

ACME-SHOREY

PRECAST CONCRETE PRODUCTS

WWW.ACMESHOREY.COM

PHONE (508) 548-9607

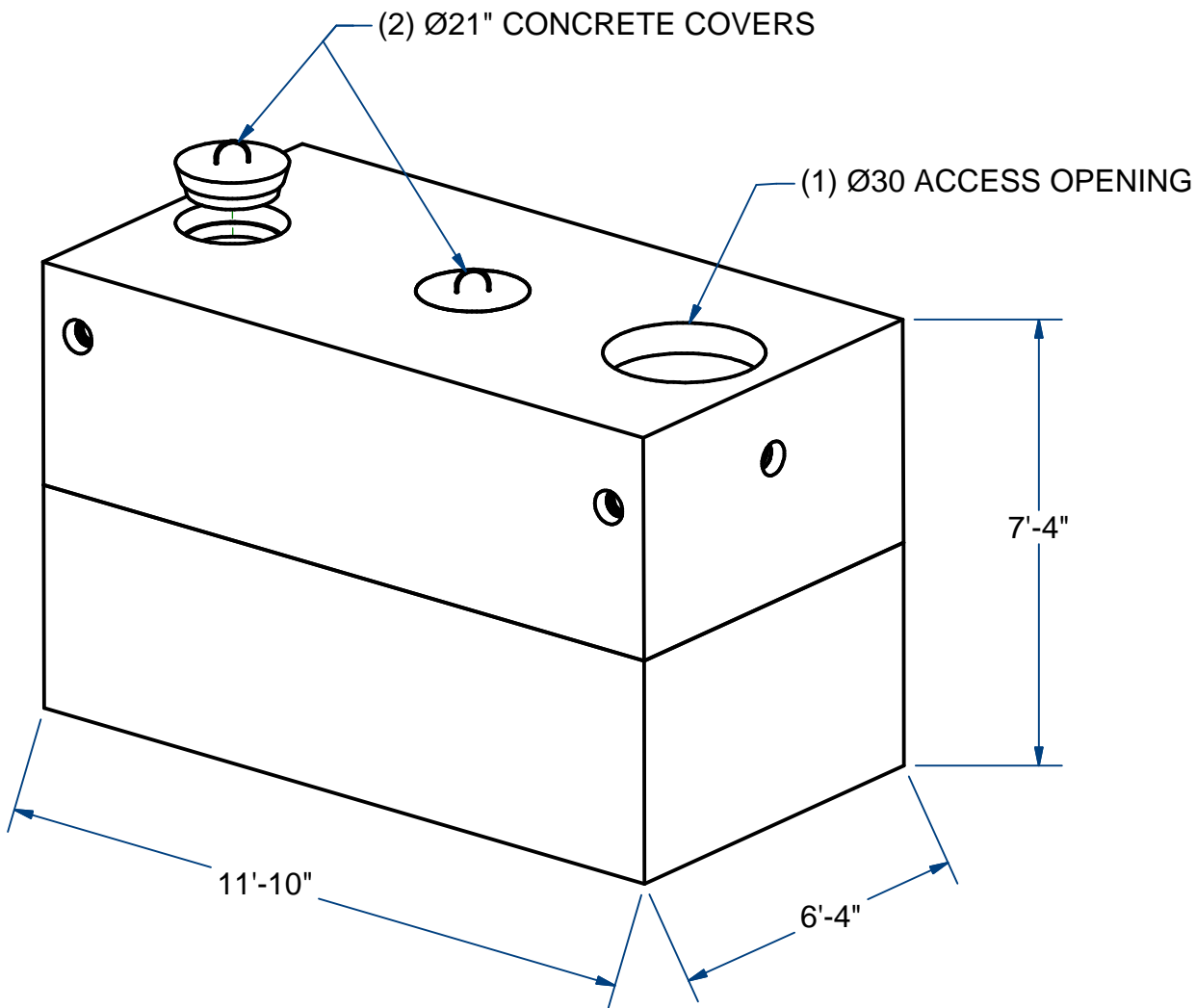
FAX (508) 548-1664

CARVER, MA
334 TREMONT STREET

HARWICH, MA
36 GREAT WESTERN ROAD

NOTES:

- 1.) SEAM SEALED WITH FLEXIBLE BUTYL RUBBER SEALANT.



PUMP CHAMBER

H10

2,500 GALLON

ITEM# PC2530

Wt. 22,750 Lbs

2 -8.2

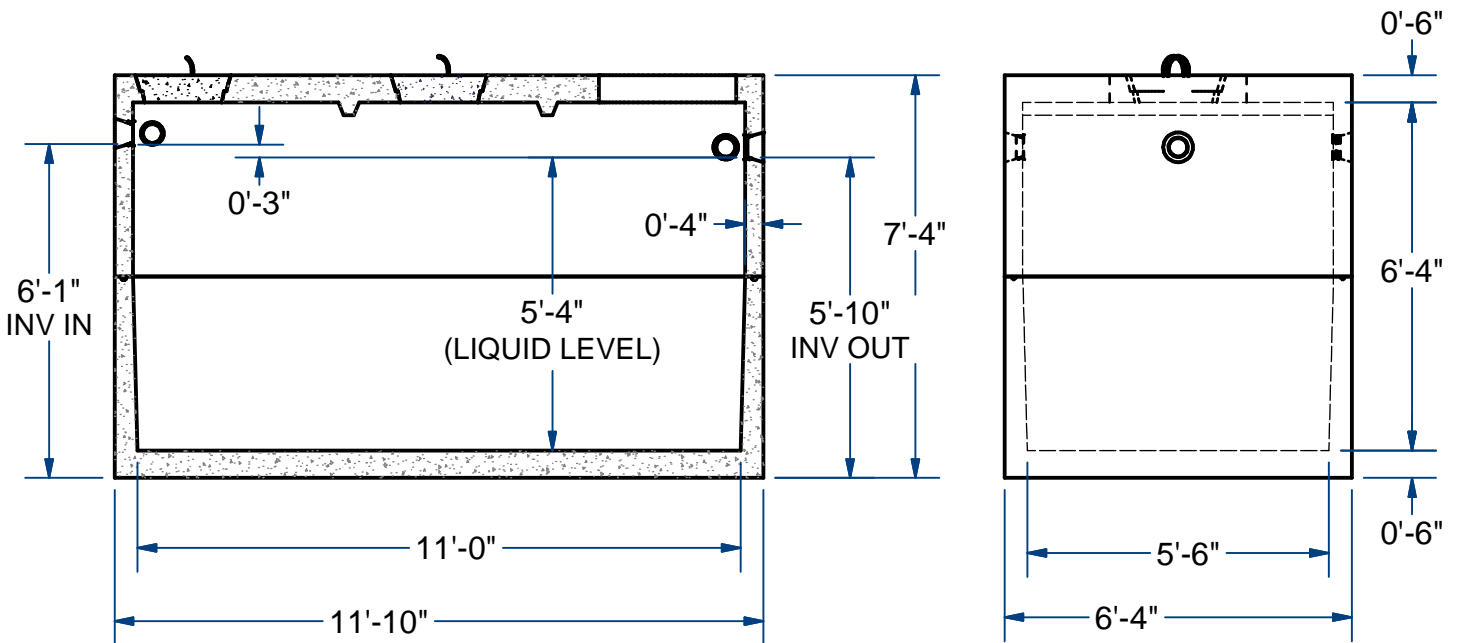
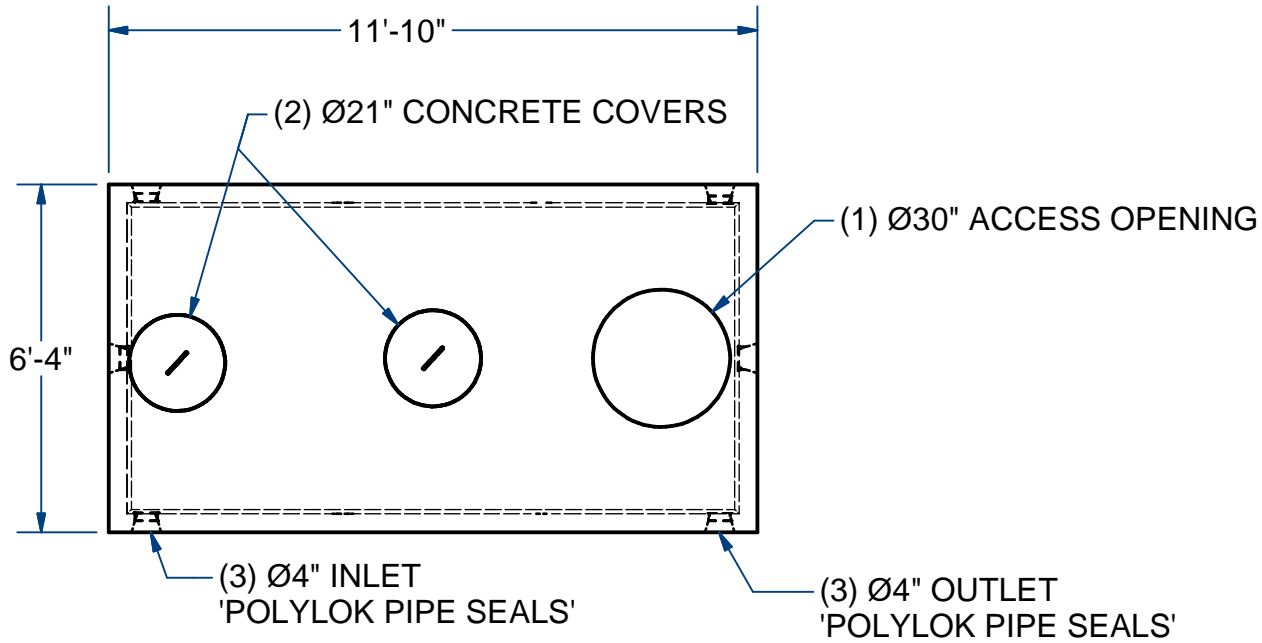
Sht 1 of 2

ACME-SHOREY

PRECAST CONCRETE PRODUCTS

NOTES:

- 1.) SEAM SEALED WITH FLEXIBLE BUTYL RUBBER SEALANT.



NAME: PUMP CHAMBER 2,500 GALLON

H-10

ITEM# PC2530

Concrete Minimum Strength: 4,000 p.s.i. at 28 days
 Steel Reinforcement: ASTM A615, Grade 60
 Design Loading: standard units - AASHTO - H10

TOP 10,750 Lbs
 BOTTOM 12,000 Lbs

S

DATE: 8-24-2018

Ch 2 Pg 8.2 Sht 2 of 2