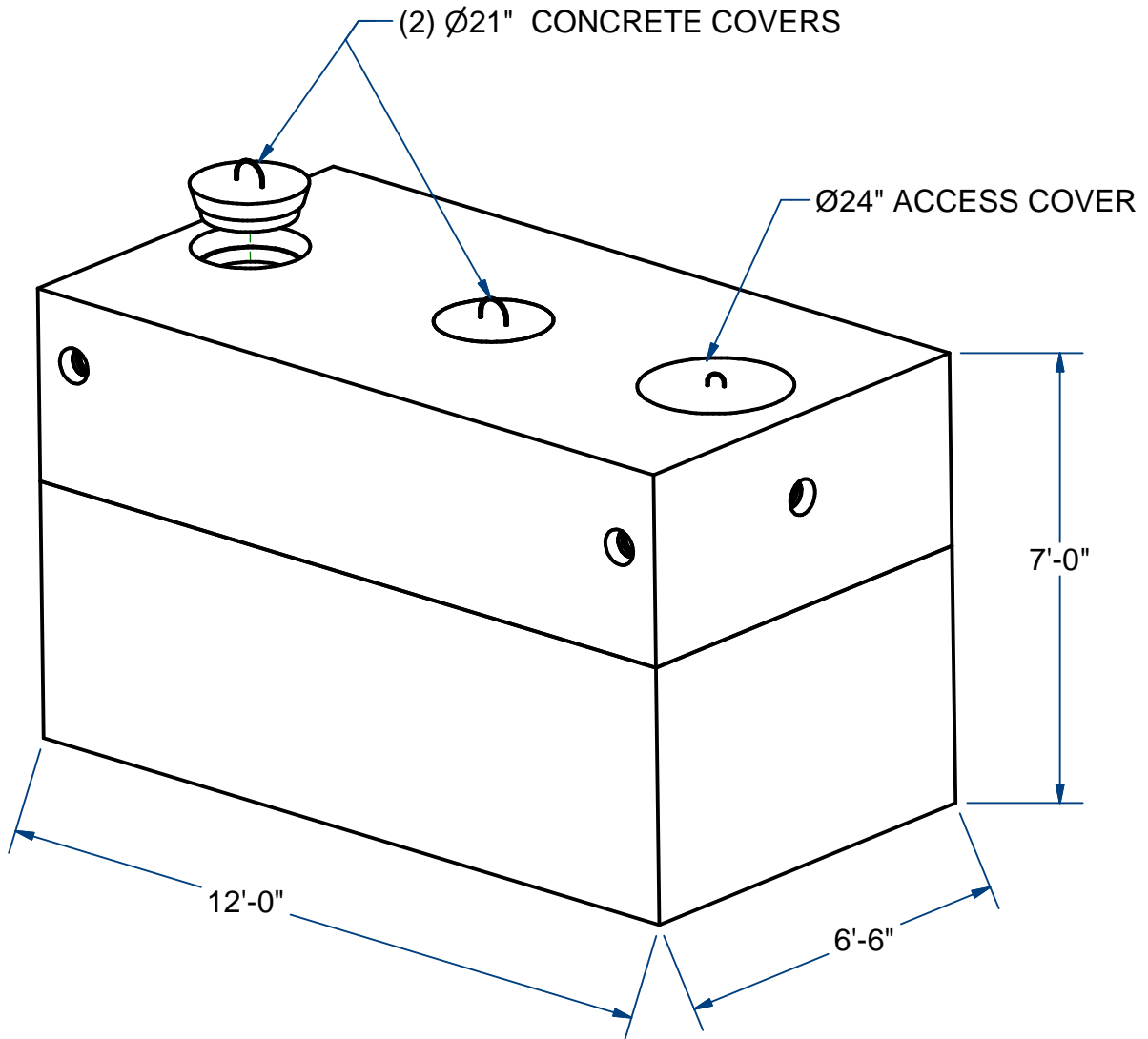


NOTES:

- 1.) SEAM SEALED WITH FLEXIBLE BUTYL RUBBER SEALANT.



PUMP CHAMBER, LOW PROFILE

H10

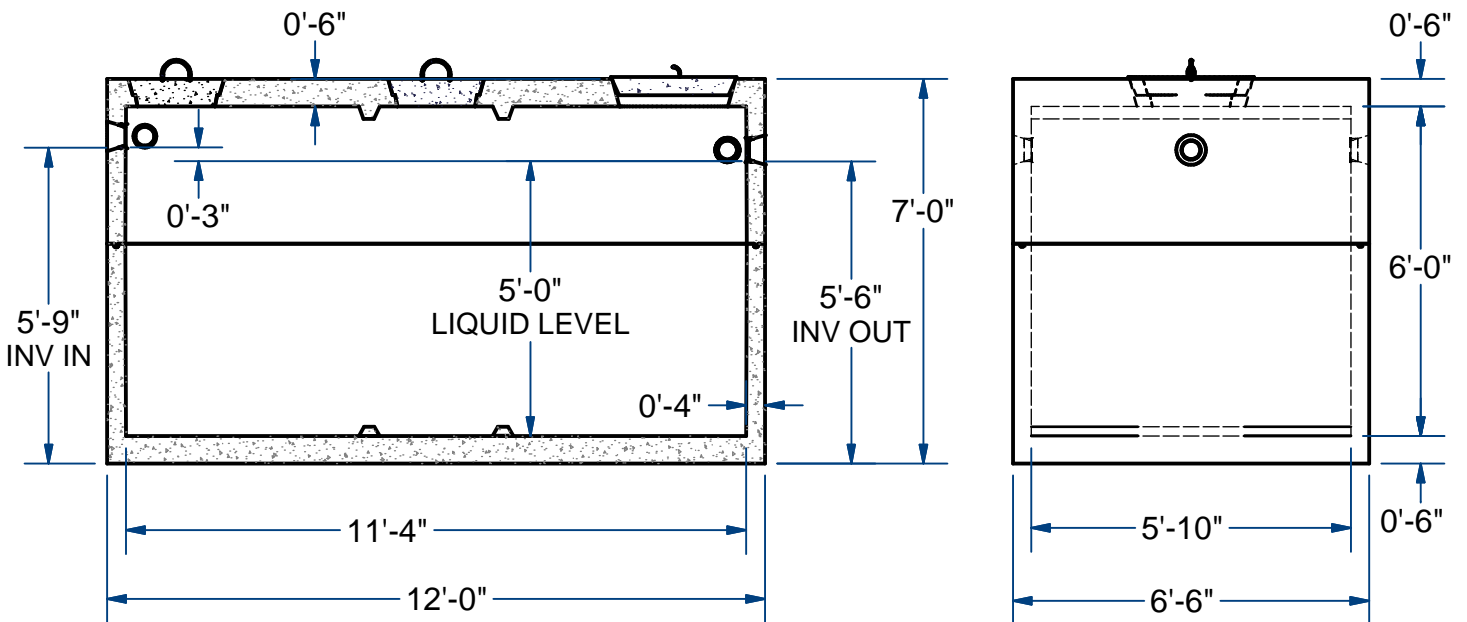
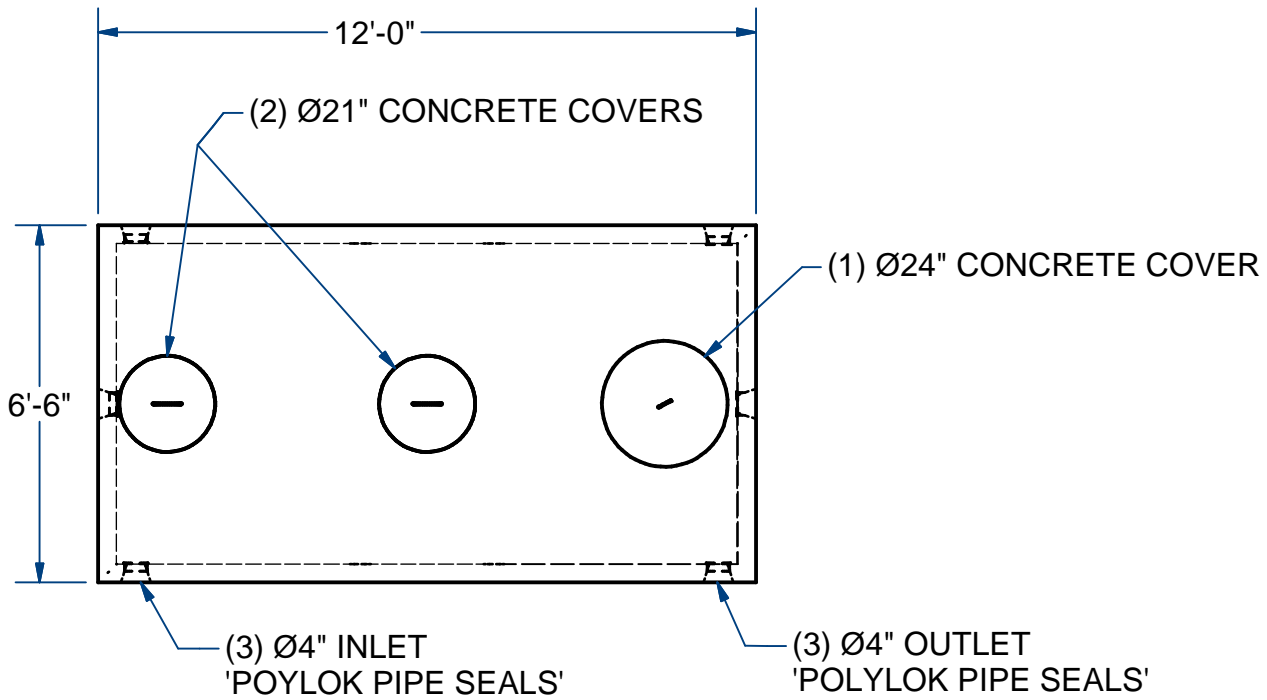
2,500 GALLON

ACME-SHOREY

PRECAST CONCRETE PRODUCTS

NOTES:

- 1.) SEAM SEALED WITH FLEXIBLE BUTYL RUBBER SEALANT.



NAME: PUMP CHAMBER, 2500G, LOW PROFILE H-10

ITEM# PC25LP

Concrete Minimum Strength: 4,000 p.s.i. at 28 days
 Steel Reinforcement: ASTM A615, Grade 60
 Design Loading: standard units - AASHTO - H10

TOP 10,500 Lbs
 BOTTOM 12,000 Lbs

A

DATE: 3-13-2018

Ch 2 Pg 7.1 Sht 2 of 2