

ACME-SHOREY

PRECAST CONCRETE PRODUCTS

WWW.ACME-SHOREY.COM

PHONE (508) 548-9607

FAX (508) 548-1664

CARVER, MA

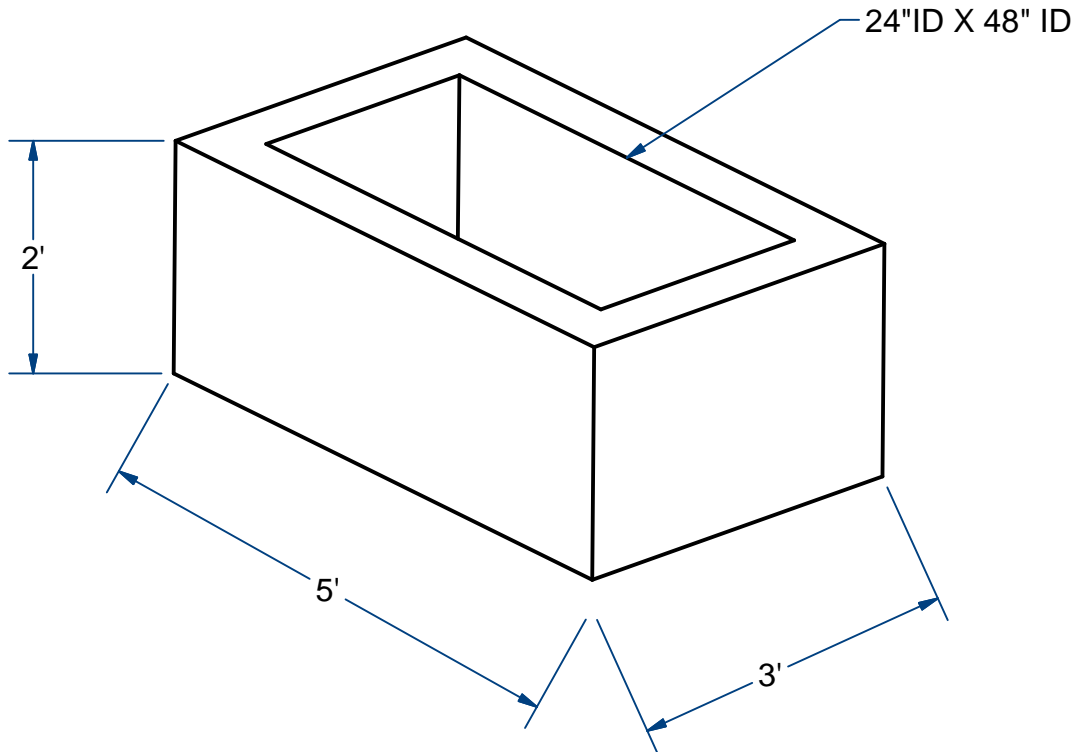
334 TREMONT STREET

HARWICH, MA

36 GREAT WESTERN ROAD

NOTES:

1.) FOR USE WITH DIDG.



RISER, DOUBLE GRATE

24" Ht

H20

ITEM# RDG24

Wt. 2,250 Lbs

18-7.10

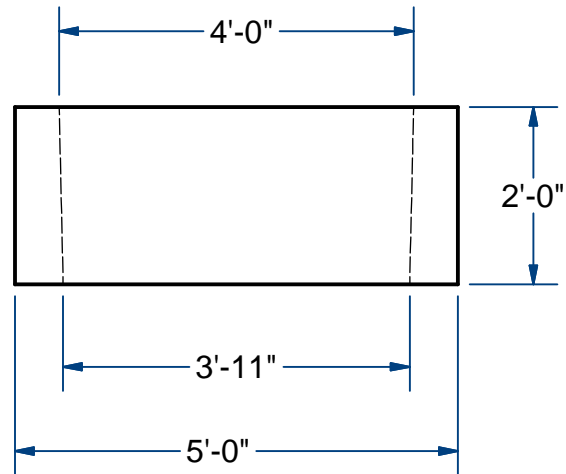
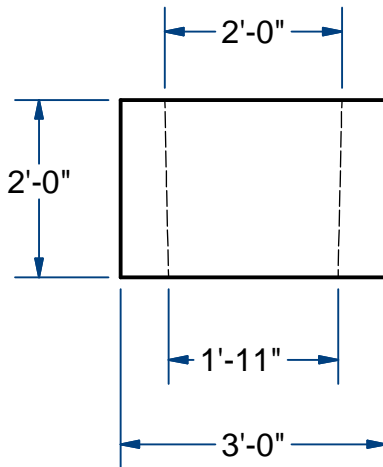
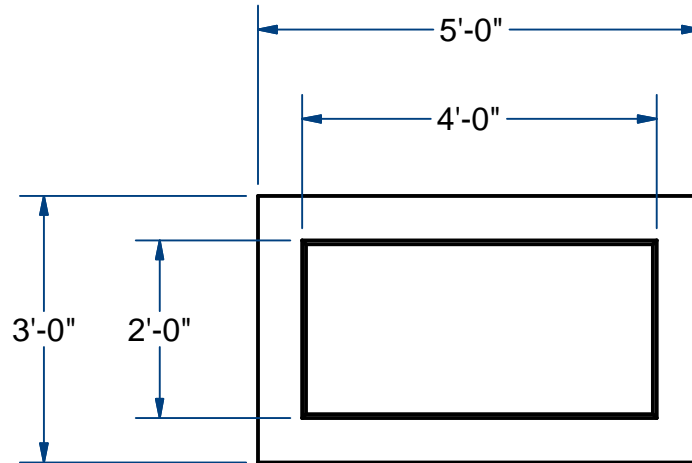
Sht 1 of 2

ACME-SHOREY

PRECAST CONCRETE PRODUCTS

NOTES:

1.) USE WITH DIDG PRODUCT.



NAME: RISER DOUBLE GRATE 24" X 48"

H-20

ITEM# RDG24

Concrete Minimum Strength: 5,000 p.s.i. at 28 days
 Steel Reinforcement: ASTM A615, Grade 60
 Design Loading: standard units - AASHTO - H20

WEIGHT 2,250 Lbs

C

DATE: 11-8-20

Ch 18 Pg 7.10 Sht 2 of 2