

ACME-SHOREY

PRECAST CONCRETE PRODUCTS

WWW.ACMESHOREY.COM

PHONE (508) 548-9607

FAX (508) 548-1664

CARVER, MA

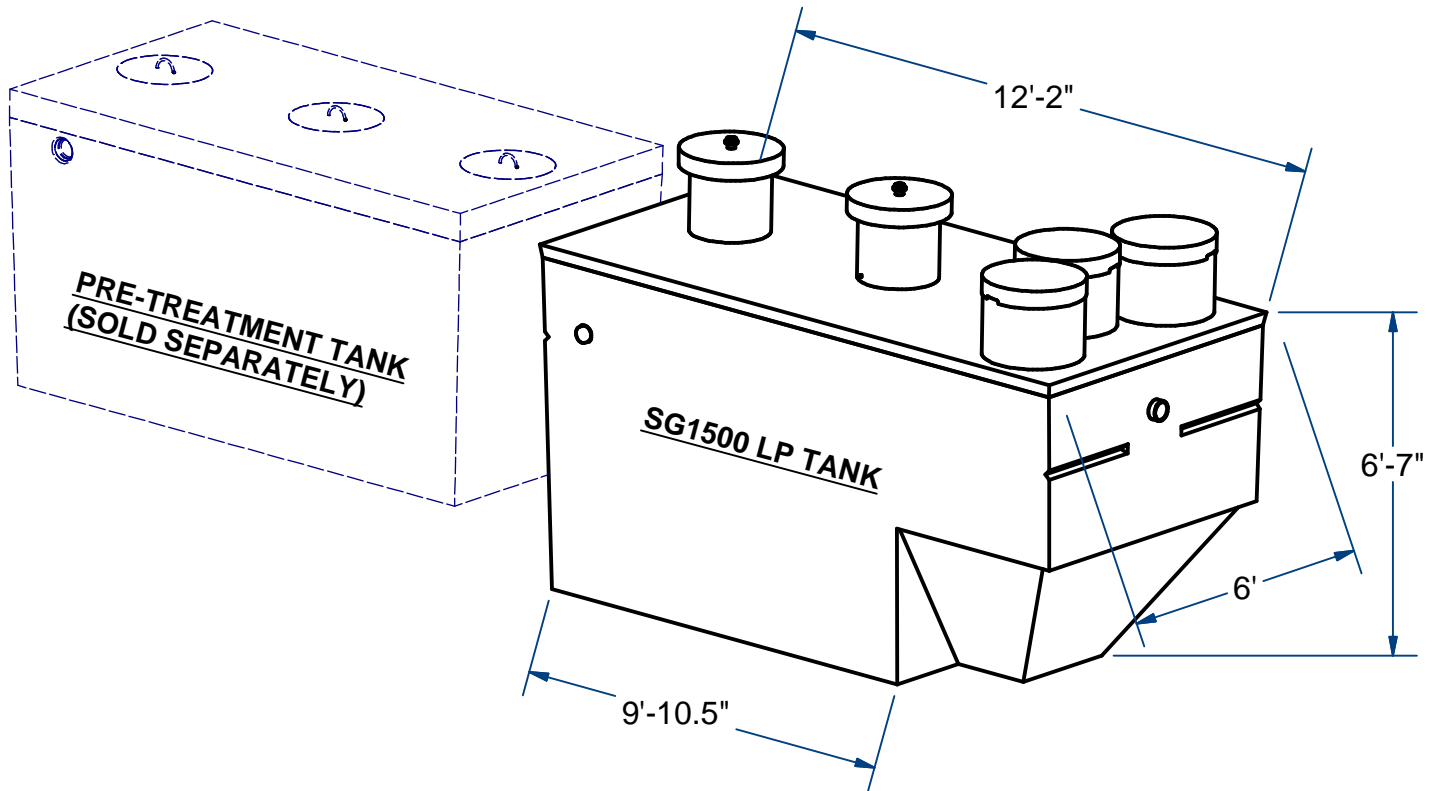
334 TREMONT STREET

HARWICH, MA

36 GREAT WESTERN ROAD

NOTES:

- 1.) SEAM SEALED WITH FLEXIBLE BUTYL RUBBER SEALANT.
- 2.) ALL RISERS & COVERS IN ADDITIONAL SGRPKG1500.
- 3.) WASTEWATER TREATMENT SYSTEM (MODEL#960-1500LP).
- 4.) TEES & FITTINGS TO BE SUPPLIED BY CONTRACTOR.
- 5.) PRE-TREATMENT TANK SOLD SEPARATELY.



SINGULAIR BIO-KINETIC TANK (LOW PROFILE)

1500 G.P.D.

H10

FOR PROCESS INFO
PLEASE CONTACT:

DISTRIBUTOR
SES WASTEWATER
Norton, Ma 02766
(888) 999-1389
www.seswastewater.com

norweco

ITEM# **SG1500LP**

Wt. 19,250 Lbs

7 -3.6a

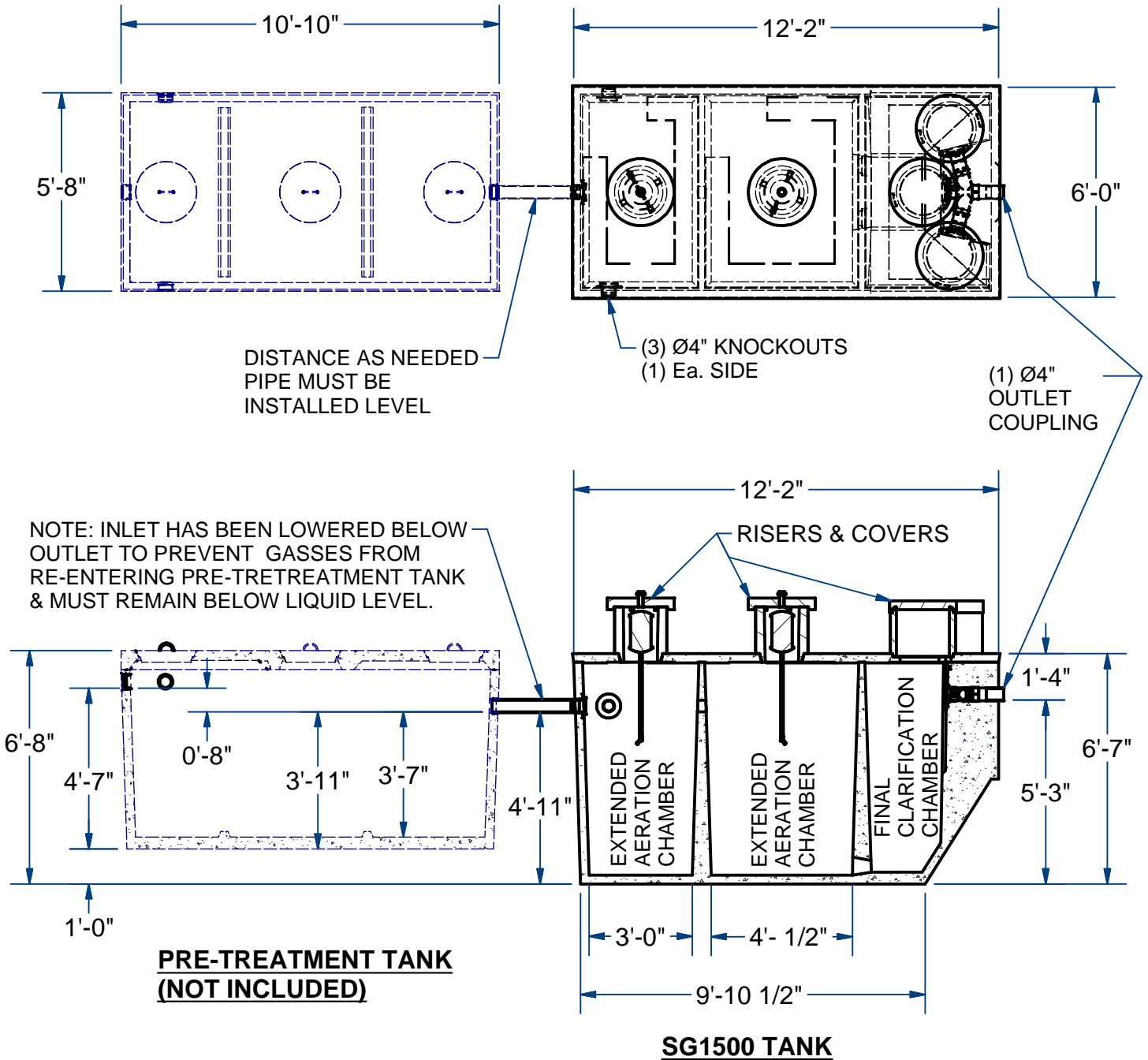
Sht 1 of 2

ACME-SHOREY

PRECAST CONCRETE PRODUCTS

NOTES:

- 1.) SEAM SEALED WITH FLEXIBLE BUTYL RUBBER SEALANT.
- 2.) ALL RISERS & COVERS IN ADDITIONAL SGRPKG1500.
- 3.) WASTEWATER TREATMENT SYSTEM (MODEL#960-1500LP).
- 4.) TEES & FITTINGS TO BE SUPPLIED BY CONTRACTOR.
- 5.) SG1500 PRE-TREATMENT TANK SOLD SEPARATELY.



NAME: SINGULAR BIO-KINETIC TANK1500 G.P.D. H-10

ITEM# SG1500LP

Concrete Minimum Strength: 4,000 p.s.i. at 28 days
 Steel Reinforcement: ASTM A615, Grade 60
 Design Loading: standard units - AASHTO - H10

Base	16,500	Lbs
Flat Top	2,750	Lbs
Total	19,250	Lbs

C **DATE: 3-31-2020**
 Ch 7 Pg 3.6a Sht 2 of 2