

ACME-SHOREY

PRECAST CONCRETE PRODUCTS

WWW.ACME-SHOREY.COM

PHONE (508) 548-9607

FAX (508) 548-1664

CARVER, MA

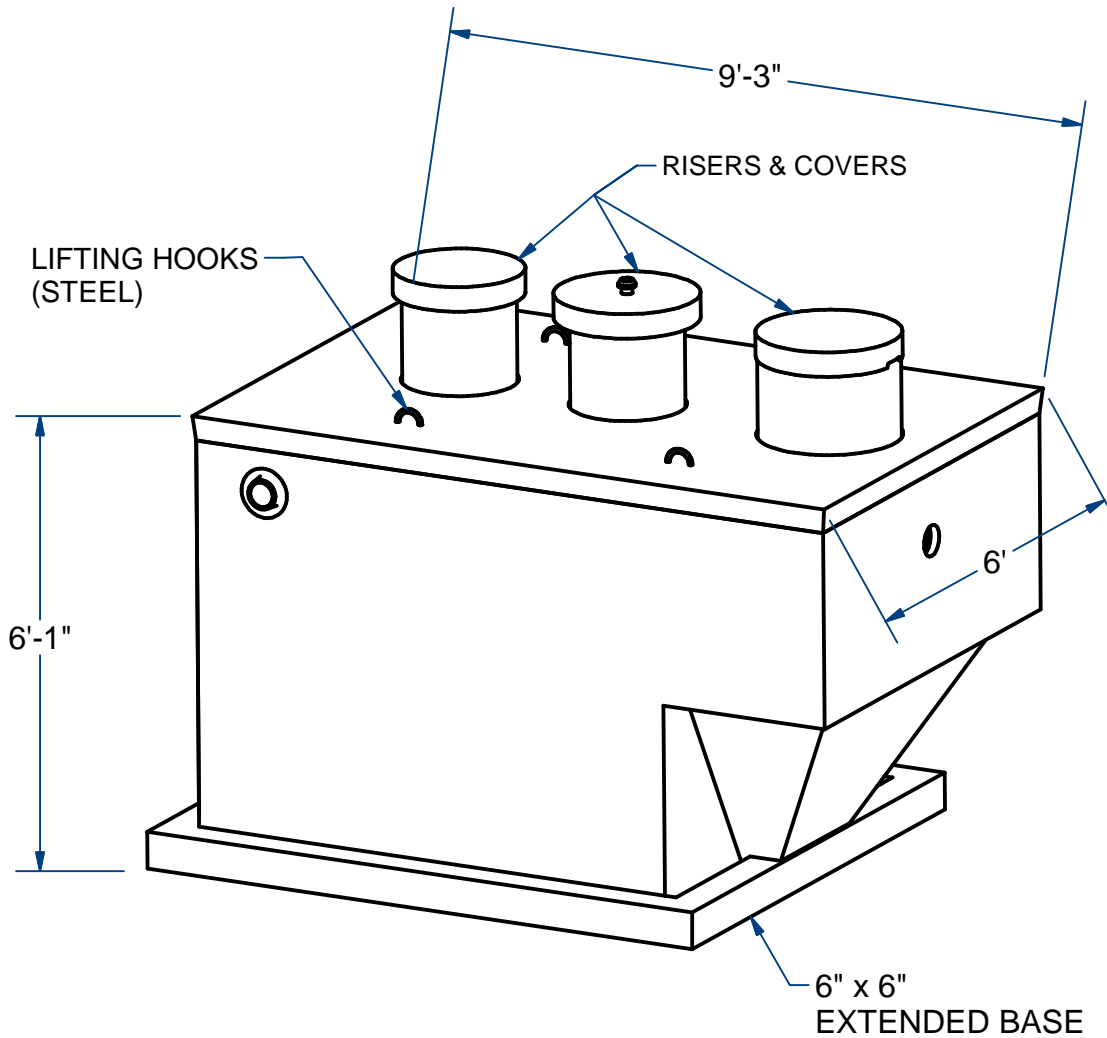
334 TREMONT STREET

HARWICH, MA

36 GREAT WESTERN ROAD

NOTES:

- 1.) SEAM SEALED WITH FLEXIBLE BUTYL RUBBER SEALANT.
- 2.) RISERS & COVERS IN SGRPK500.




SINGLAIR BIO-KINETIC MONO TANK W/EXTENDED BASE

500 / 600 G.P.D.

H10

FOR PROCESS INFO
PLEASE CONTACT:

DISTRIBUTOR
SES WASTEWATER 
Norton, Ma 02766
(888) 999-1389
www.seswastewater.com

ITEM# **SG500MEB**

Wt. 15,200 Lbs

7 -3.1a

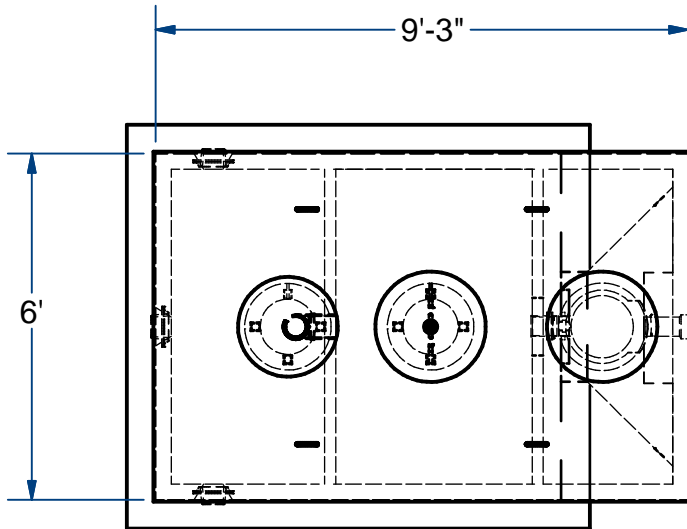
Sht 1 of 2

ACME-SHOREY

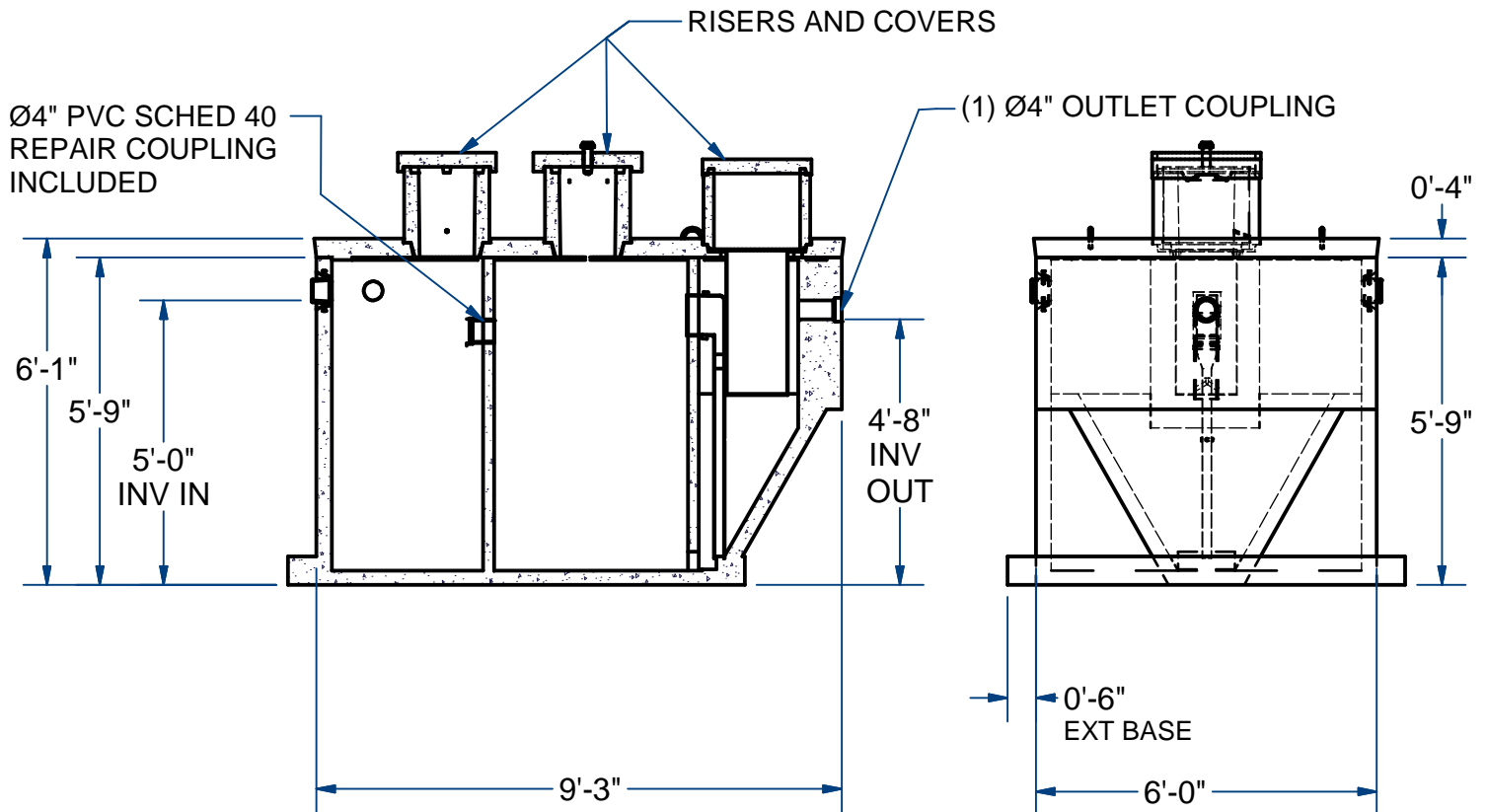
PRECAST CONCRETE PRODUCTS

NOTES:

- 1.) SEAM SEALED WITH FLEXIBLE BUTYL RUBBER SEALANT.
- 2.) ALL RISERS & COVERS IN SGRP500.
- 3.) WASTEWATER TREATMENT SYSTEM (MODEL#960-500).
- 4.) TEES & FITTINGS TO BE INSTALLED BY CONTRACTOR.



Each	Ht	wt.(Lbs)
Top	4"	3,000
Bottom	5'-9"	11,000
Ext Base	6x6	1,200
		15,200



NAME: SINGULAIR BIO-KINETIC MONO TANK
(500 / 600 GPD UNIT)

H-10 ITEM# SG500MEB

Concrete Minimum Strength: 4,000 p.s.i. at 28 days
Steel Reinforcement: ASTM A615, Grade 60
Design Loading: standard units - AASHTO - H10

TOP 3,000 Lbs
BOTTOM 12,200 Lbs

C DATE: 11-16-22
Ch 7 Pg 3.1a Sht 2 of 2