

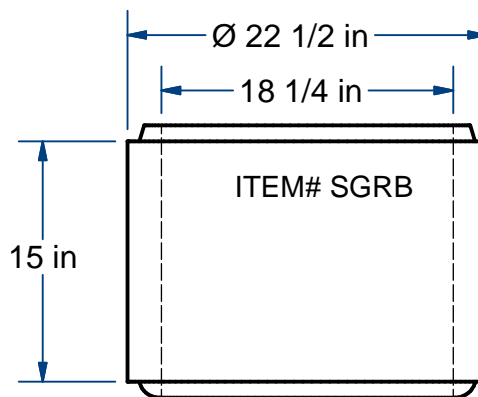
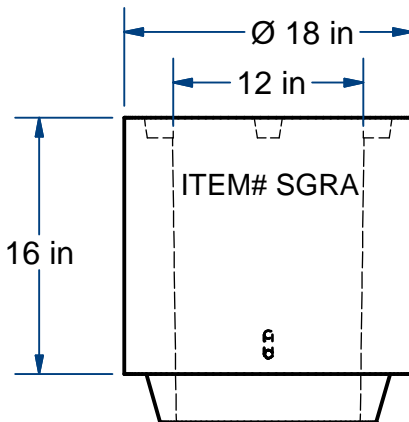
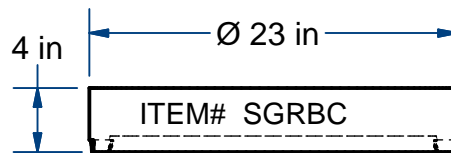
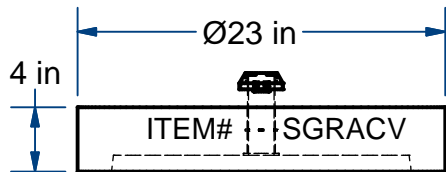
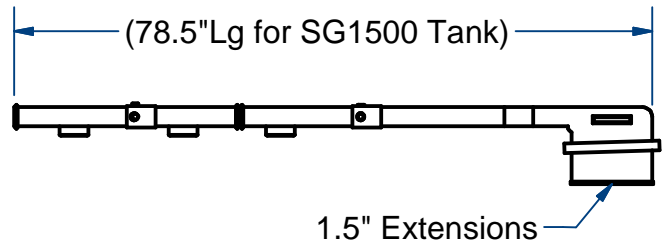
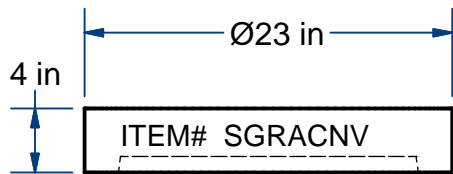
ACME-SHOREY

PRECAST CONCRETE PRODUCTS

NOTES:

- 1.) AERATOR RISER REQUIRES VENTED COVER ONLY WHEN AERATOR MOTOR IS USED. THE # OF MOTORS REQUIRED DEPENDS ON SIZE OF SYSTEM. THE 500 GPD SYSTEM REQUIRES ONLY (1) MOTOR & (1) COVER.
- 2.) OPTIONAL SECOND LEVEL ADDITIONAL RISERS-SEE SHEET#2.
- 3.) SLUDGE TUBE SENT IN TANK (NOT IN PALLET).

RISER PACKAGE						SG1500
Part#	Description of Parts	Lbs	ID	OD	Ht.	Qty
SGRA	AERATOR RISER	216	Ø 12"	Ø18"O.D.	16"	2
SGRACV	VENTED COVER (FOR SGRA w/Motors)	120	n/a	Ø23	4"	2
SGRACNV	NonVented COVER (FOR SGRA)	120	n/a	Ø23	4"	n/a
SGRAR	AERATOR RISER- 2ND LEVEL STACKING	120	Ø 16.5"	Ø20.5"O.D.	12"	Optional
SGRB	FILTER BASKET RISER	190	Ø 18.25"	22.5"O.D.	15"	3
SGRBC	COVER (FOR RISER SGRB)	115	n/a	Ø23	4"	3
SGRBR	FILTER BASKET RISER- 2ND LEVEL STACKING	140	Ø 18.25"	Ø22.5"O.D.	12"	Optional
ST	SLUDGE TUBES				n/a	2 @ 78.5"Lg
STE	S.T. EXTENSIONS				1.5"	2



NAME: RISER PACKAGE-SG1500 SINGULAR TANKS H-10 ITEM# SGRPK1500

Concrete Minimum Strength: 4,000 p.s.i. at 28 days
 Steel Reinforcement: ASTM A615, Grade 60
 Design Loading: standard units - AASHTO - H10

SEE GRID FOR WEIGHTS

C

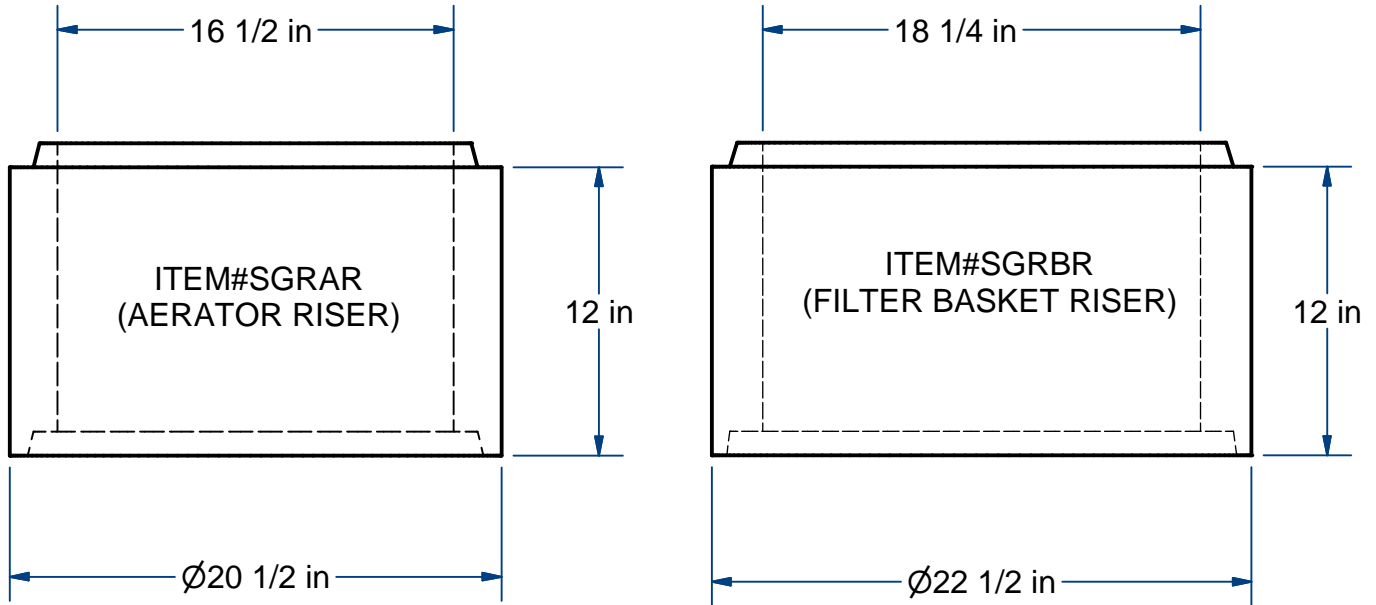
DATE: 5-7-2021

Ch 7 Pg 3.6b Sht 1 of 2

X

NOTES:

- 1.) SGRAR AERATOR RISERS CAN STACK AS NEEDED AND USE THE SAME COVERS (VENTED #SGRACV OR NONVENTED #SGRACNV).
- 2.) SGRBR BASKET RISERS CAN STACK AS NEEDED AND USE THE SAME COVER(SGRBC).
- 3.) THESE RISERS ARE MADE TO BE STACKED ON TOP OF SINGLAIR RISERS AND NOT DIRECTLY ON TANK.THEY MAY BE STACKED AS NEEDED AFTER INSTALLATION OF THE STANDARD SINGLAIR RISERS ON SHEET #1.



SINGLAIR RISERS,SECOND LEVEL

H10

12" STACK Ht.