

# ACME-SHOREY

PRECAST CONCRETE PRODUCTS

WWW.ACMESHOREY.COM

PHONE (508) 548-9607

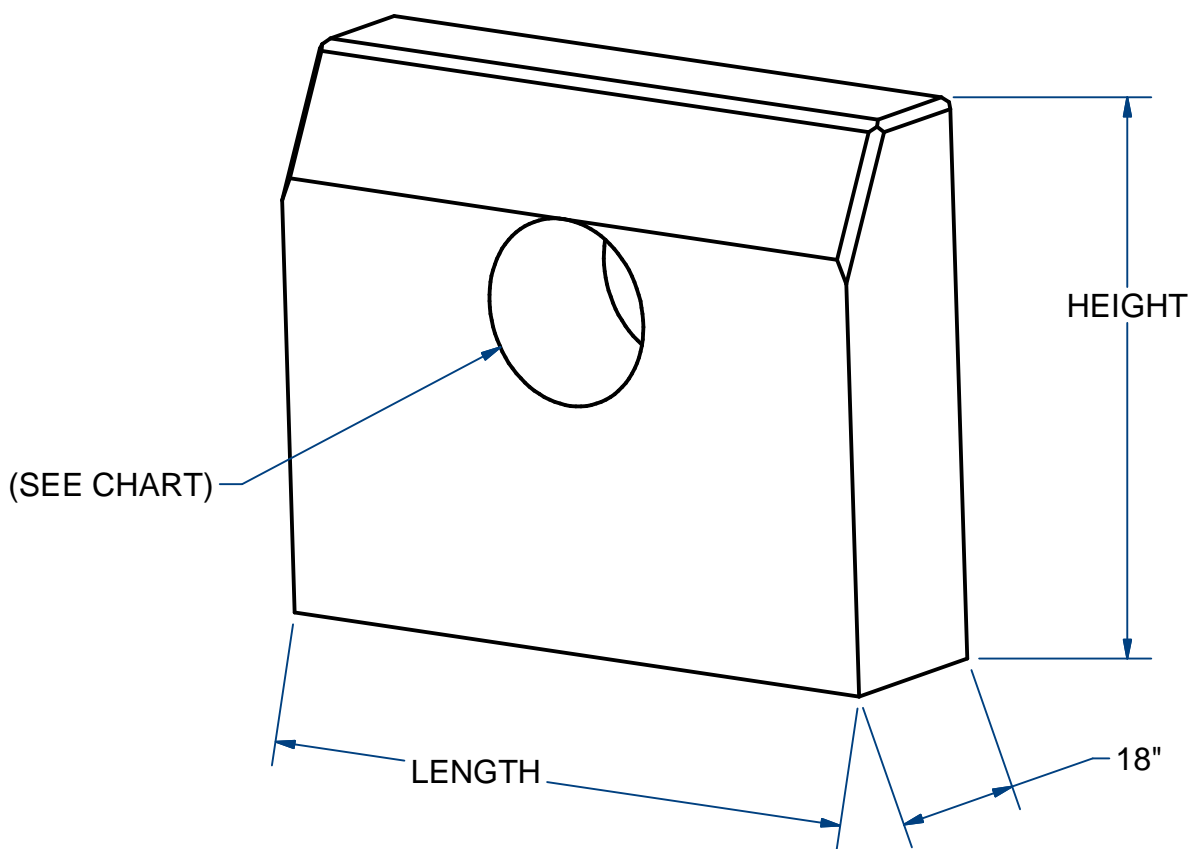
FAX (508) 548-1664

CARVER, MA  
334 TREMONT STREET

HARWICH, MA  
36 GREAT WESTERN ROAD

### NOTES:

- 1.) SEE CHART FOR STD SIZING
- 2.) OPTIONAL SIZES AVAILABLE UPON REQUEST



## STRAIGHT HEAD WALL

H20

18" THICK WALL

ITEM# SHW

Wt. TBD Lbs

16 -1.1-1.5

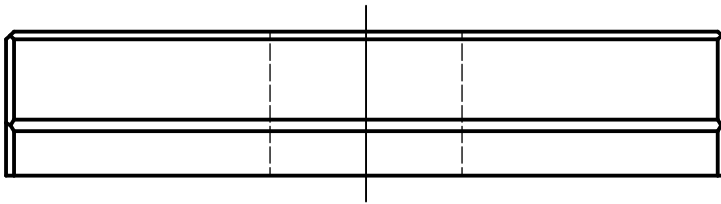
Sht 1 of 2

# ACME-SHOREY

PRECAST CONCRETE PRODUCTS

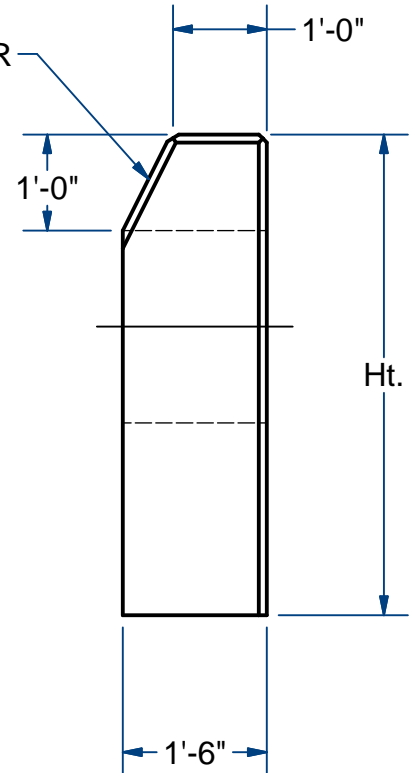
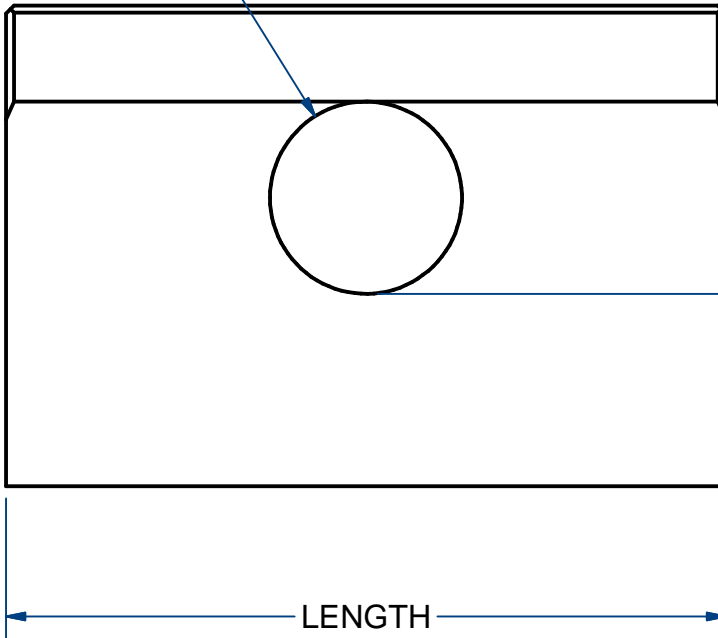
NOTES:  
1.) OPTIONAL SIZES AVAILABLE UPON REQUEST.

ITEM	LENGTH	Ht	HOLE INVERT	PIPE SIZE	HOLE DIAMETER	Wt.(lbs)	Sct.
SHW12-18	66"	54"	24"	12" RCP	18"	5,000	16 - 1.1
SHW15-22	90"	60"	26"	15" RCP	22"	7,600	16 - 1.2
SHW18-24	90"	60"	24"	18" RCP	24"	7,500	16 - 1.3
SHW24-32	126"	68"	24"	24" RCP	32"	11,750	16 - 1.4
SHW30-40	126"	76"	24"	30" RCP	40"	12,750	16 - 1.5



HOLE DIAMETER

1" x 45° CHAMFER



**NAME: STRAIGHT HEAD WALL**

**H-20**

**ITEM# SHW**

Concrete Minimum Strength: 5,000 p.s.i. at 28 days  
Steel Reinforcement: ASTM A615, Grade 60  
Design Loading: standard units - AASHTO - H20

WEIGHT TBD

Lbs

C

DATE: 5-9-18

Ch 16 Pg 1.1-1.5 Sht 2 of 2