

ACME-SHOREY

PRECAST CONCRETE PRODUCTS

WWW.ACME-SHOREY.COM

PHONE (508) 548-9607

FAX (508) 548-1664

CARVER, MA

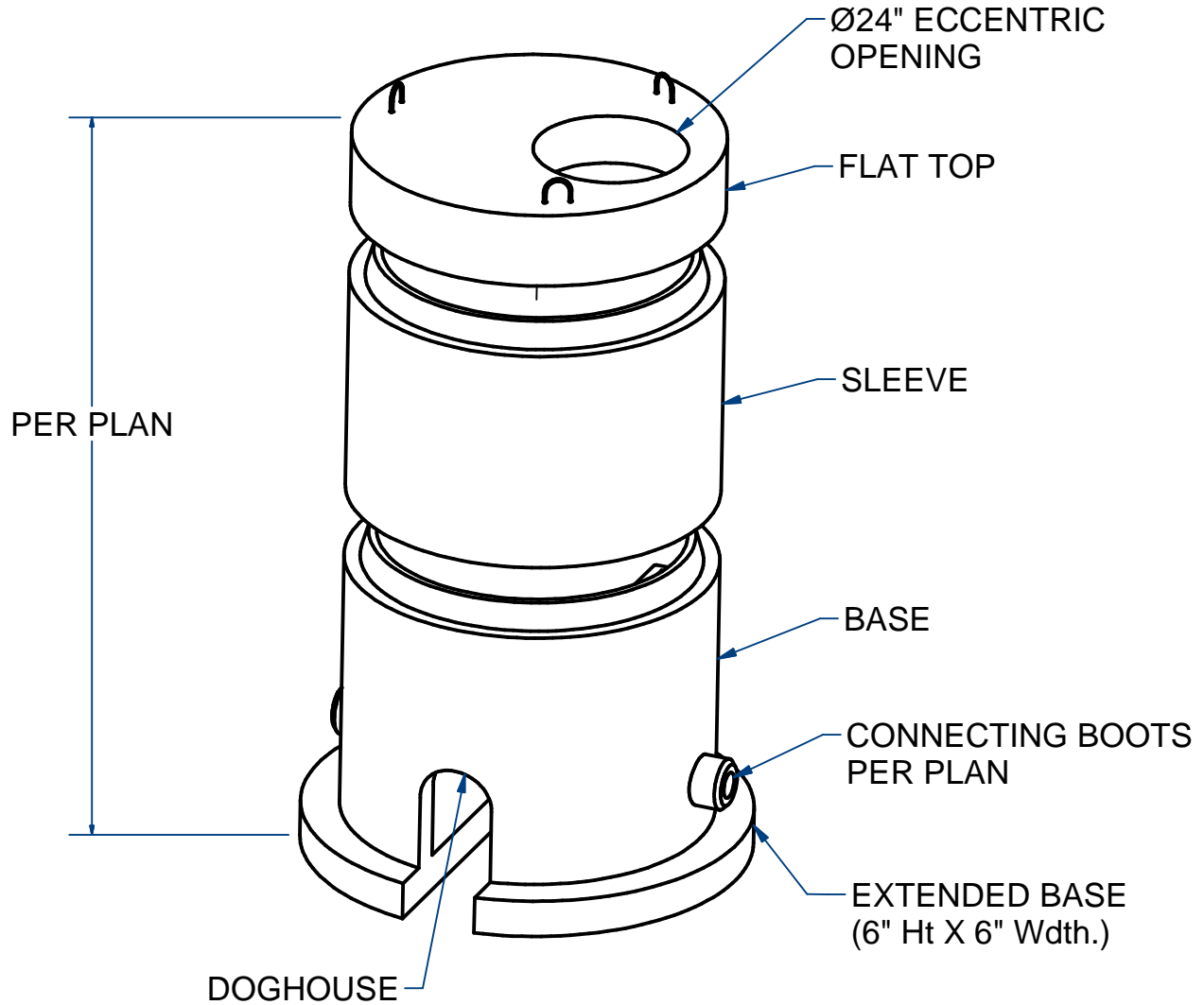
334 TREMONT STREET

HARWICH, MA

36 GREAT WESTERN ROAD

NOTES:

- 1.) SEAM SEALED WITH FLEXIBLE BUTYL RUBBER SEALANT.



SEWER MANHOLE, 4' ID ECCENTRIC FLAT TOP EXT BASE, W/ DOGHOUSE H20

ITEM# SMH4EBDH

Wt. T.B.D. Lbs

18-1.34

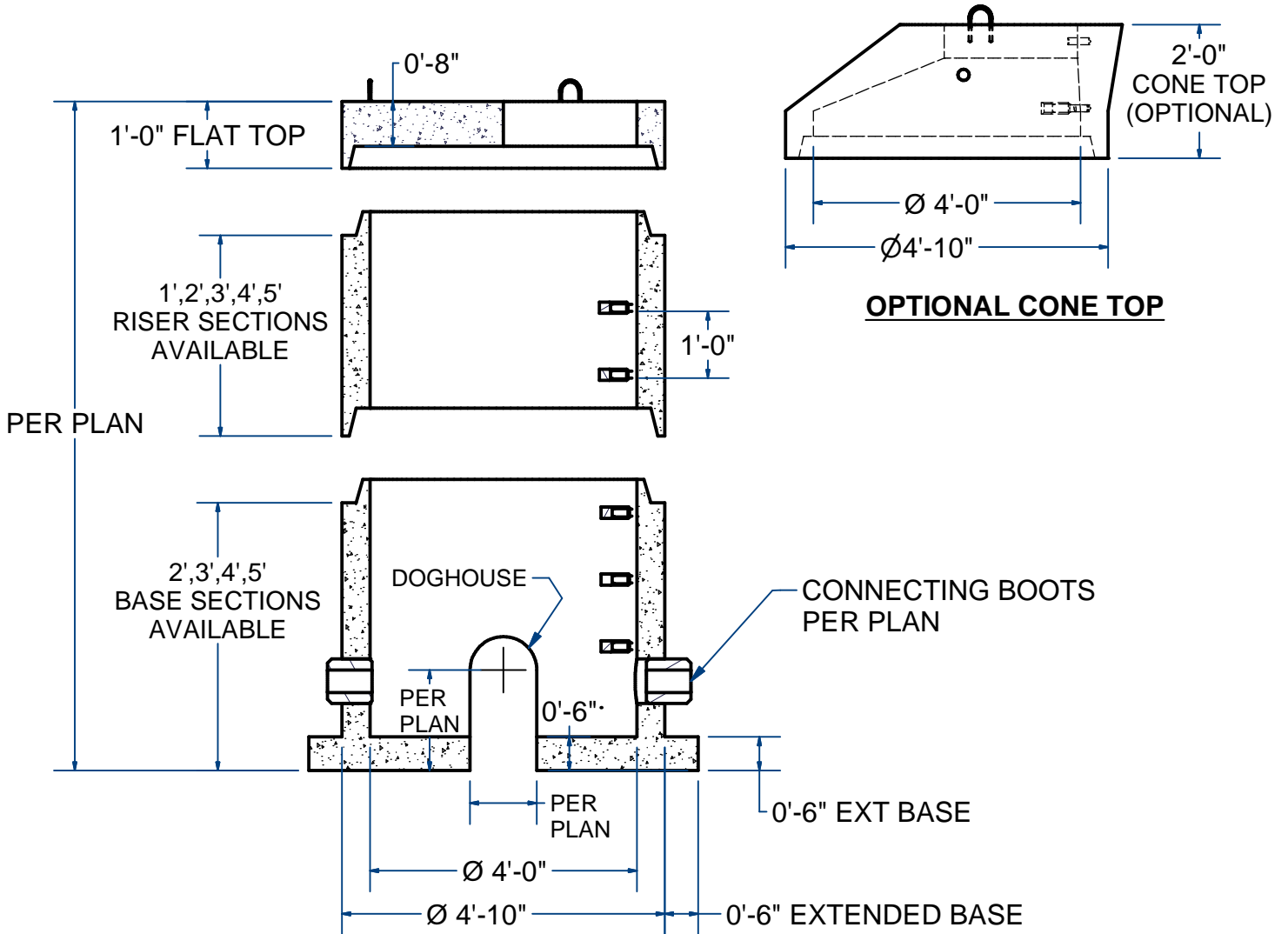
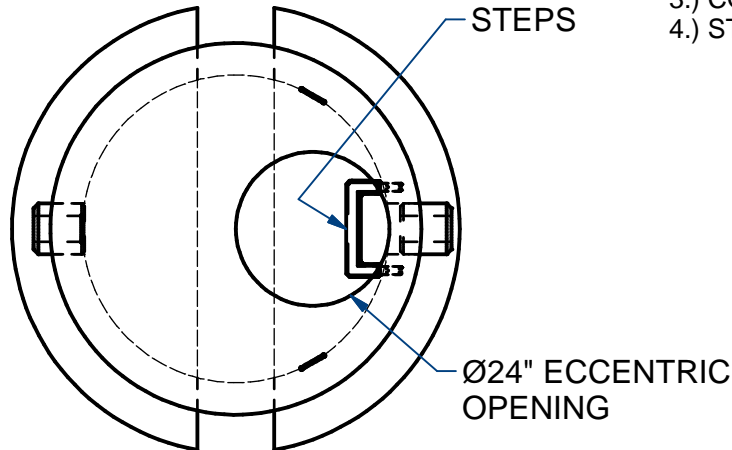
Sht 1 of 2

ACME-SHOREY

PRECAST CONCRETE PRODUCTS

NOTES:

- 1.) SEAM SEALED WITH FLEXIBLE BUTYL RUBBER SEALANT.
- 2.) TAR COATING CONSEAL CS-55
- 3.) CONNECTING BOOTS
- 4.) STEPS PER ASTM C-478



NAME: SEWER MANHOLE, 4' ID FLAT TOP
(Ø24" ECCENTRIC OPENING, EXT BASE W/DOGHOUSE)

H-20

ITEM# SMH4EBDH

CONCRETE MIN. STRENGTH: 5,000 PSI @ 28 DAYS
STEEL REINFORCEMENT: ASTM A615, GRADE 60
DESIGN LOADING: STANDARD UNITS-AASHTO-H20

MANHOLES DESIGNED & FABRICATED
IN ACCORDANCE WITH AND CONFORMING TO
ASTM C478 PRECAST CONCRETE
MANHOLE SECTIONS.

CH

DATE: 11-3-2020