

# ACME-SHOREY

PRECAST CONCRETE PRODUCTS

WWW.ACME-SHOREY.COM

PHONE (508) 548-9607

FAX (508) 548-1664

CARVER, MA

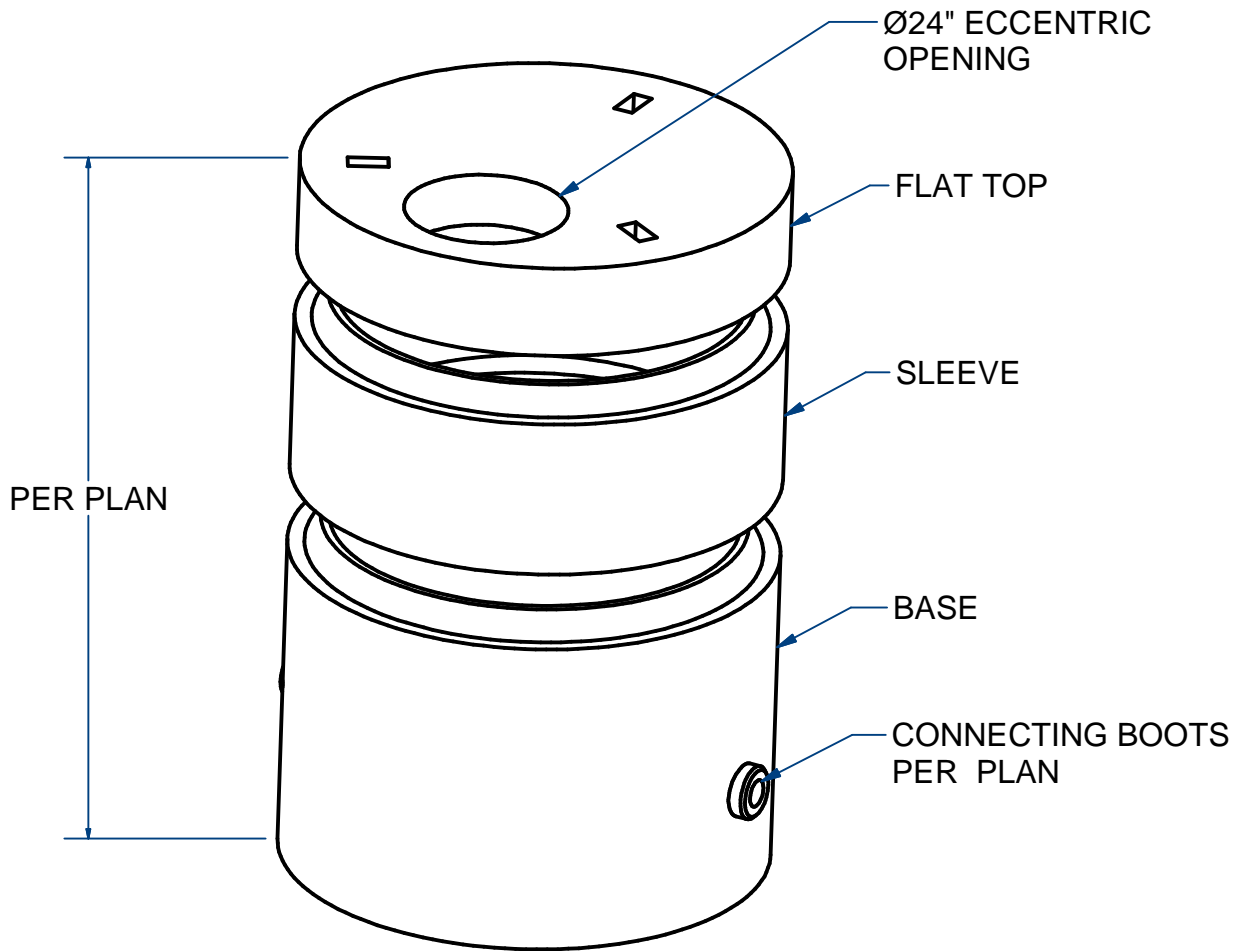
334 TREMONT STREET

HARWICH, MA

36 GREAT WESTERN ROAD

## NOTES:

- 1.) SEAM SEALED WITH FLEXIBLE BUTYL RUBBER SEALANT.



## SEWER MANHOLE , 5'ID ECCENTRIC FLAT TOP

H20

ITEM# SMH5EFT24

Wt. TBD Lbs

18-2.30

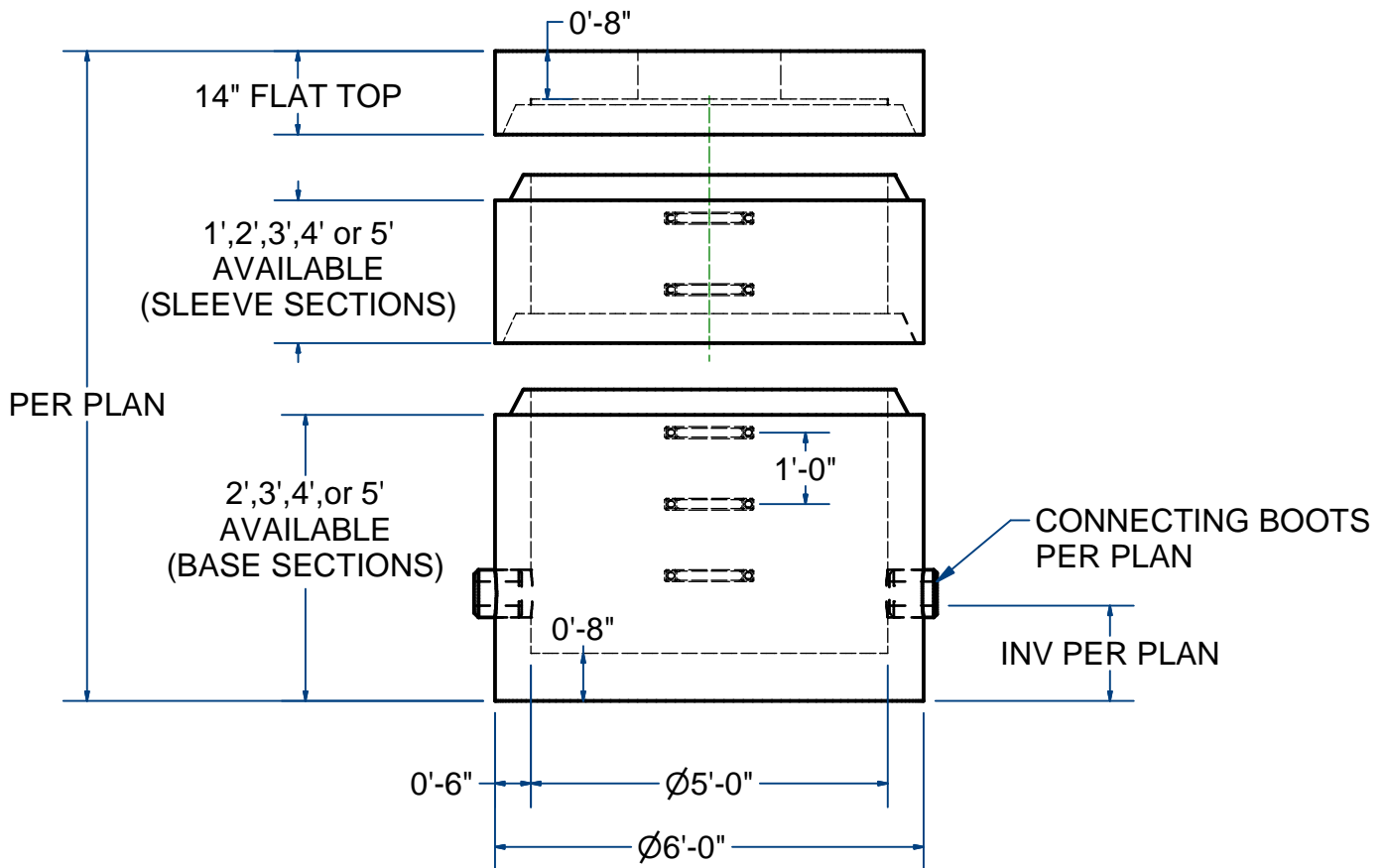
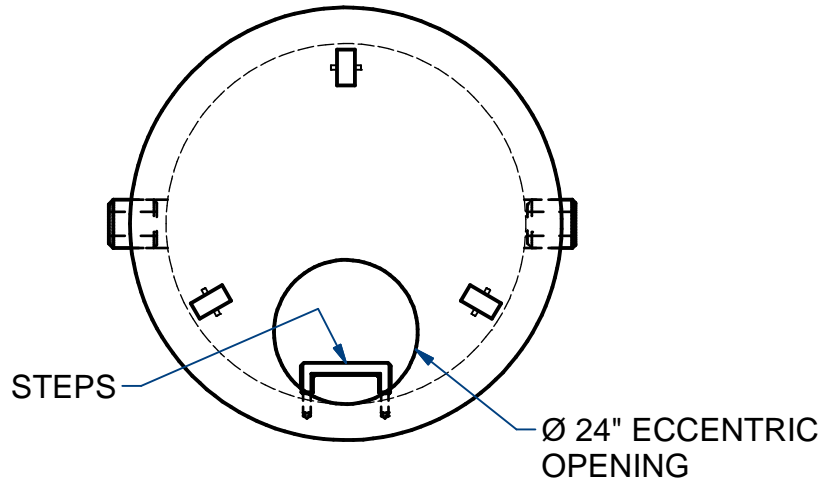
Sht 1 of 2

# ACME-SHOREY

PRECAST CONCRETE PRODUCTS

**NOTES:**

- 1.) SEAM SEALED WITH FLEXIBLE BUTYL RUBBER SEALANT.
- 2.) TAR COATING CONSEAL CS-55
- 3.) CONNECTING BOOTS
- 4.) STEPS PER ASTM C-478



**NAME: SEWER MANHOLE 5' ID, FLAT TOP**  
(Ø24" ECCENTRIC OPENING)

**H-20**

**ITEM# SMH5EFT24**

CONCRETE MIN. STRENGTH: 5,000 PSI @ 28 DAYS  
STEEL REINFORCEMENT: ASTM A615, GRADE 60  
DESIGN LOADING: STANDARD UNITS-AASHTO-H20

MANHOLES DESIGNED & FABRICATED  
IN ACCORDANCE WITH AND CONFORMING  
TO ASTM C478 PRECAST CONCRETE  
MANHOLE SECTIONS.

**C**

DATE: 9-17-20