

# ACME-SHOREY

PRECAST CONCRETE PRODUCTS

WWW.ACME-SHOREY.COM

PHONE (508) 548-9607

FAX (508) 548-1664

CARVER, MA

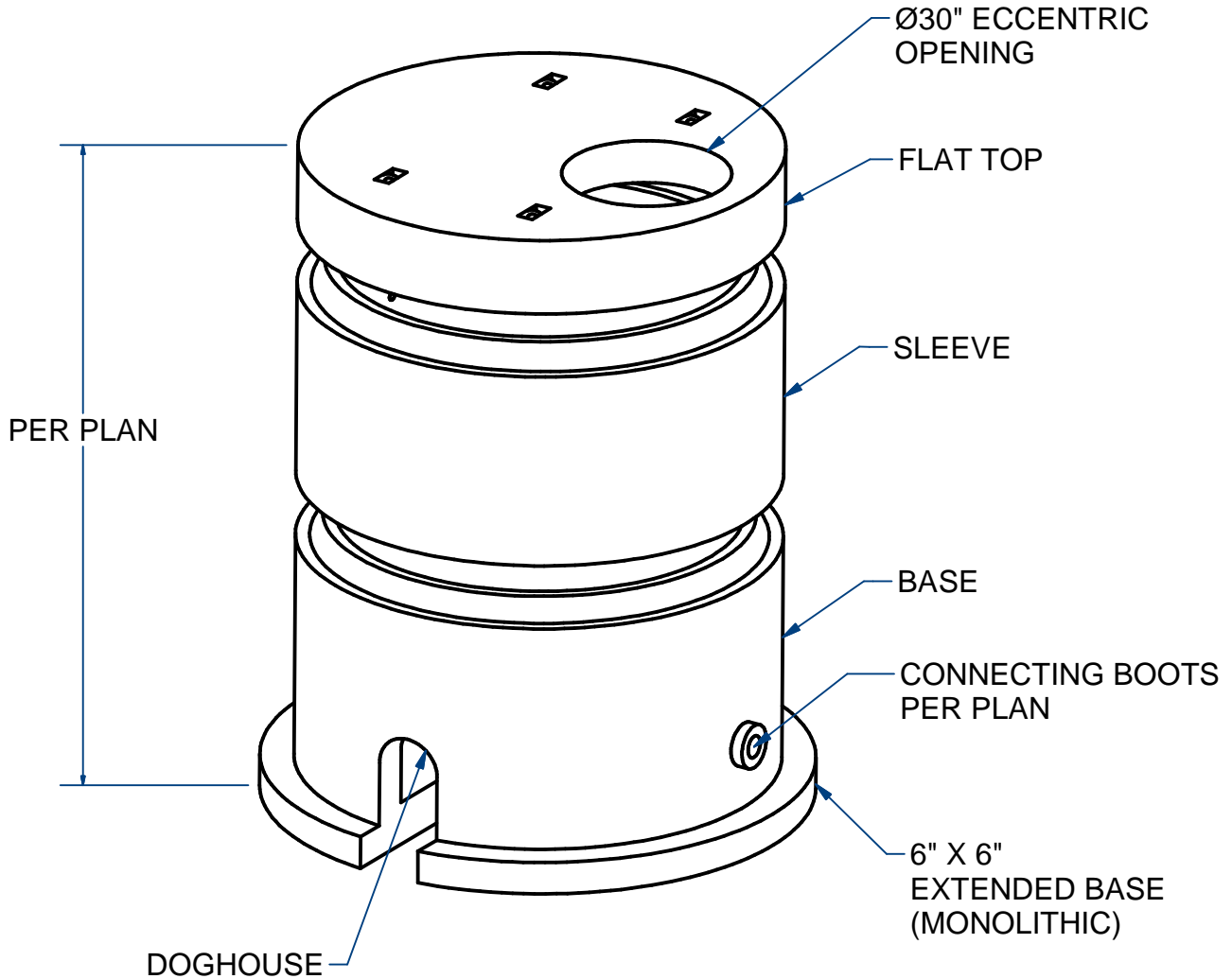
334 TREMONT STREET

HARWICH, MA

36 GREAT WESTERN ROAD

### NOTES:

- 1.) SEAM SEALED WITH FLEXIBLE BUTYL RUBBER SEALANT.



## SEWER MANHOLE, 6' ID ECCENTRIC FLAT TOP EXTENDED BASE, W/DOGHOUSE H20

ITEM# SMH6EBDH

Wt. TBD

Lbs

18-3.34

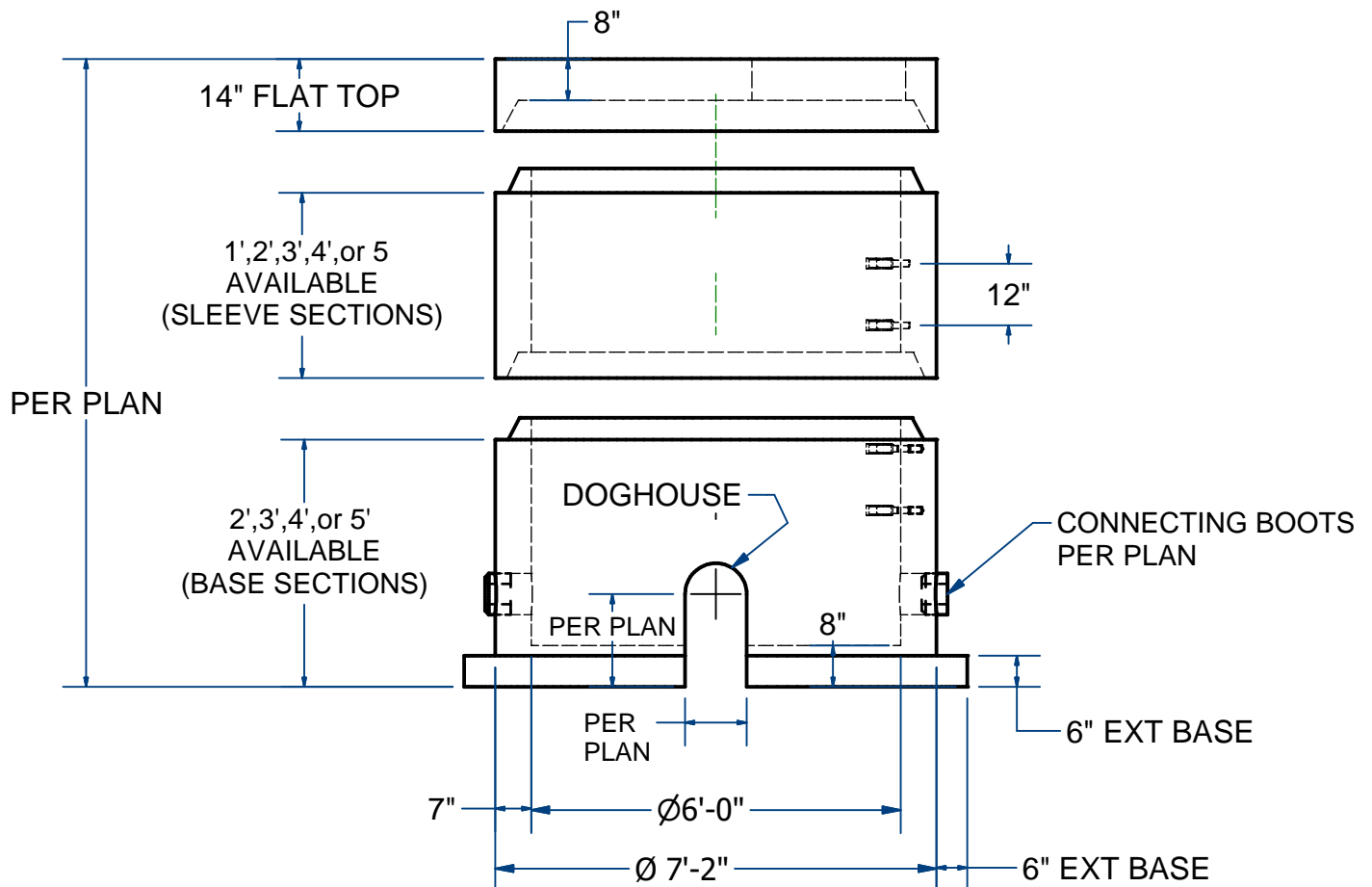
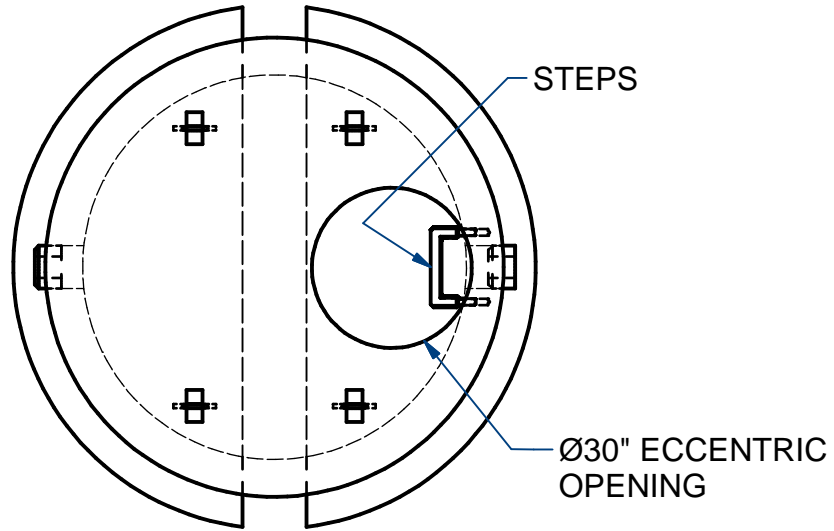
Sht 1 of 2

# ACME-SHOREY

PRECAST CONCRETE PRODUCTS

**NOTES:**

- 1.) SEAM SEALED WITH FLEXIBLE BUTYL RUBBER SEALANT.
- 2.) TAR COATING CONSEAL CS-55
- 3.) CONNECTING BOOTS
- 4.) STEPS PER ASTM C-478



**NAME: SEWER MANHOLE 6' ID, FLAT TOP**  
 (Ø30" ECCENTRIC OPENING, EXT BASE W/DOGHOUSE)

**H-20**

**ITEM# SMH6EBDH**

CONCRETE MIN. STRENGTH: 5,000 PSI @ 28 DAYS  
 STEEL REINFORCEMENT: ASTM A615, GRADE 60  
 DESIGN LOADING: STANDARD UNITS-AASHTO-H20

MANHOLES DESIGNED & FABRICATED  
 IN ACCORDANCE WITH AND CONFORMING  
 TO ASTM C478 PRECAST CONCRETE  
 MANHOLE SECTIONS.

**C**

DATE: 9-14-20