

# ACME-SHOREY

PRECAST CONCRETE PRODUCTS

WWW.ACME-SHOREY.COM

PHONE (508) 548-9607

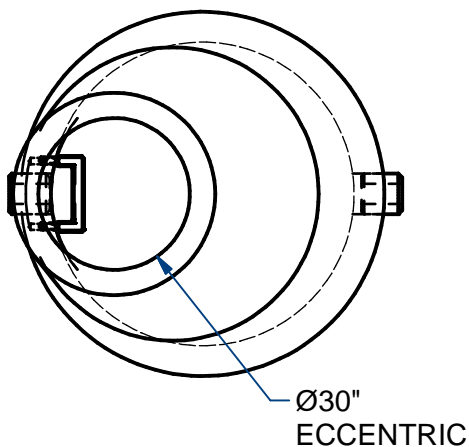
FAX (508) 548-1664

CARVER, MA 02330  
334 TREMONT STREET

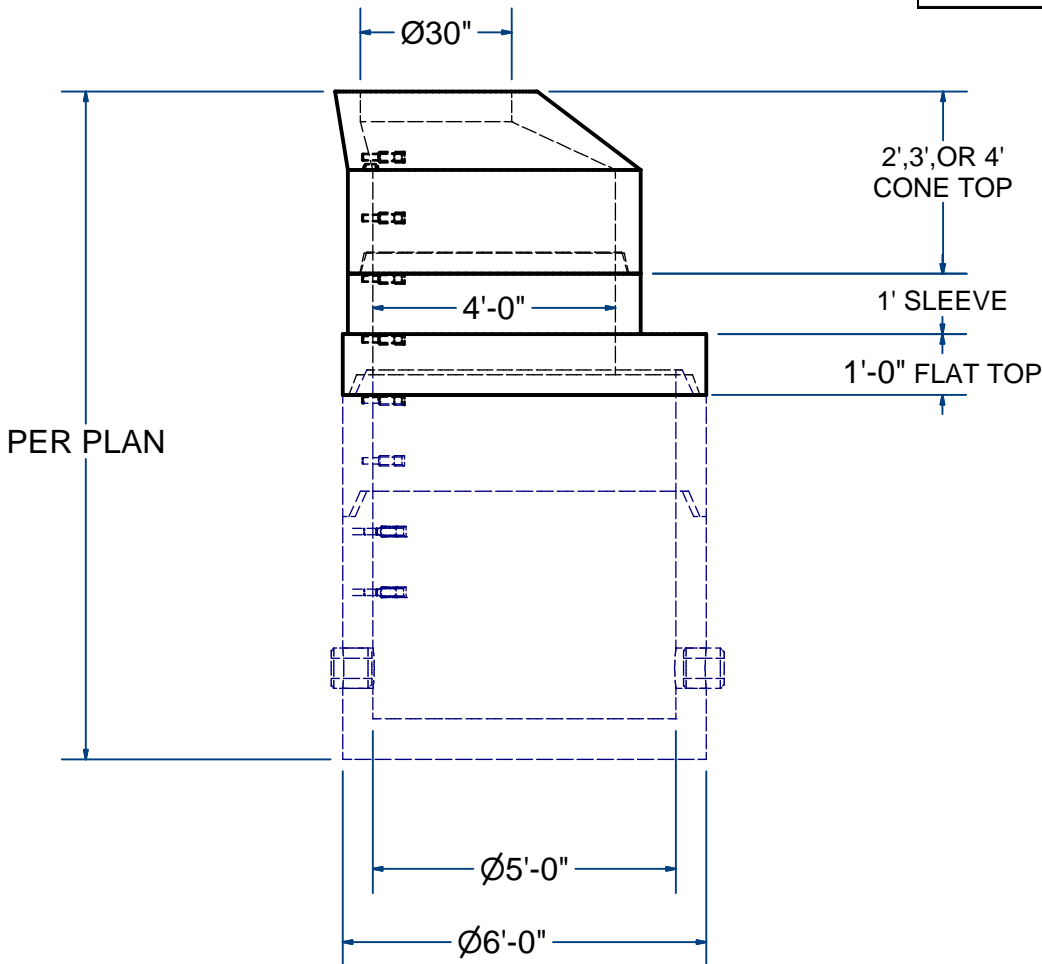
HARWICH  
36 GREAT WESTERN ROAD

**NOTES:**

- 1.) OPTIONAL - STEPS
- 2.) OPTIONAL - EXTENDED BASE
- 3.) OPTIONAL - CONNECTING BOOTS
- 4.) OPTIONAL - TAR COATING



| SMH5X4                |     |          |
|-----------------------|-----|----------|
| Each Section          | Ht. | Wt (Lbs) |
| 5'ID Base             | TBD |          |
| 5'ID Sleeve 1         | TBD |          |
| 5'ID Flat Top , 8"thk | 12" | 1,750    |
| 4'ID Sleeve , 4'id    | 12" | 1000     |
| 4'ID Cone Top 4'id    | 36" | 2750     |
|                       |     | 5,500    |



**NAME: SEWER MANHOLE REDUCER, 5'ID X 4'ID CONE TOP**

**ITEM#**  
SMHR5X4

Concrete Minimum Strength: 5,000 p.s.i. at 28 days  
Steel Reinforcement: ASTM A615-68 GRADE 60  
Design Loading: standard units - AASHTO -H-20

SUBMITTAL:

Job#

APPR. \_\_\_\_\_

Location:

Date

Job Name

SalesBB

C

DATE: 4-1-20

R 0  
X-Y-Z

Weight TBD Lbs

Drawn By  
DLK

can customize to plan

Chap. 18 Pg 1.60 Sht 1