

ACME-SHOREY

PRECAST CONCRETE PRODUCTS

WWW.ACME-SHOREY.COM

PHONE (508) 548-9607

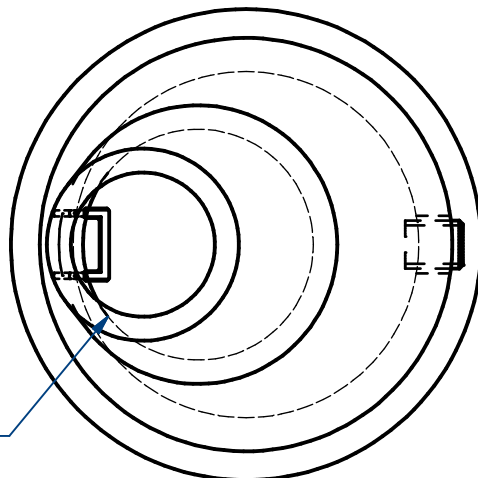
FAX (508) 548-1664

CARVER, MA 02330
334 TREMONT STREET

HARWICH
36 GREAT WESTERN ROAD

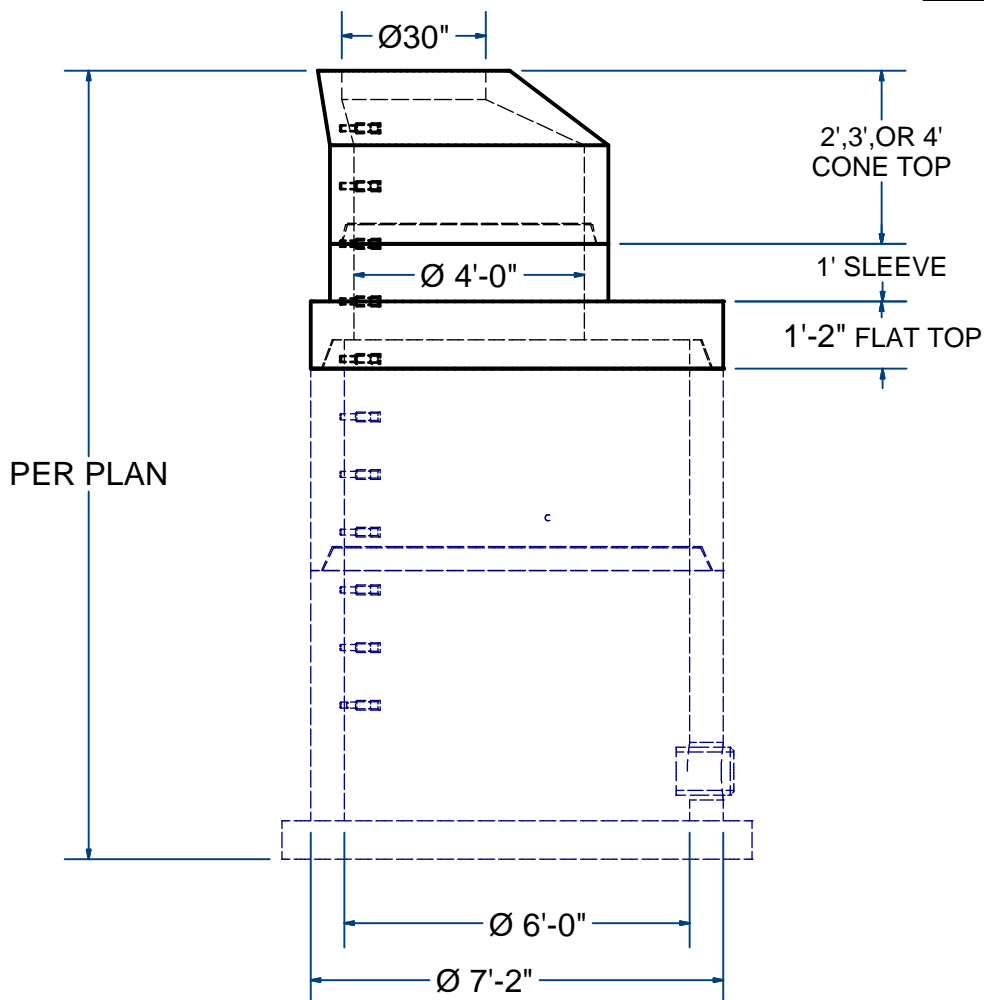
NOTES:

- 1.) OPTIONAL - STEPS
- 2.) OPTIONAL - EXTENDED BASE
- 3.) OPTIONAL - CONNECTING BOOTS
- 4.) OPTIONAL - TAR COATING



Ø30" ECCENTRIC

| SMH6X4 | | |
|----------------------|-----|----------|
| Each Section | Ht. | Wt (Lbs) |
| 6'ID Base | TBD | |
| 6'ID Sleeve 1 | TBD | |
| 6'ID Flat Top, 8"thk | 14" | 3,300 |
| 4'ID Sleeve, 4'id | 12" | 1000 |
| 4'ID Cone Top 4'id | 3' | 2750 |
| | | 7,050 |



NAME: SEWER MANHOLE REDUCER, 6'ID X 4'ID CONE TOP

ITEM# SMHR6X4

Concrete Minimum Strength: 5,000 p.s.i. at 28 days
Steel Reinforcement: ASTM A615-68 GRADE 60
Design Loading: standard units - AASHTO -H-20

SUBMITTAL:

Job#

APPR. _____

Location:

Date _____

Job Name

SalesBB _____

C

DATE: 4-1-20

R 0

X-Y-Z

Weight TBD

Lbs

Drawn By DLK

Can customize to plan

Chap. 18 Pg 1.61

Sht 1