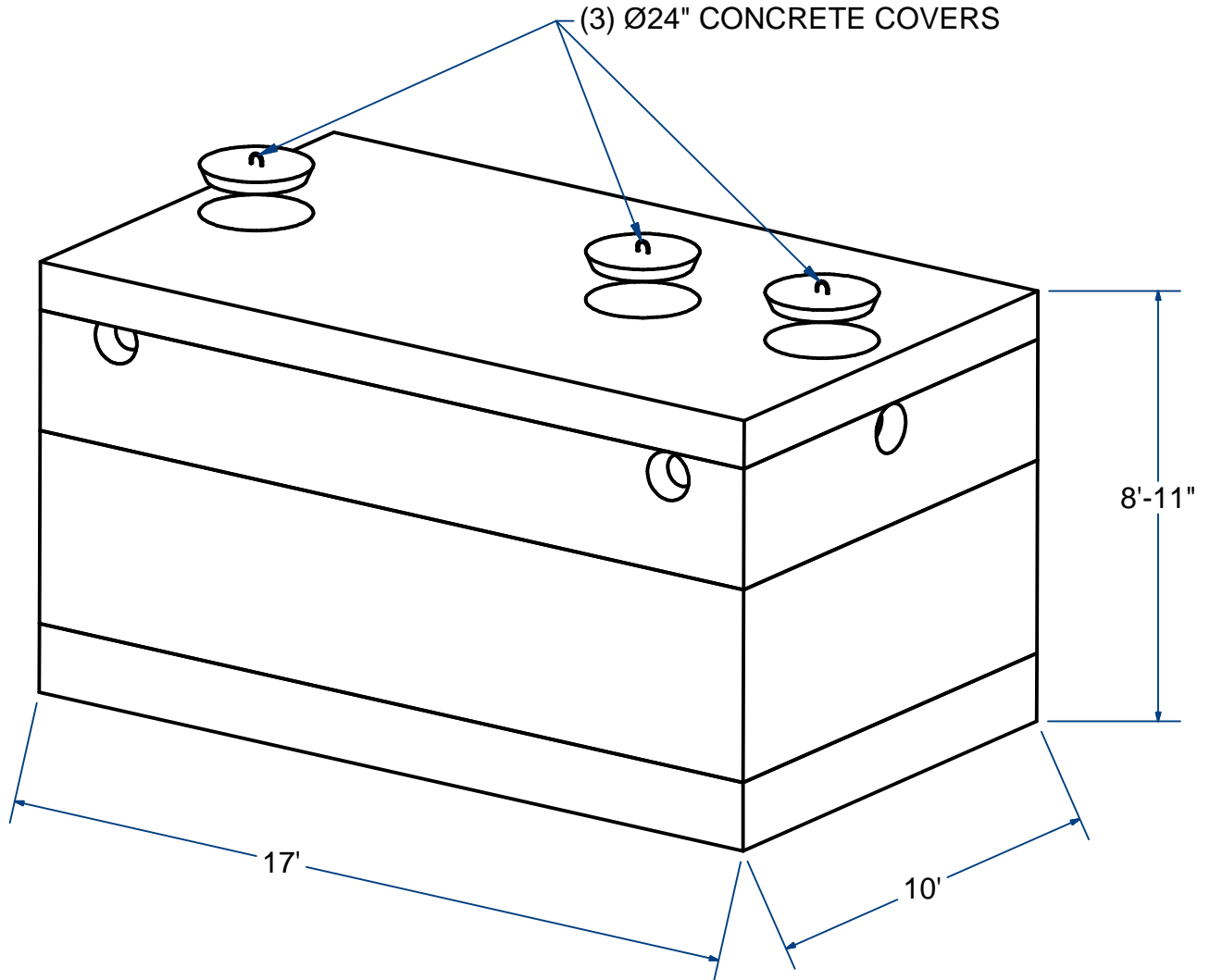


NOTES:

- 1.) SEAM SEALED WITH FLEXIBLE BUTYL RUBBER SEALANT.



**LOW PROFILE SEPTIC TANK 10'X17'**

H20

7000 Gallon

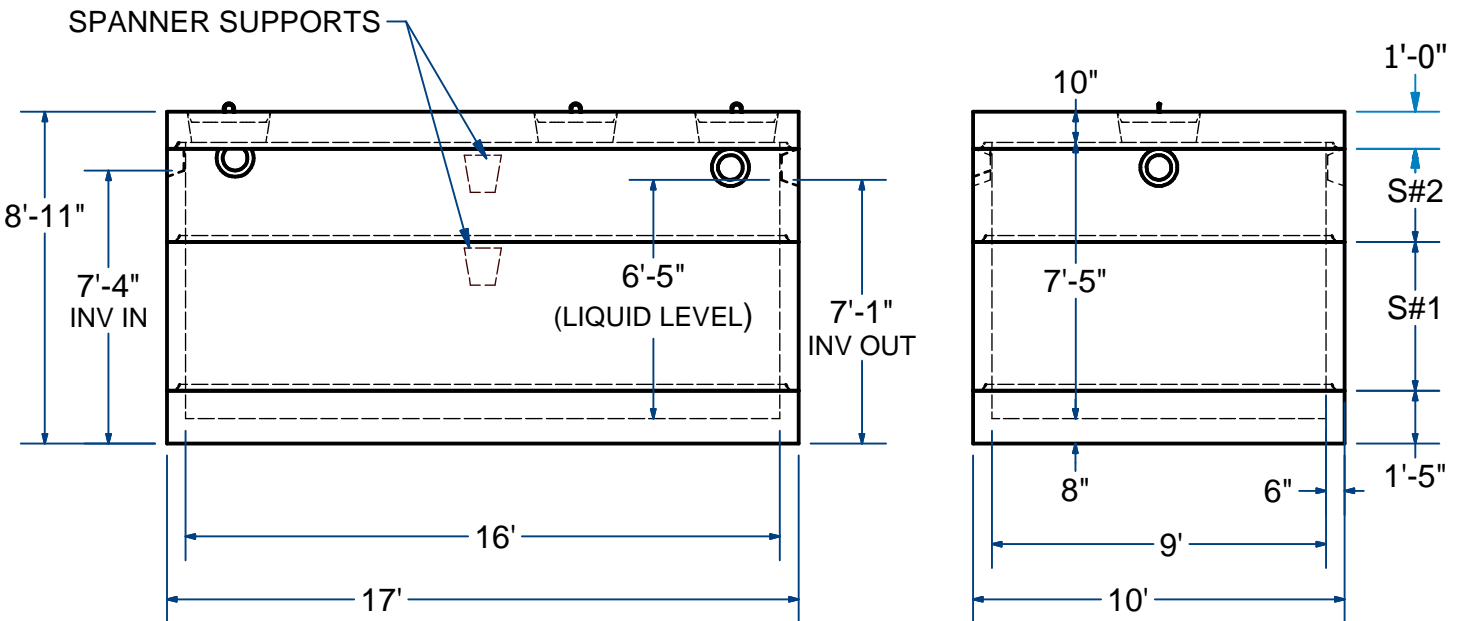
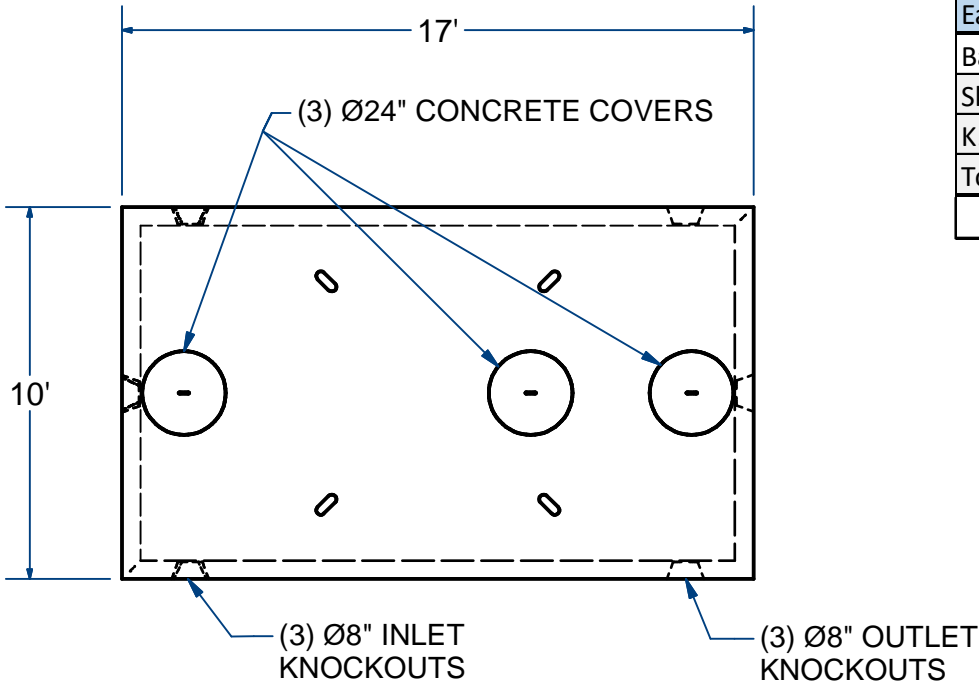
# ACME-SHOREY

PRECAST CONCRETE PRODUCTS

**NOTES:**

- 1.) SEAM SEALED WITH FLEXIBLE BUTYL RUBBER SEALANT.

Each Section	Wt ea. (Lbs)
Base 17"	21,500
Sleeve#1- 48"	17,500
K.O. Sleeve#2- 30"	11,250
Top 10"	21,250
	71,500



**NAME: SEPTIC TANK 10' X 17', 7000 Gallon**  
(LOW PROFILE)

**H-20**

**ITEM# ST1007**

Concrete Minimum Strength: 5,000 p.s.i. at 28 days  
Steel Reinforcement: ASTM A615, Grade 60  
Design Loading: standard units - AASHTO - H20

**WEIGHT 71,500 Lbs**

**H**

**DATE: 10-2-2019**

Ch 8 Pg 16.3 Sht 2 of 2