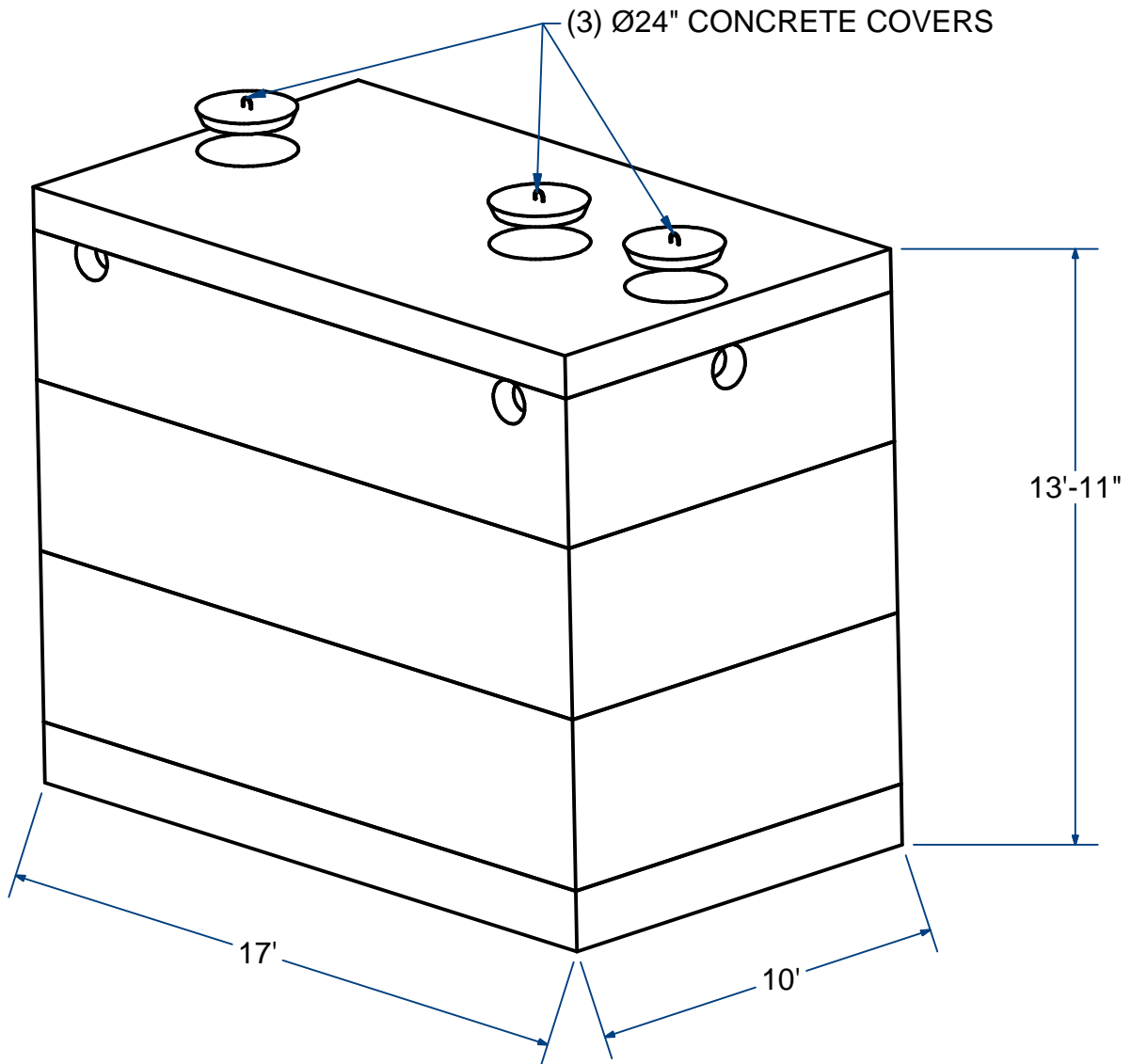


NOTES:
1.) SEAM SEALED WITH FLEXIBLE BUTYL RUBBER SEALANT.



LOW PROFILE SEPTIC TANK 10'X17'

H20

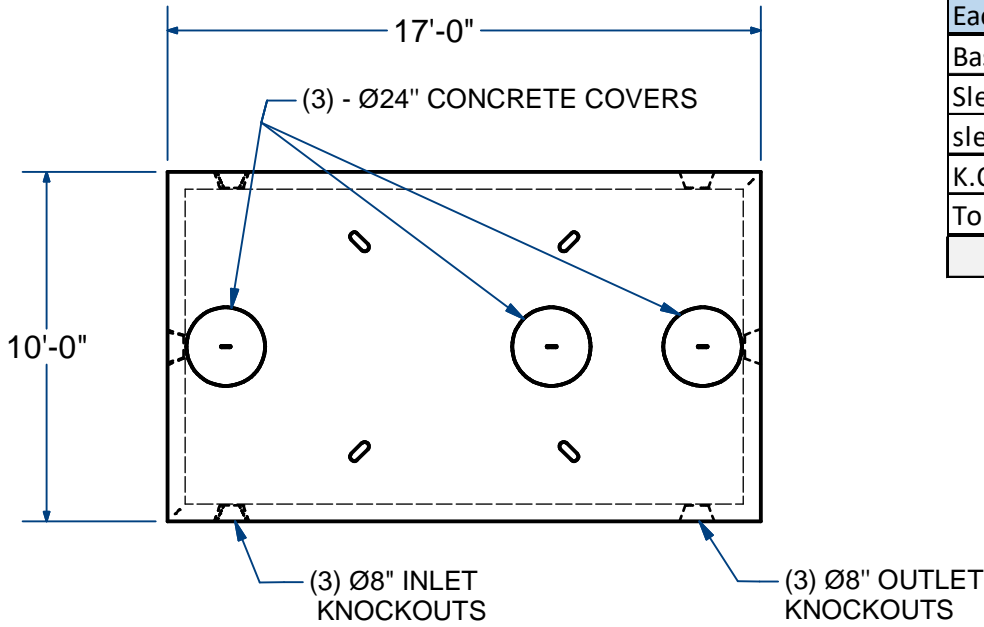
12,000 Gallon

ACME-SHOREY

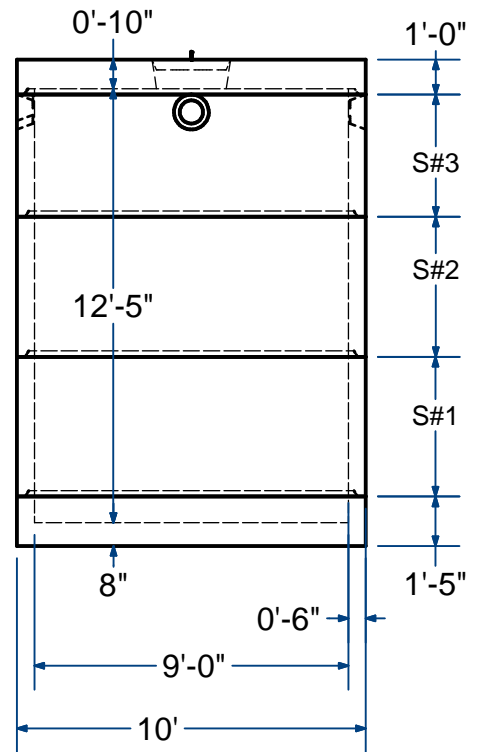
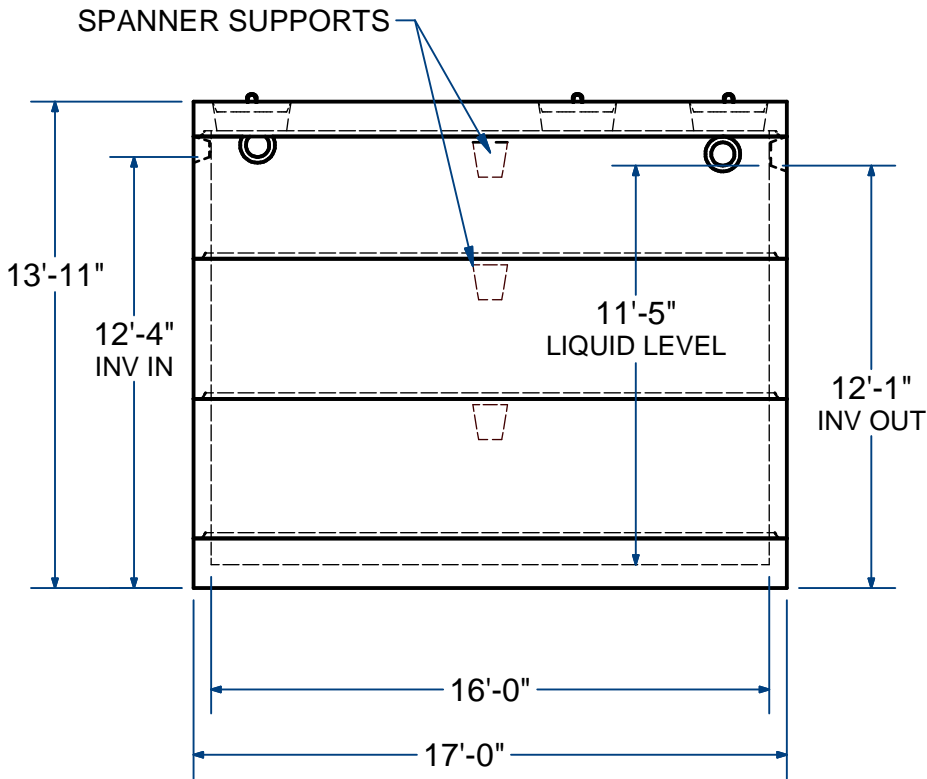
PRECAST CONCRETE PRODUCTS

NOTES:

1.) SEAM SEALED WITH FLEXIBLE BUTYL RUBBER SEALANT.



Each Section	Wt ea. (Lbs)
Base 17"	21,500
Sleeve#1- 48"	17,500
sleeve#2- 48"	17,500
K.O. Sleeve#3- 42"	15,000
Top 10"	21,250
	92,750



NAME: SEPTIC TANK 10' X 17', 12000 Gallon
(LOW PROFILE)

H-20

ITEM# ST1012

Concrete Minimum Strength: 5,000 p.s.i. at 28 days
Steel Reinforcement: ASTM A615, Grade 60
Design Loading: standard units - AASHTO - H20

WEIGHT 92,750 Lbs

H

DATE: 11-2-2019

Ch 8 Pg 16.8 Sht 2 of 2