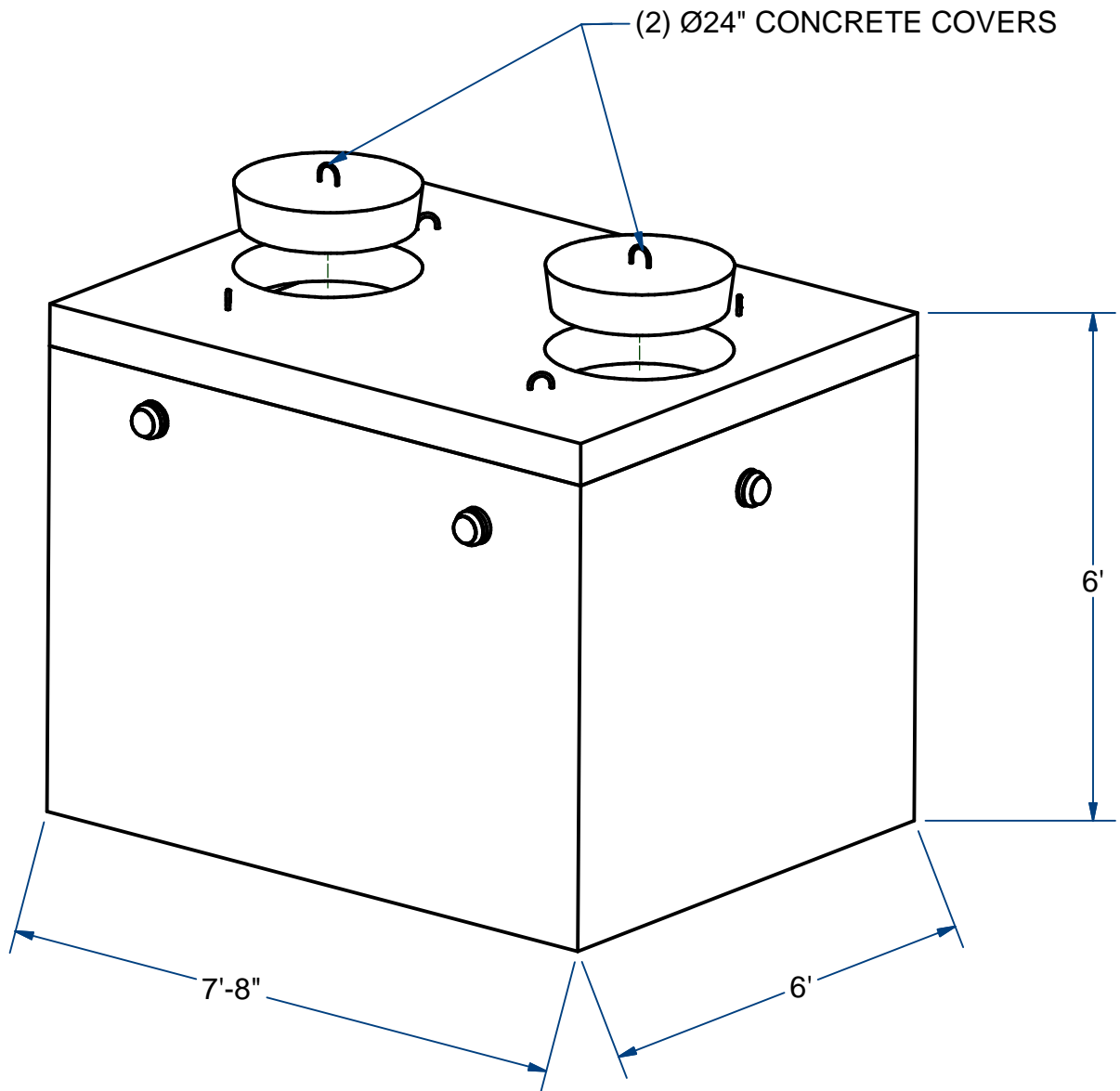


NOTES:

- 1.) SEAM SEALED WITH FLEXIBLE BUTYL RUBBER SEALANT.



**SEPTIC TANK , Mono, W/BOOTS**

H20

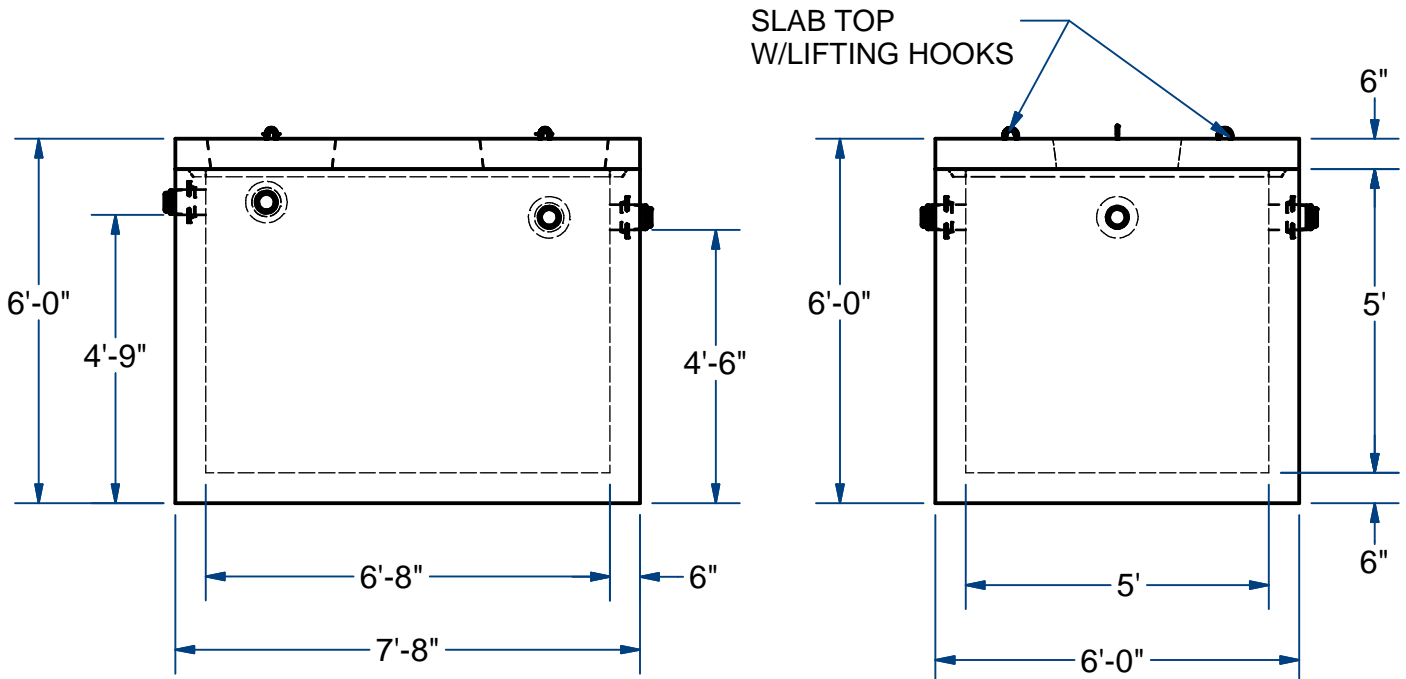
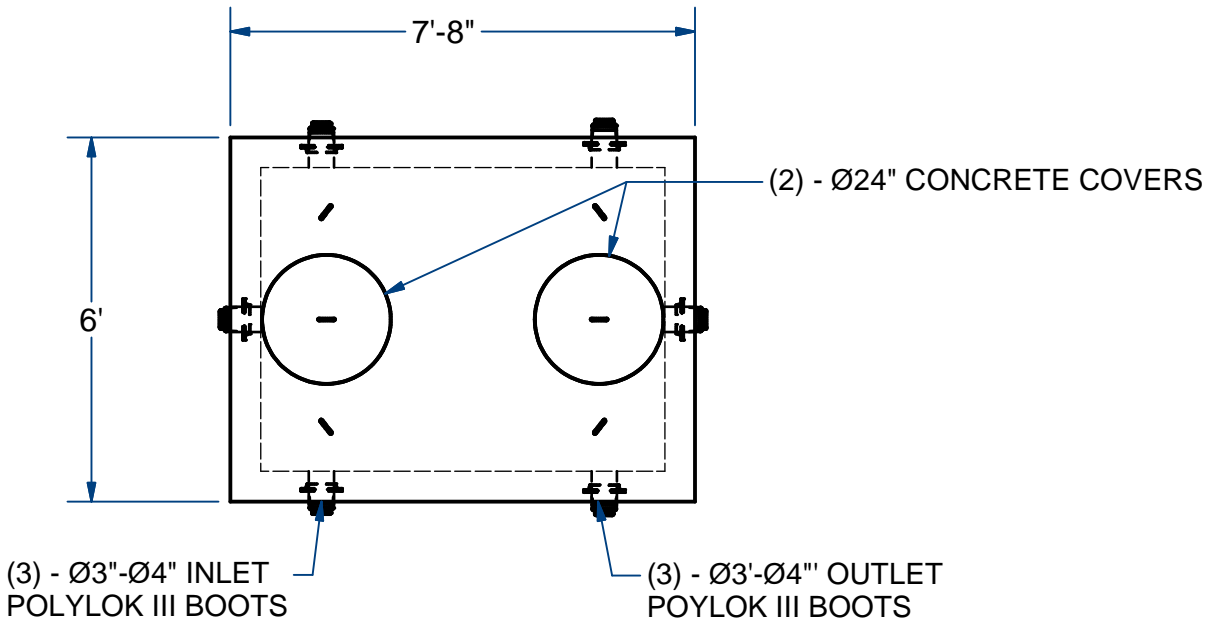
1,000 Gallon

# ACME-SHOREY

PRECAST CONCRETE PRODUCTS

**NOTES:**

1.) SEAM SEALED WITH FLEXIBLE BUTYL RUBBER SEALANT.



**NAME: SEPTIC TANK, Monolithic, 1000 Gallon**

**H-20**

**ITEM# ST102M-B34**

Concrete Minimum Strength: 5,000 p.s.i. at 28 days  
 Steel Reinforcement: ASTM A615, Grade 60  
 Design Loading: standard units - AASHTO - H20

TOP 3,100 Lbs  
 BOTTOM 13,400 Lbs

C

DATE: 3-3-2018

Ch 8 Pg 1.3 Sht 2 of 2