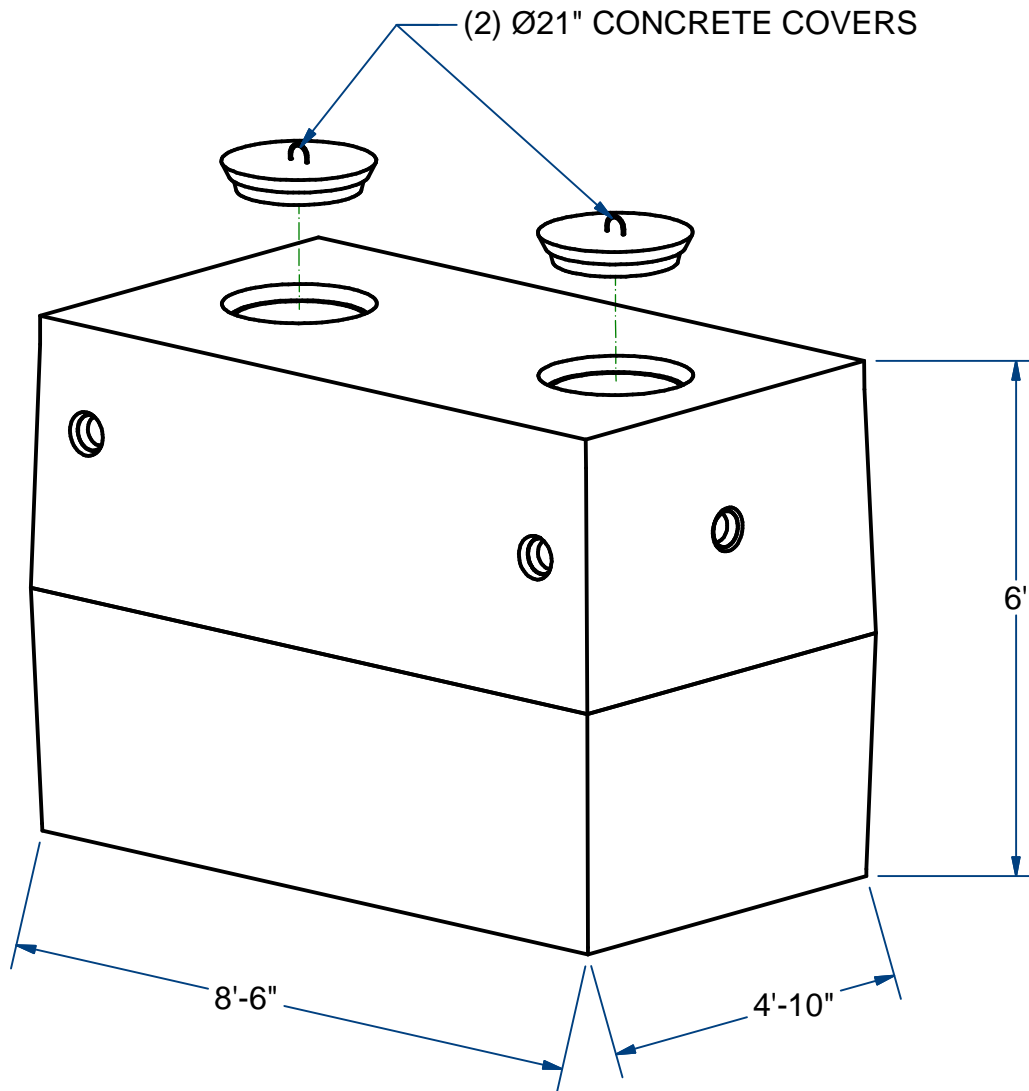


NOTES:

- 1.) SEAM SEALED WITH FLEXIBLE BUTYL RUBBER SEALANT.



**SEPTIC TANK, HEAVY TOP**

H10

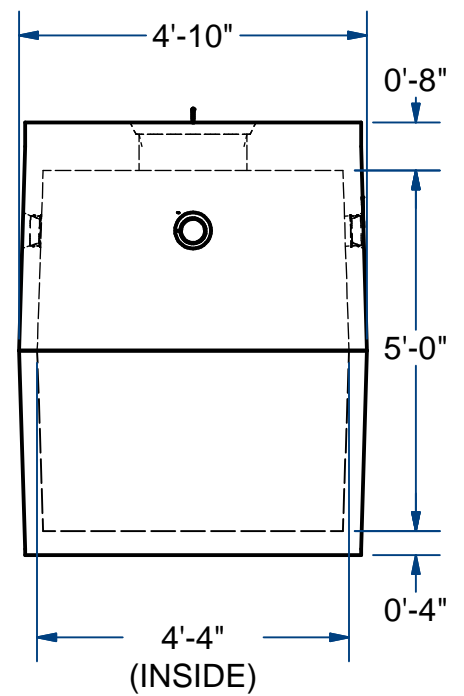
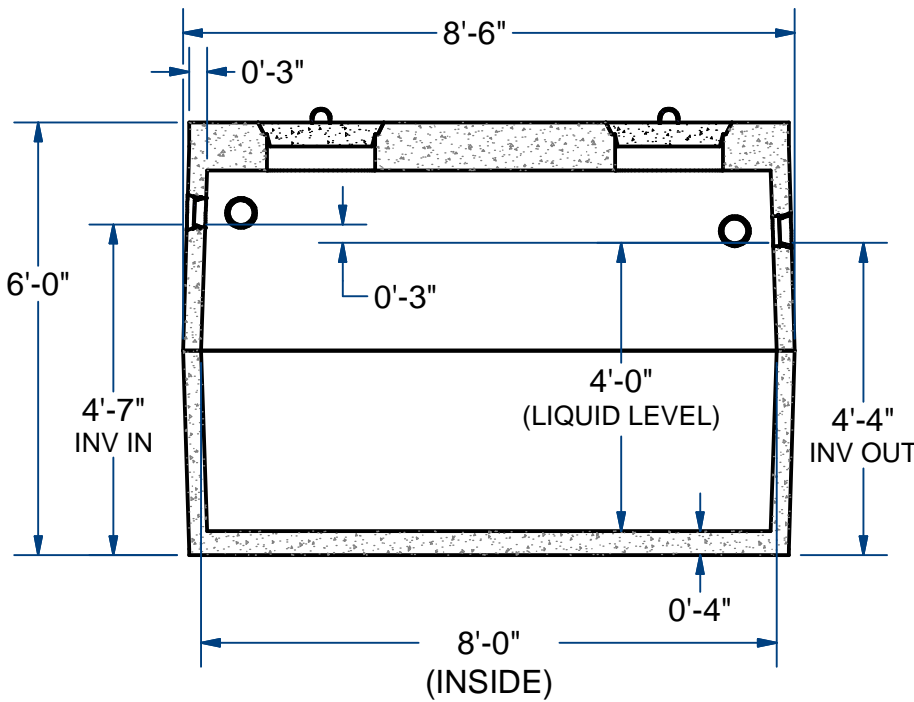
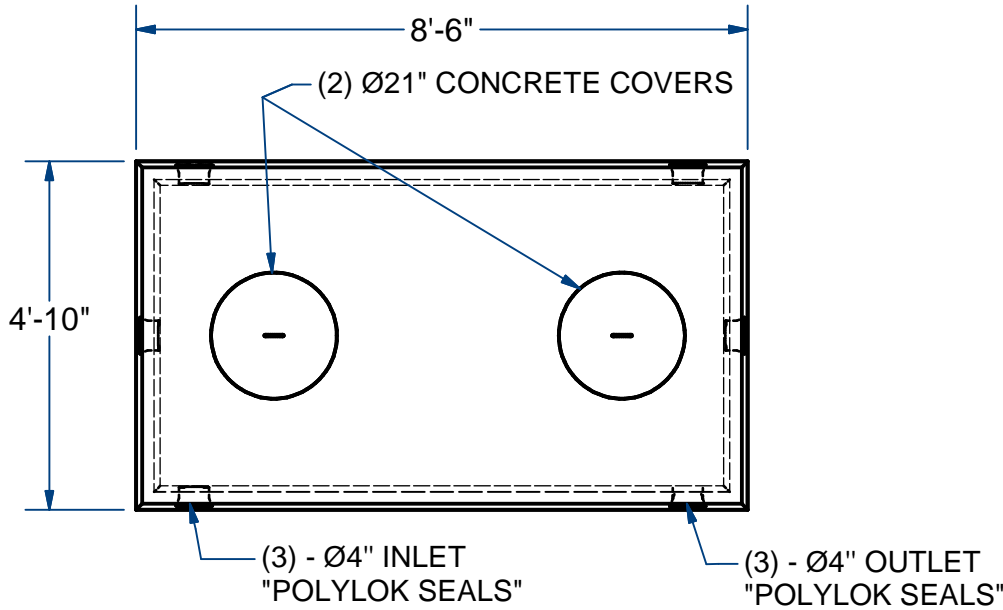
1000 Gallon

# ACME-SHOREY

PRECAST CONCRETE PRODUCTS

**NOTES:**

- 1.) SEAM SEALED WITH FLEXIBLE BUTYL RUBBER SEALANT.



**NAME: SEPTIC TANK 1000 Gallon, HEAVY TOP**

**H-10**

**ITEM# ST10HT**

Concrete Minimum Strength: 4,000 p.s.i. at 28 days  
 Steel Reinforcement: ASTM A615, Grade 60  
 Design Loading: standard units - AASHTO - H10

TOP 6,000 Lbs  
 BOTTOM 4,600 Lbs

**A**

DATE: 7-24-2018