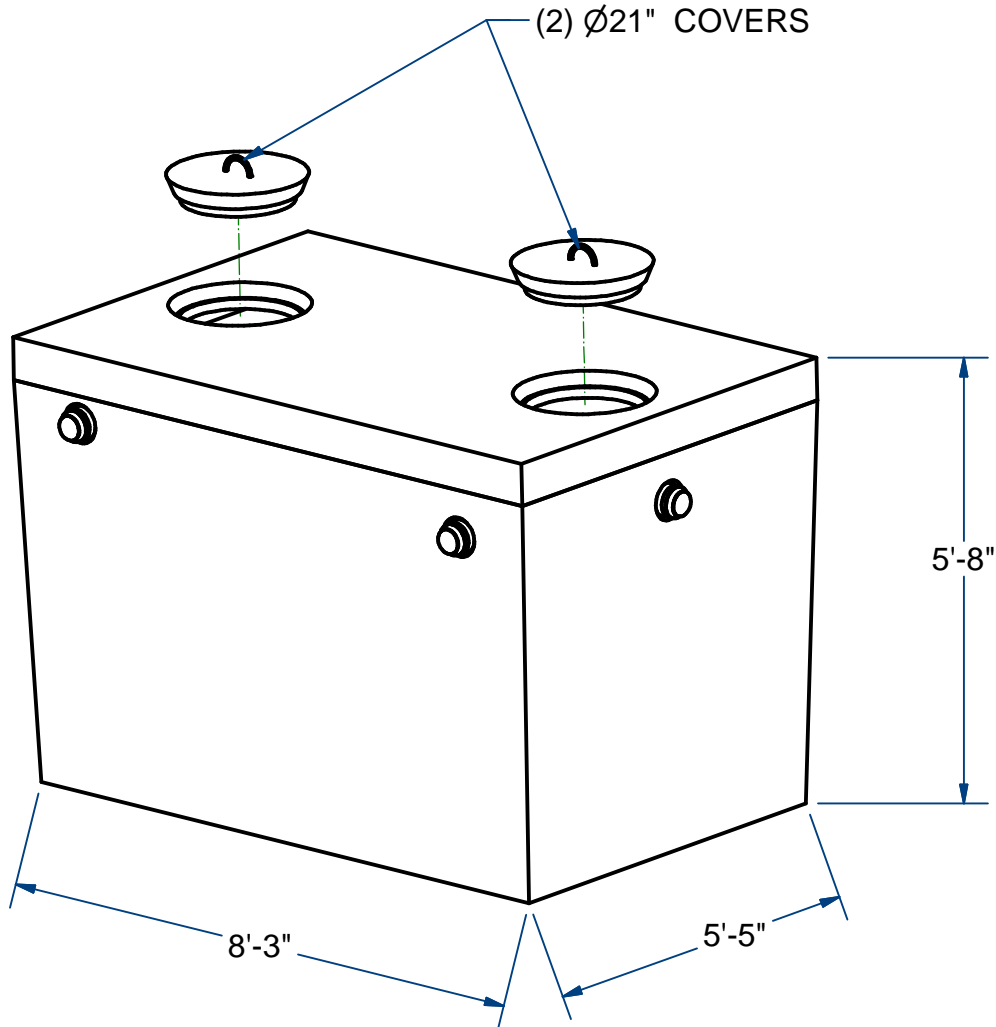


NOTES:

- 1.) SEAM SEALED WITH FLEXIBLE BUTYL RUBBER SEALANT.



SEPTIC TANK MONOLITHIC

H10

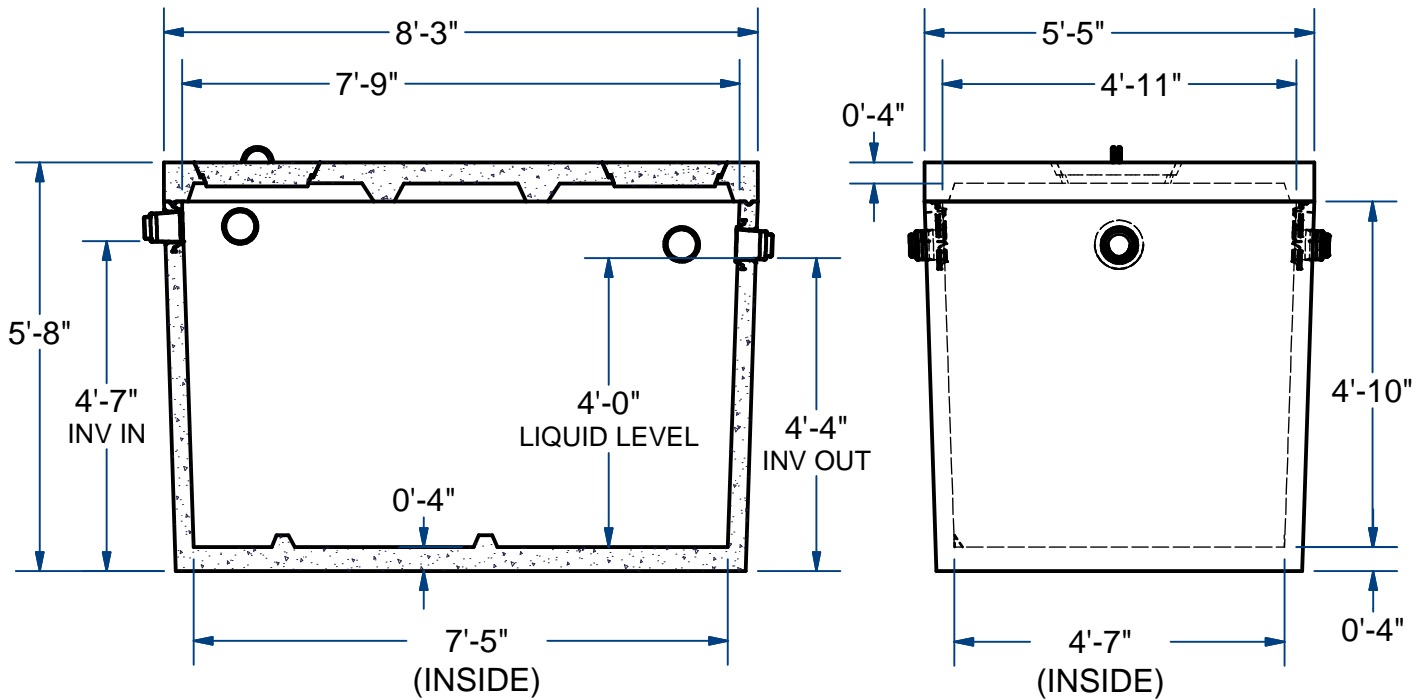
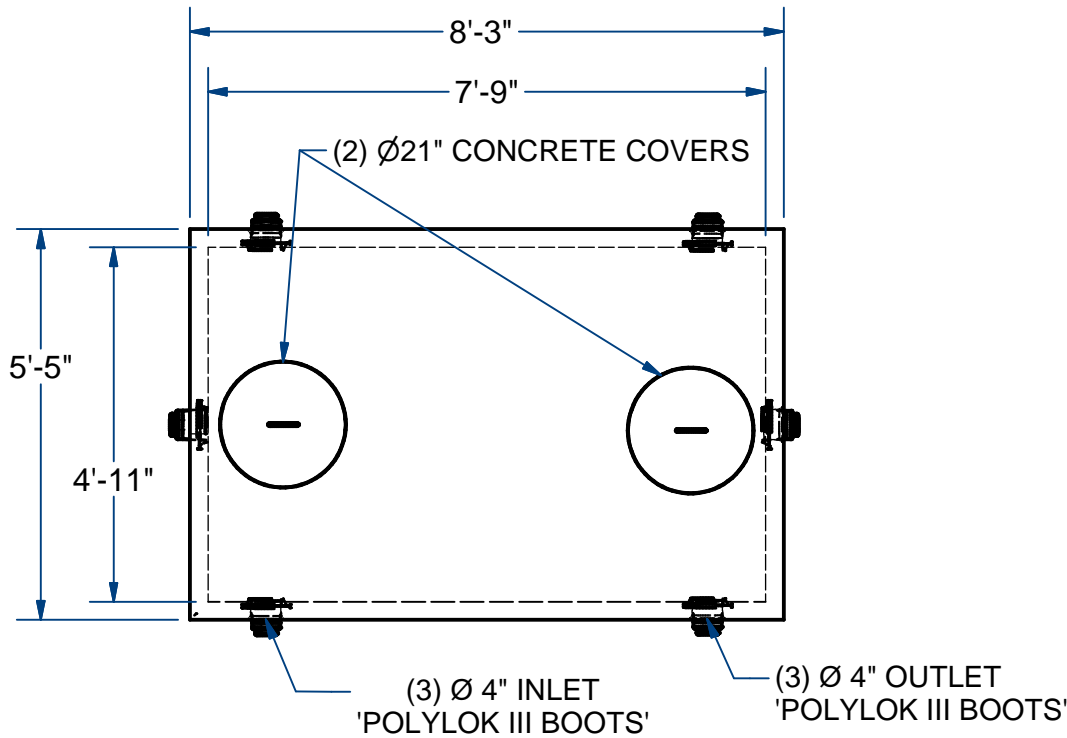
1000 GALLON

ACME-SHOREY

PRECAST CONCRETE PRODUCTS

NOTES:

- 1.) SEAM SEALED WITH FLEXIBLE BUTYL RUBBER SEALANT.



NAME: SEPTIC TANK, 1000 Gallon, MONO

H-10

ITEM# ST10M

Concrete Minimum Strength: 4,000 p.s.i. at 28 days
 Steel Reinforcement: ASTM A615, Grade 60
 Design Loading: standard units - AASHTO - H10

TOP 2,500 Lbs
 BOTTOM 6,000 Lbs

S DATE: 5-24-2018
 Ch 1 Pg 1.2 Sht 2 of 2