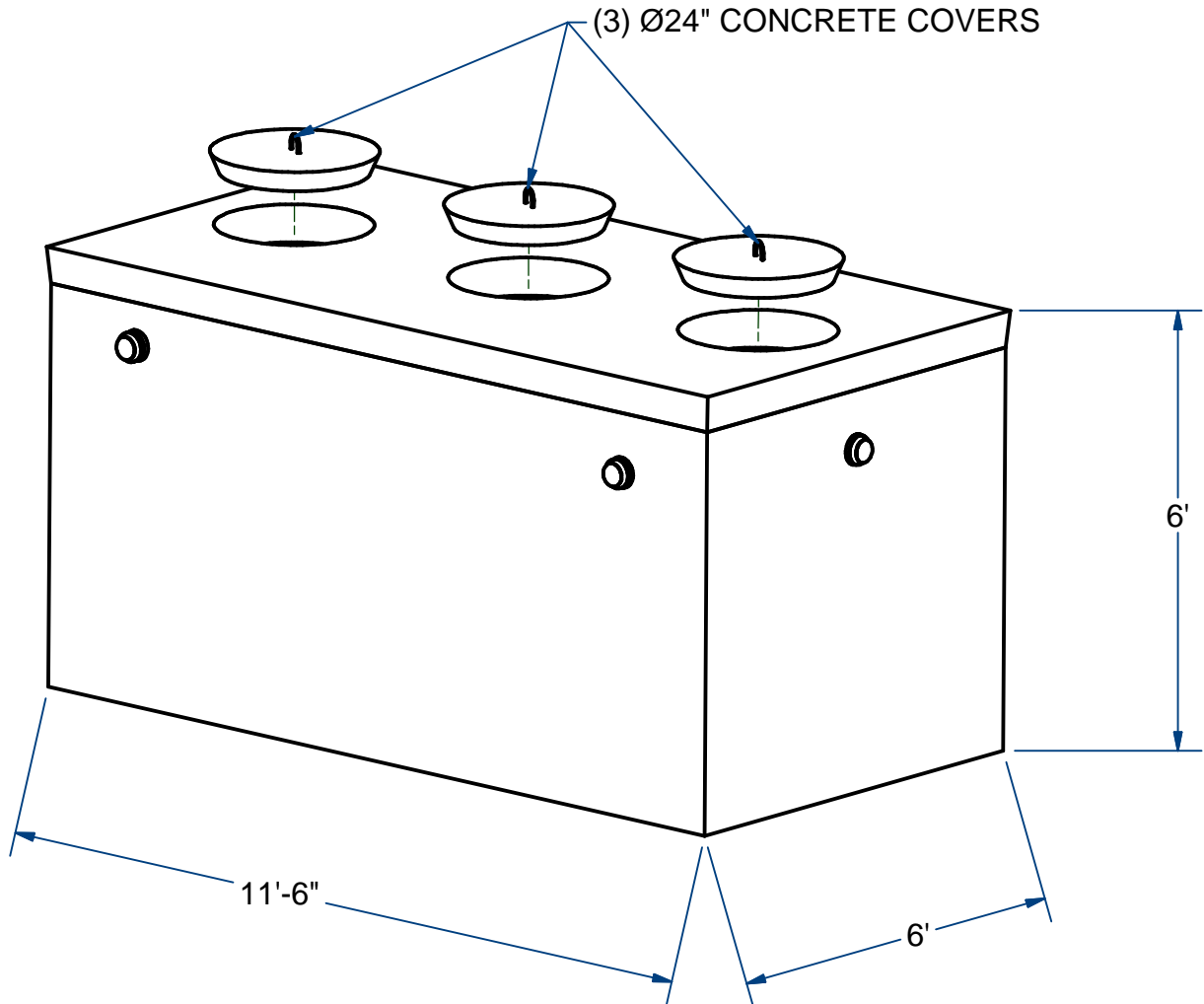


NOTES:

- 1.) SEAM SEALED WITH FLEXIBLE BUTYL RUBBER SEALANT.



SEPTIC TANK, Mono, W/ Boots

H20

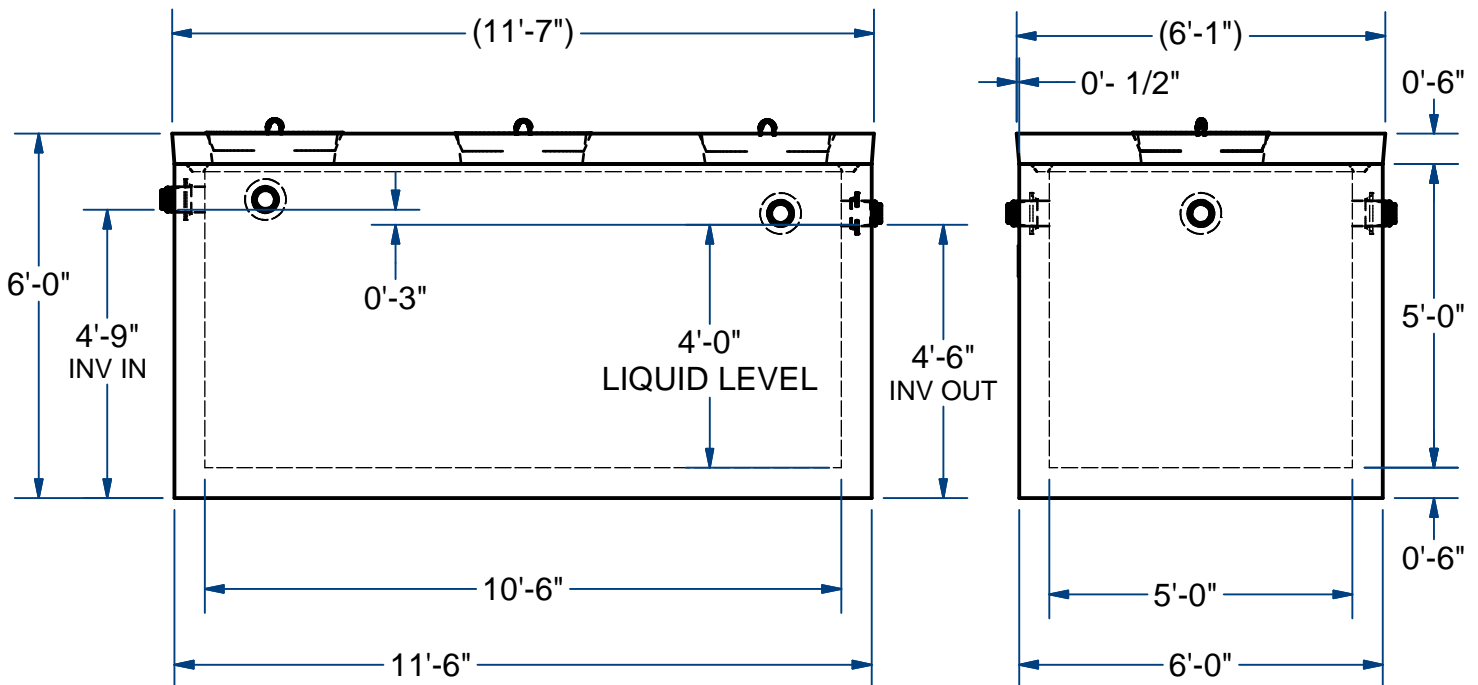
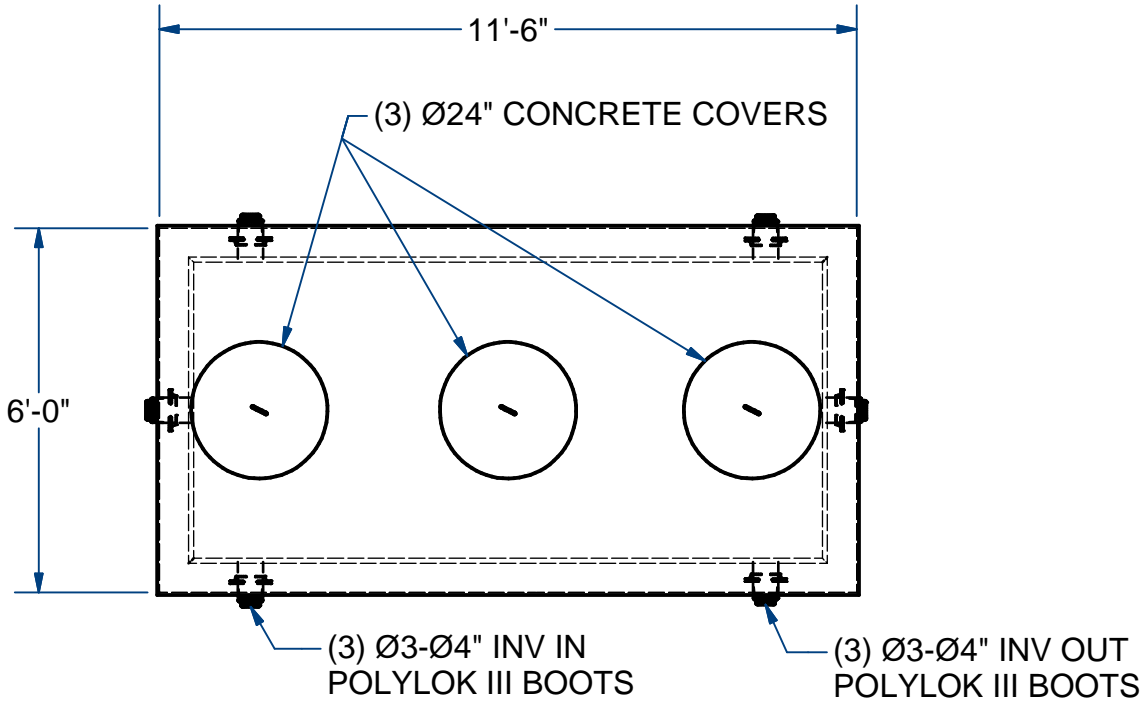
1,500 Gallon

ACME-SHOREY

PRECAST CONCRETE PRODUCTS

NOTES:

- 1.) SEAM SEALED WITH FLEXIBLE BUTYL RUBBER SEALANT.



NAME: SEPTIC TANK, Mono, 1,500 Gallon, W/Boots

H-20

ITEM# ST152M-B34

Concrete Minimum Strength: 5,000 p.s.i. at 28 days
 Steel Reinforcement: ASTM A615, Grade 60
 Design Loading: standard units - AASHTO - H20

TOP 5,000 Lbs
 BOTTOM 18,000 Lbs

A

DATE: 3-3-2018

Ch 8 Pg 2.3 Sht 2 of 2