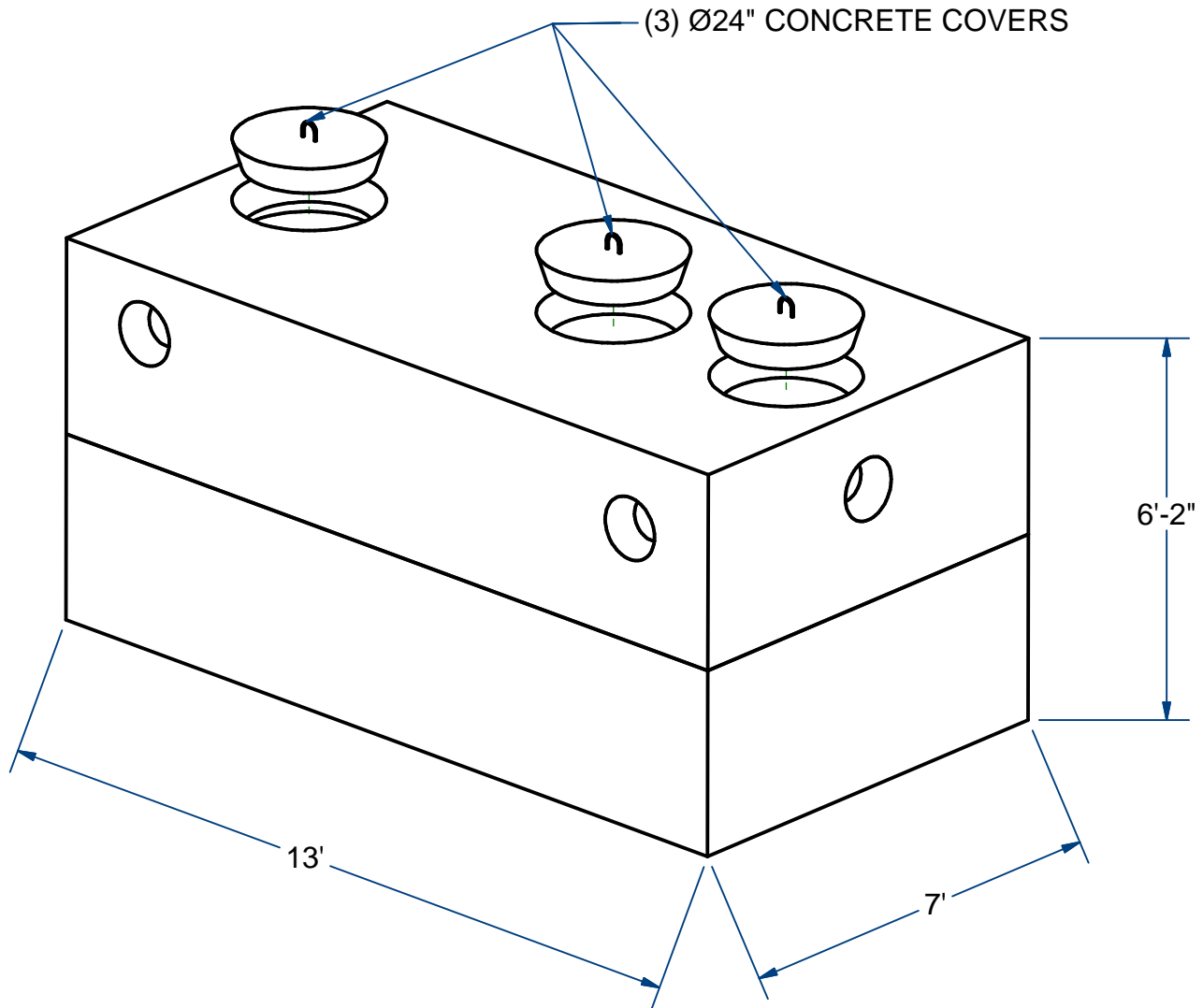


NOTES:

- 1.) SEAM SEALED WITH FLEXIBLE BUTYL RUBBER SEALANT.



**SEPTIC TANK, Low Profile**

H20

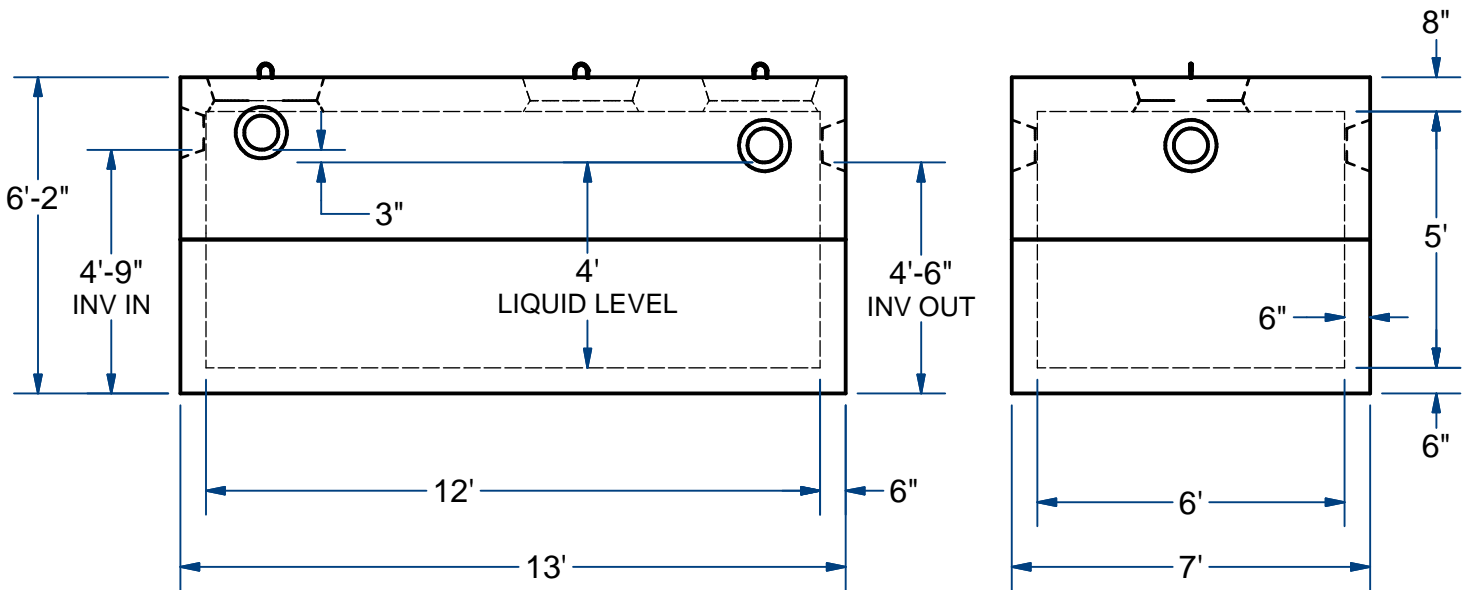
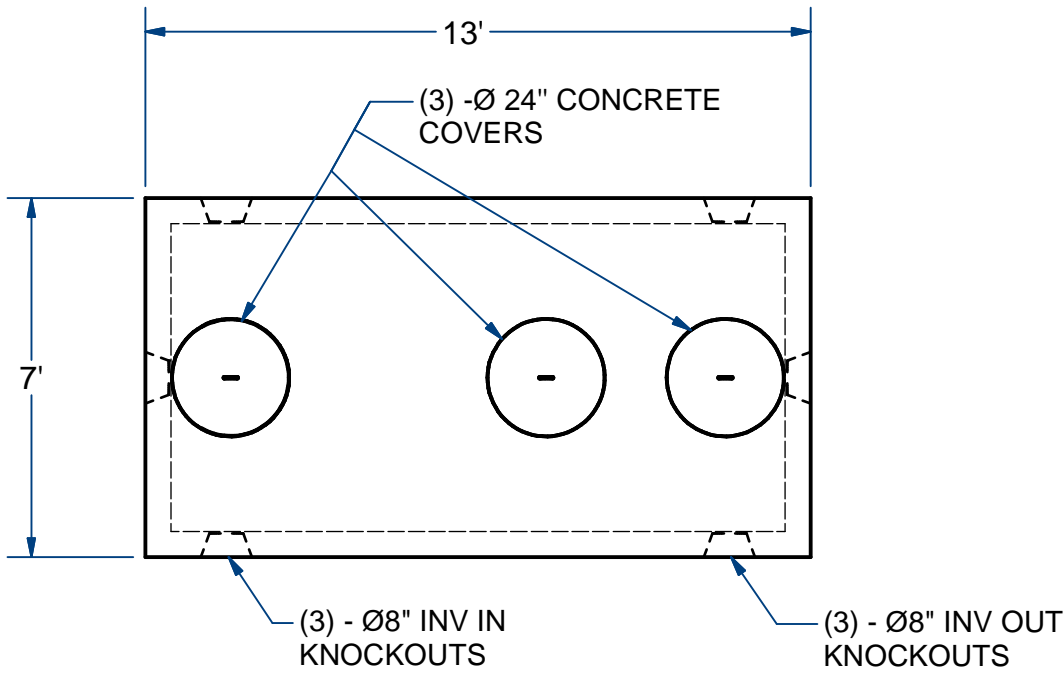
2,000 Gallon

# ACME-SHOREY

PRECAST CONCRETE PRODUCTS

**NOTES:**

- 1.) SEAM SEALED WITH FLEXIBLE BUTYL RUBBER SEALANT.



**NAME: SEPTIC TANK, 2000 Gallon, Low Profile**

**H-20**

**ITEM# ST202LP**

Concrete Minimum Strength: 5,000 p.s.i. at 28 days  
 Steel Reinforcement: ASTM A615, Grade 60  
 Design Loading: standard units - AASHTO - H20

TOP 16,000 Lbs  
 BOTTOM 15,250 Lbs

C

DATE: 5-22-2019

Ch 8 Pg 3.1 Sht 2 of 2