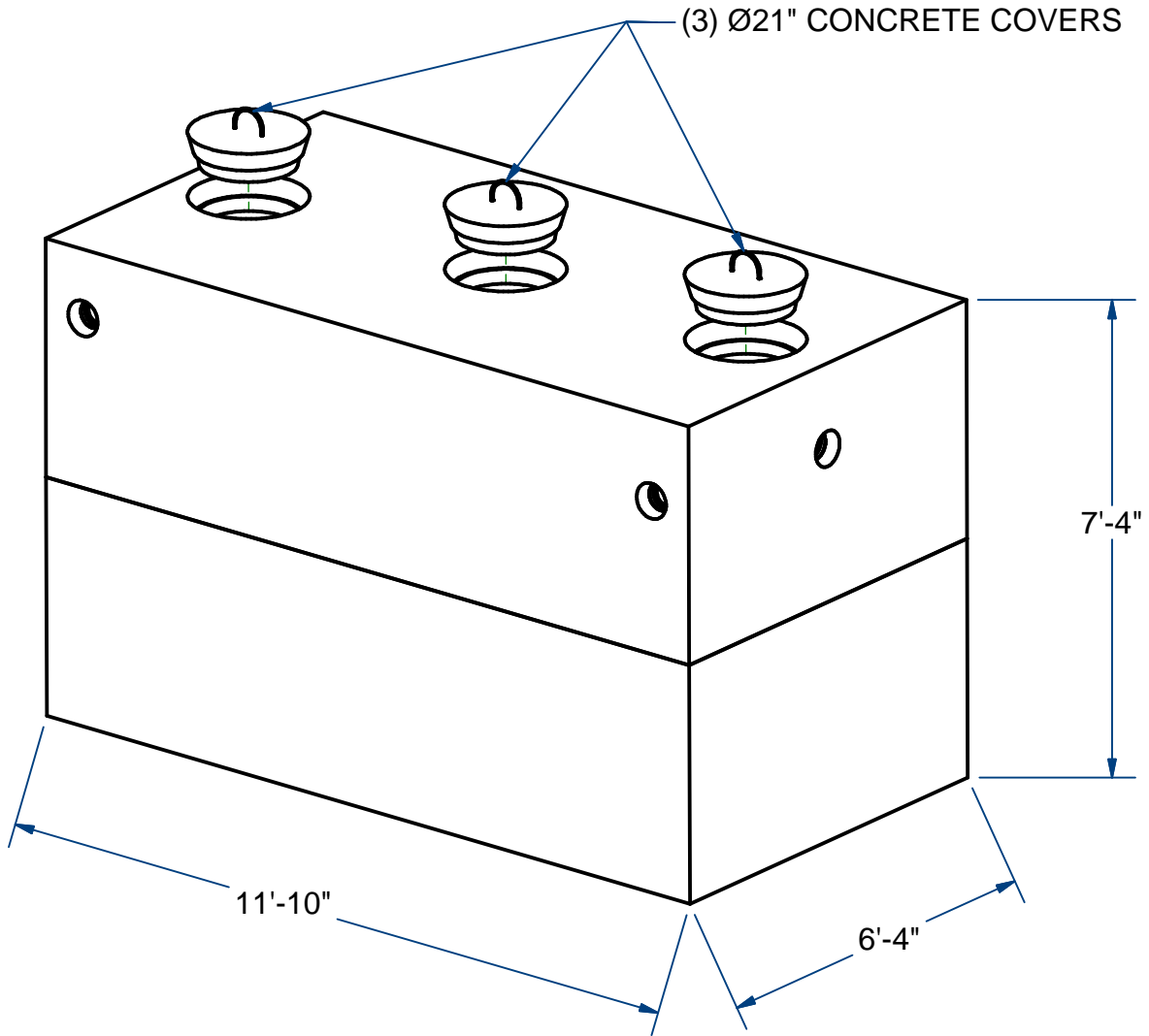


NOTES:

- 1.) SEAM SEALED WITH FLEXIBLE BUTYL RUBBER SEALANT.



SEPTIC TANK

H10

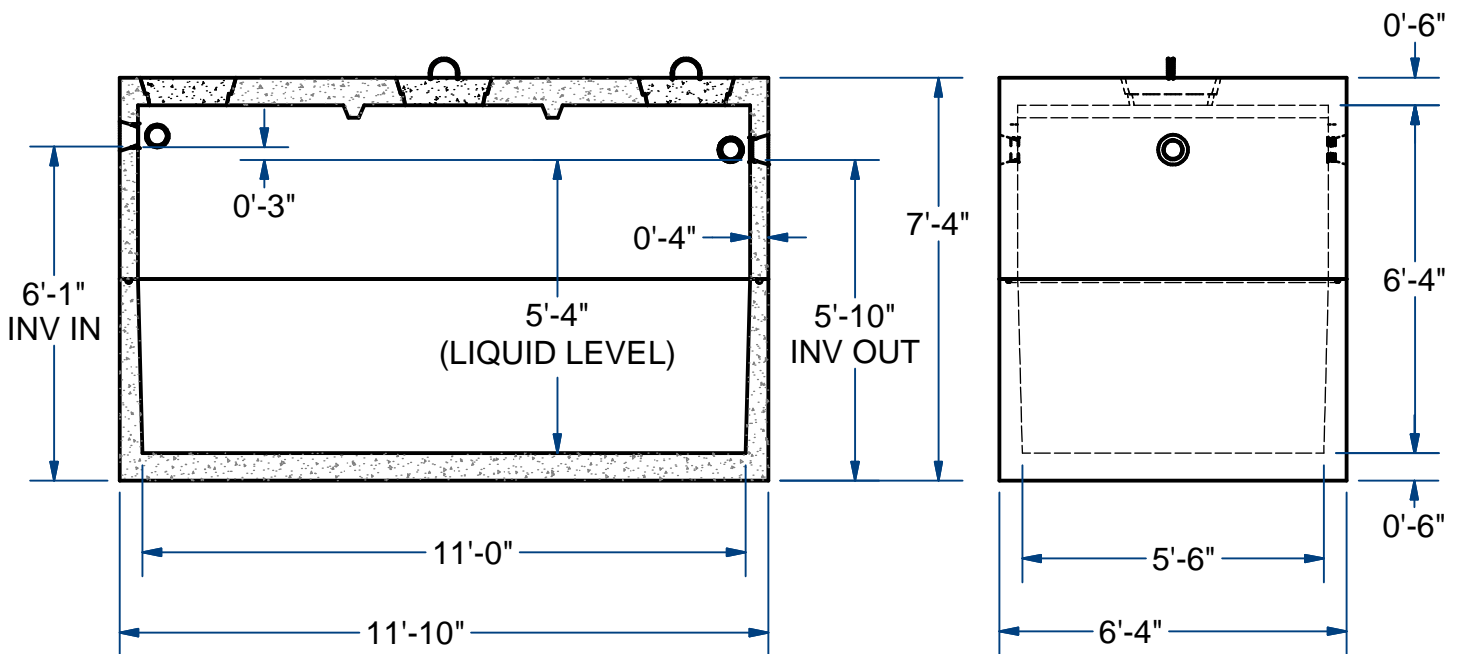
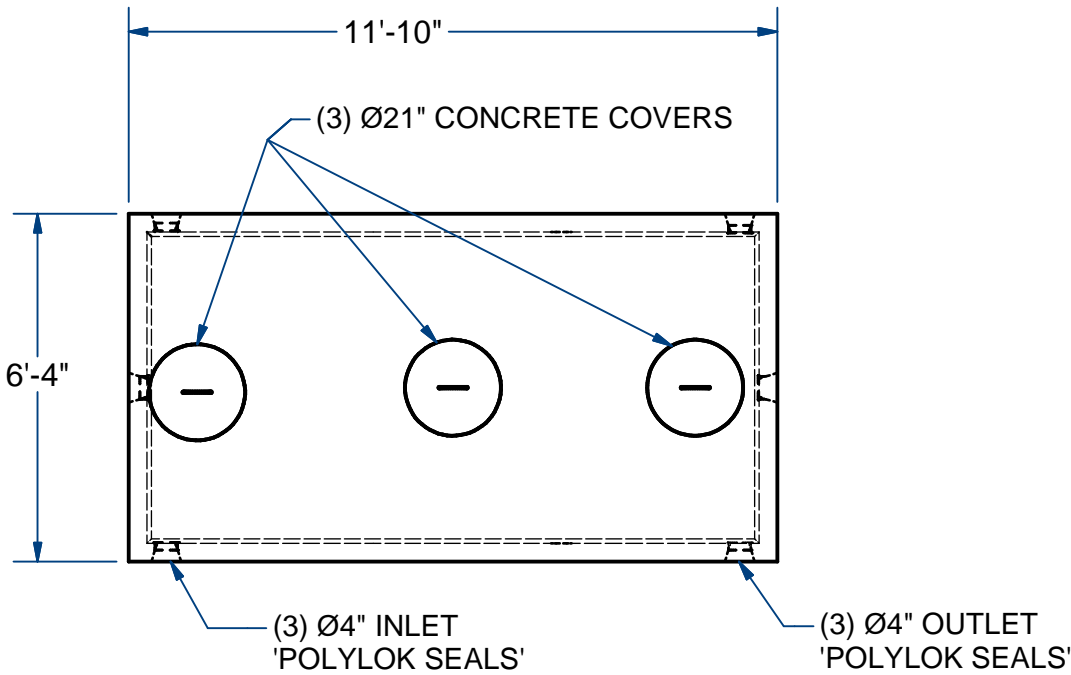
2,500 GALLON

ACME-SHOREY

PRECAST CONCRETE PRODUCTS

NOTES:

- 1.) SEAM SEALED WITH FLEXIBLE BUTYL RUBBER SEALANT.



NAME: SEPTIC TANK 2,500 GALLON

H-10

ITEM# ST25

Concrete Minimum Strength: 4,000 p.s.i. at 28 days
 Steel Reinforcement: ASTM A615, Grade 60
 Design Loading: standard units - AASHTO - H10

TOP 10,750 Lbs
 BOTTOM 12,000 Lbs

S

DATE: 7-22-2018

Ch 1 Pg 4.2 Sht 2 of 2