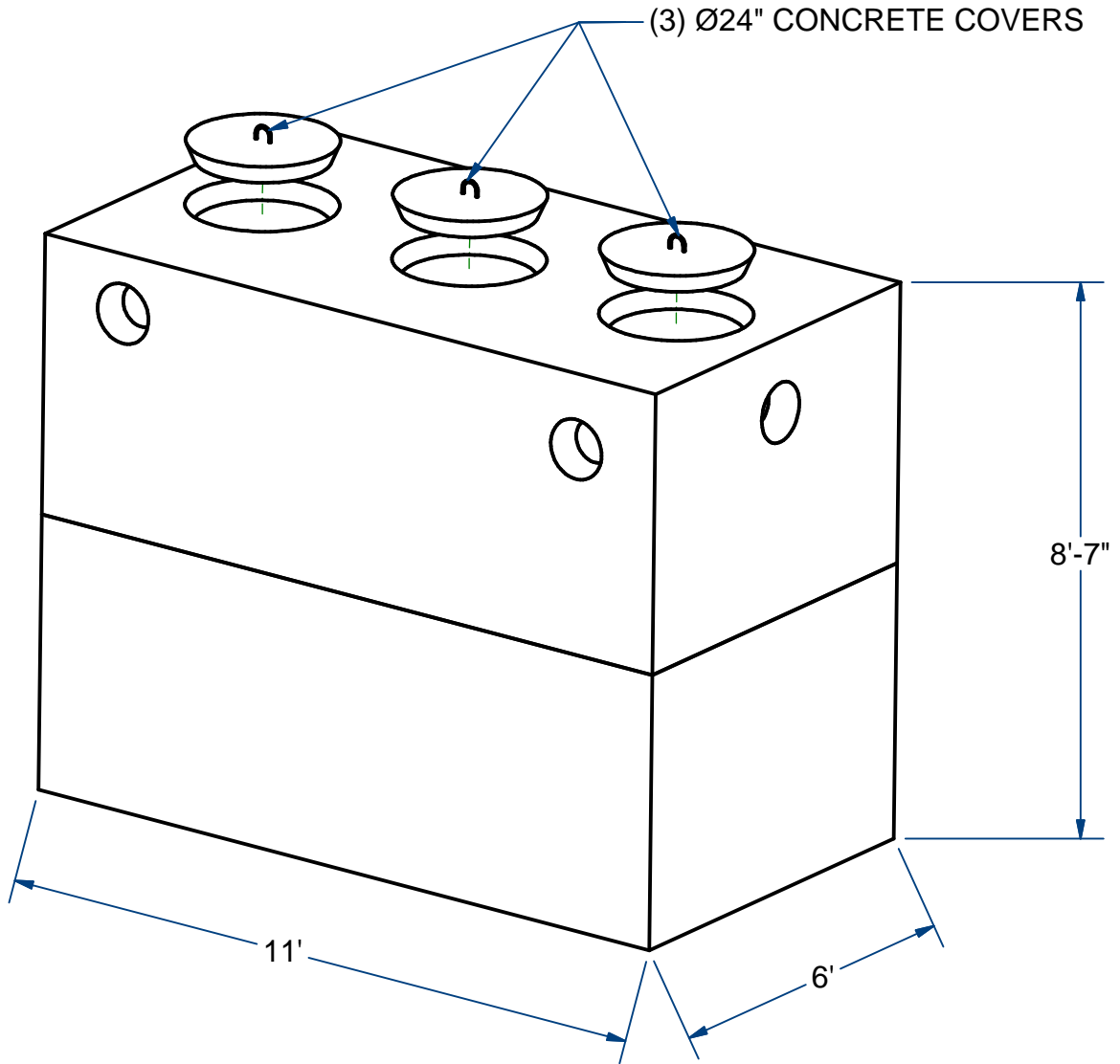


NOTES:

- 1.) SEAM SEALED WITH FLEXIBLE BUTYL RUBBER SEALANT.



**SEPTIC TANK**

H20

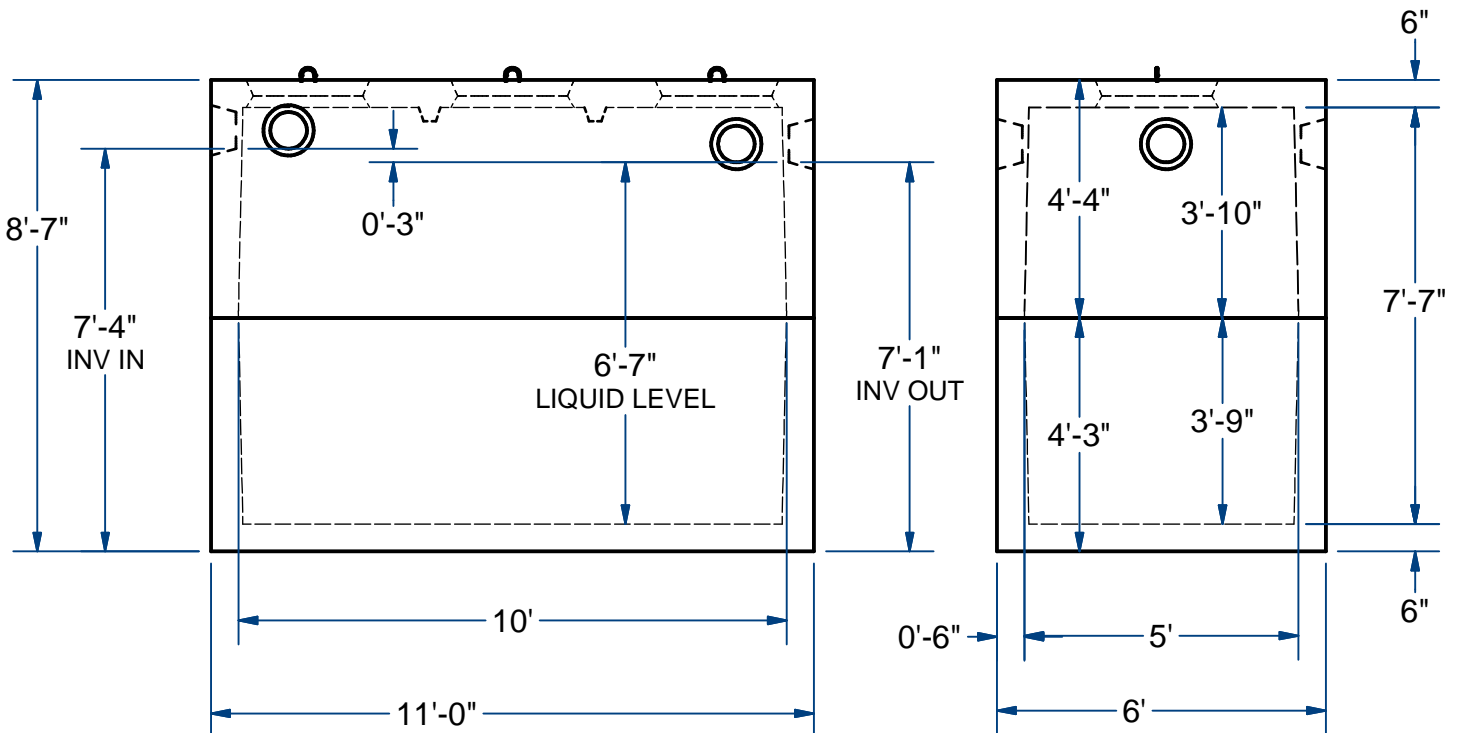
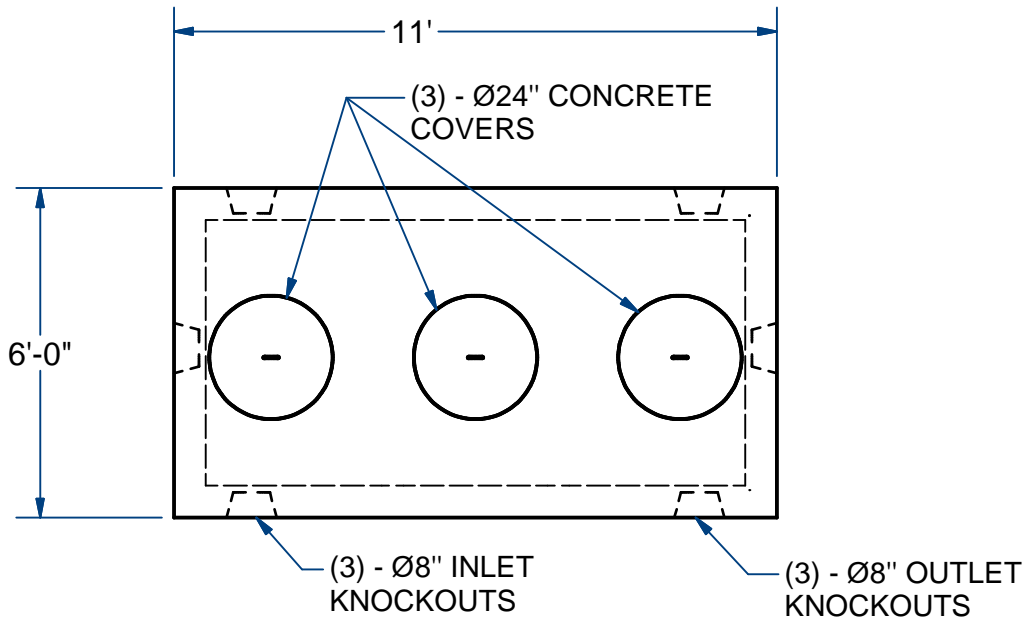
2,500 Gallon

# ACME-SHOREY

PRECAST CONCRETE PRODUCTS

**NOTES:**

- 1.) SEAM SEALED WITH FLEXIBLE BUTYL RUBBER SEALANT.



**NAME: SEPTIC TANK , 2500 Gallon**

**H-20**

**ITEM# ST252**

Concrete Minimum Strength: 5,000 p.s.i. at 28 days  
 Steel Reinforcement: ASTM A615, Grade 60  
 Design Loading: standard units - AASHTO - H20

TOP 15,000 Lbs  
 BOTTOM 14,500 Lbs

H

DATE: 9-20-23

Ch 8

Pg 4.2

Sht 2 of 2