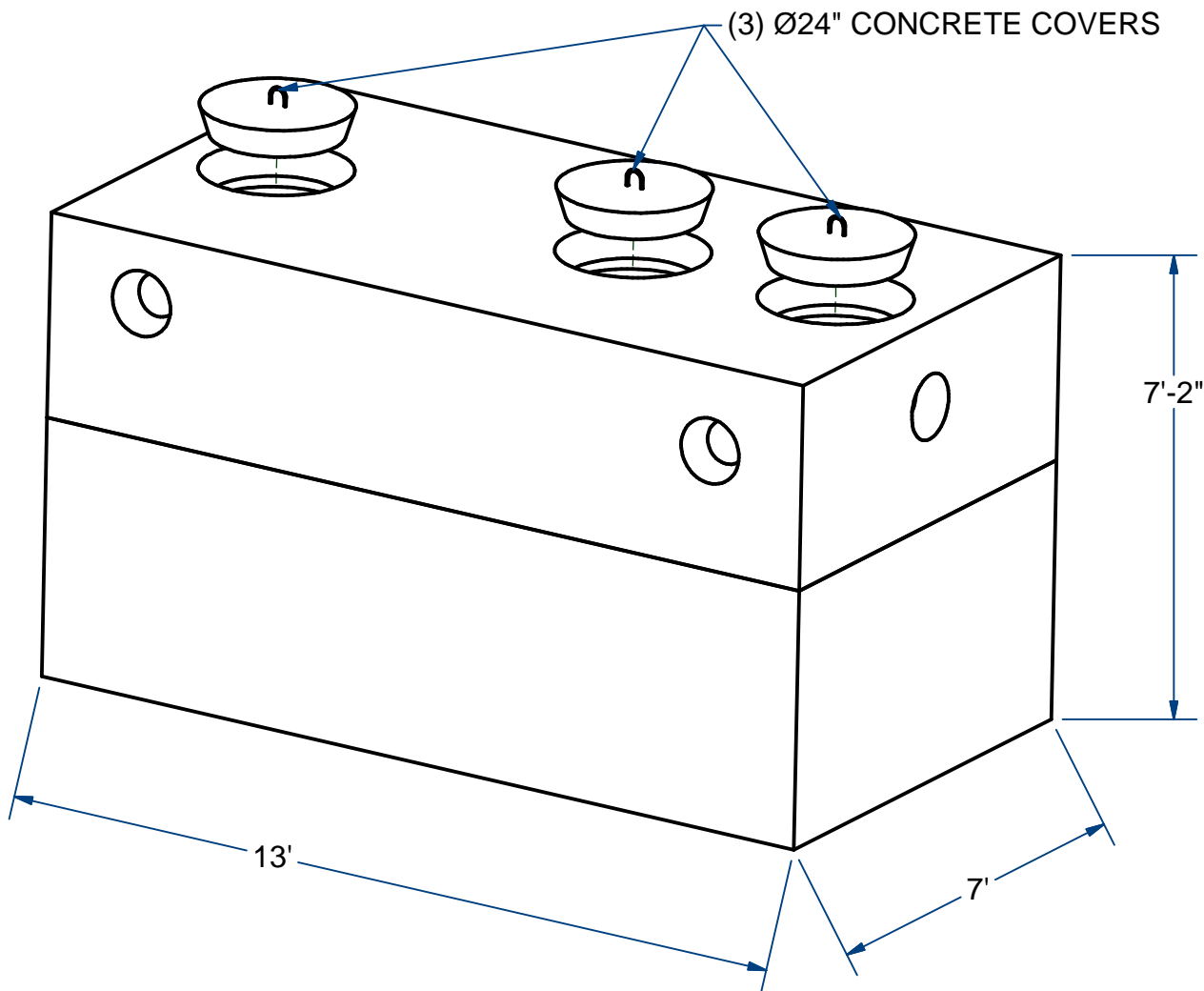


NOTES:

- 1.) SEAM SEALED WITH FLEXIBLE BUTYL RUBBER SEALANT.



SEPTIC TANK, LOW PROFILE

H20

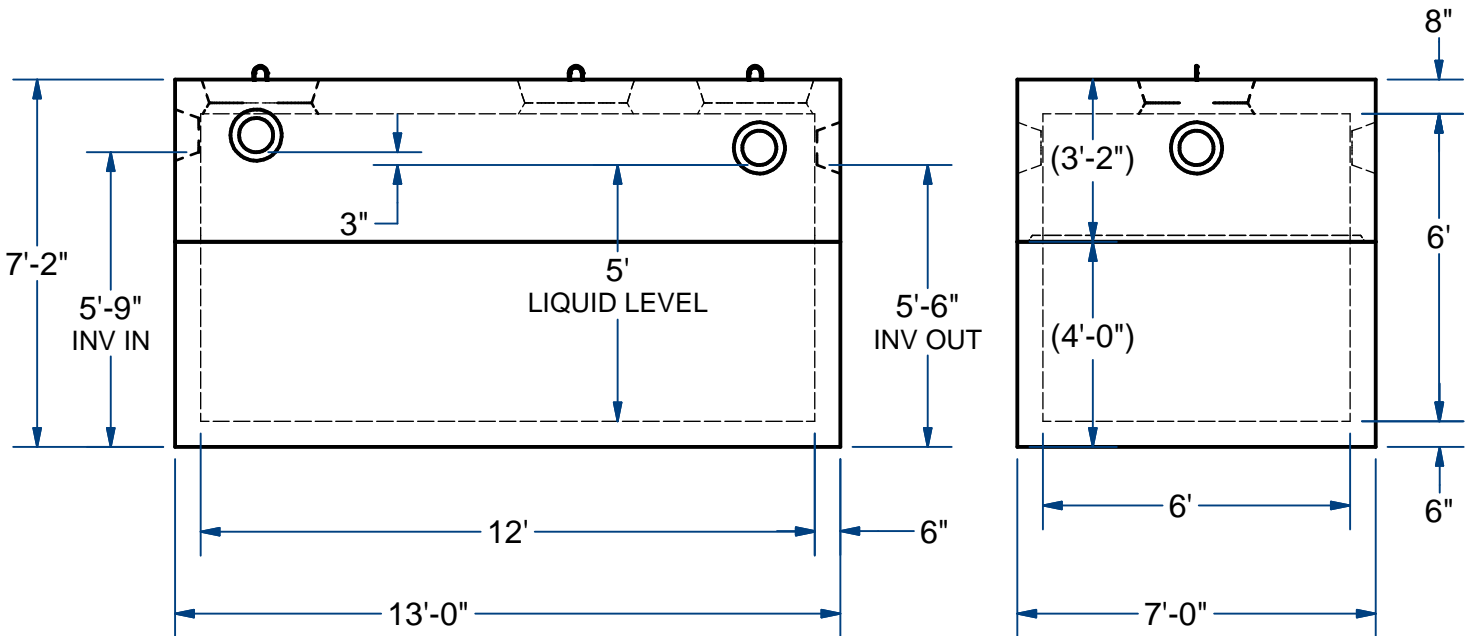
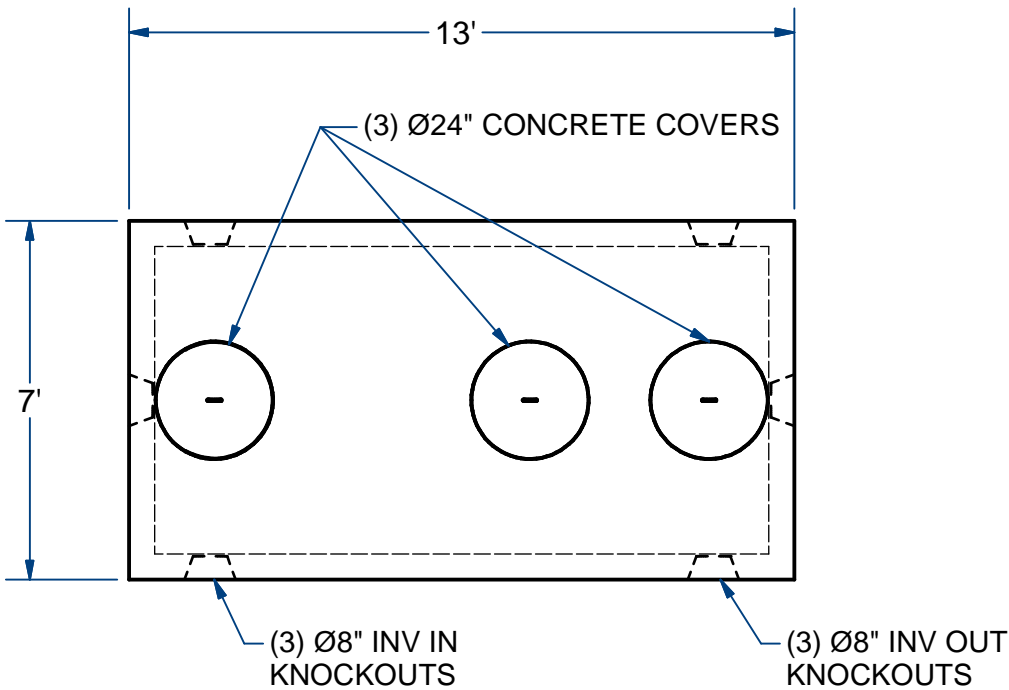
2,500 Gallon

ACME-SHOREY

PRECAST CONCRETE PRODUCTS

NOTES:

- 1.) SEAM SEALED WITH FLEXIBLE BUTYL RUBBER SEALANT.



NAME: SEPTIC TANK, 2,500 Gallon, Low Profile

H-20

ITEM# ST252LP

Concrete Minimum Strength: 5,000 p.s.i. at 28 days
 Steel Reinforcement: ASTM A615, Grade 60
 Design Loading: standard units - AASHTO - H20

TOP 16,000 Lbs
 BOTTOM 18,350 Lbs

C

DATE: 5-3-2019

Ch 8 Pg 4.1 Sht 2 of 2