

ACME-SHOREY

PRECAST CONCRETE PRODUCTS

WWW.ACMESHOREY.COM

PHONE (508) 548-9607

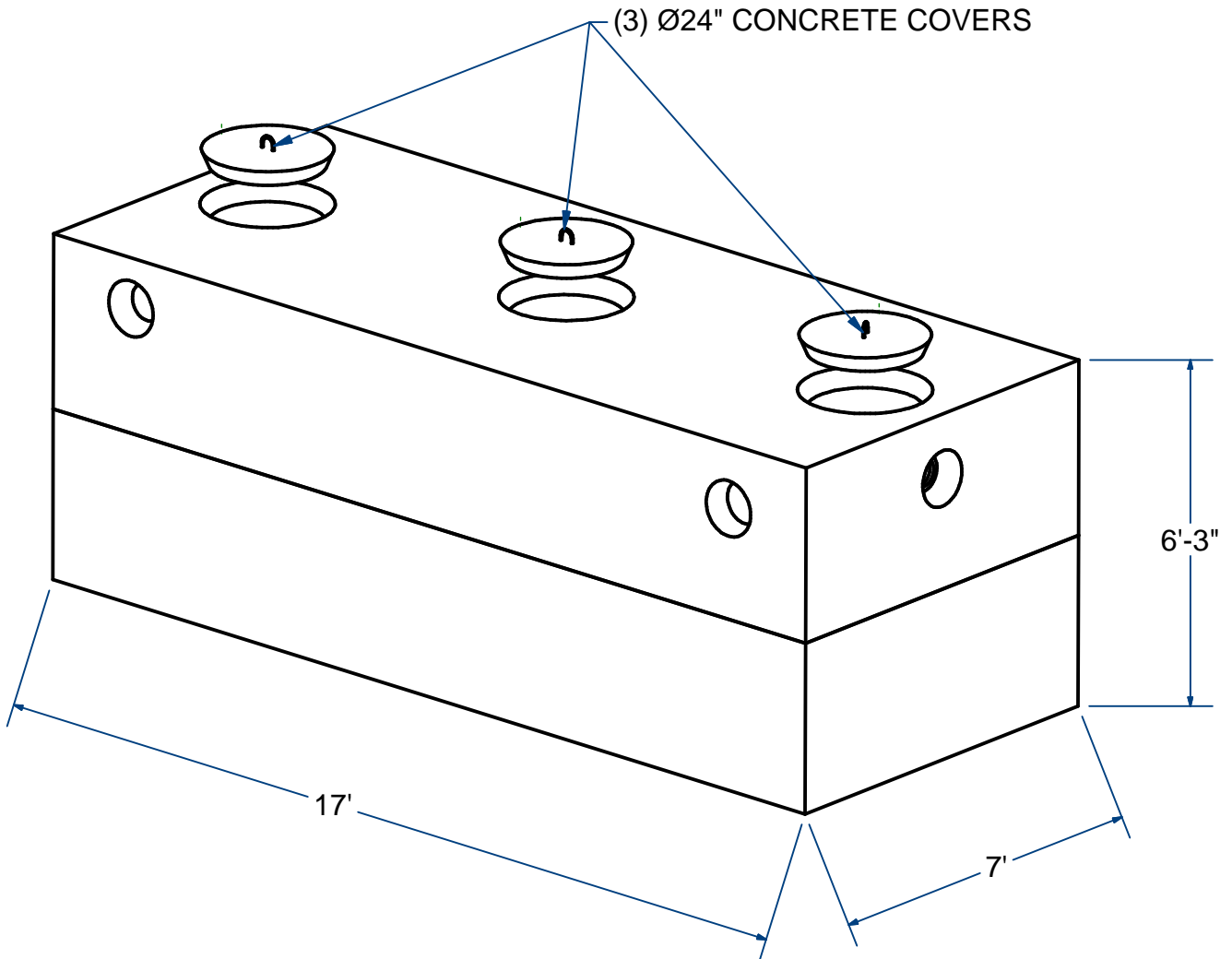
FAX (508) 548-1664

CARVER, MA
334 TREMONT STREET

HARWICH, MA
36 GREAT WESTERN ROAD

NOTES:

- 1.) SEAM SEALED WITH FLEXIBLE BUTYL RUBBER SEALANT.



7'X17' SEPTIC TANK

3000 Gallon

H20

ITEM# ST730H

Wt. 37,000 Lbs

8 -15.1

Sht 1 of 2

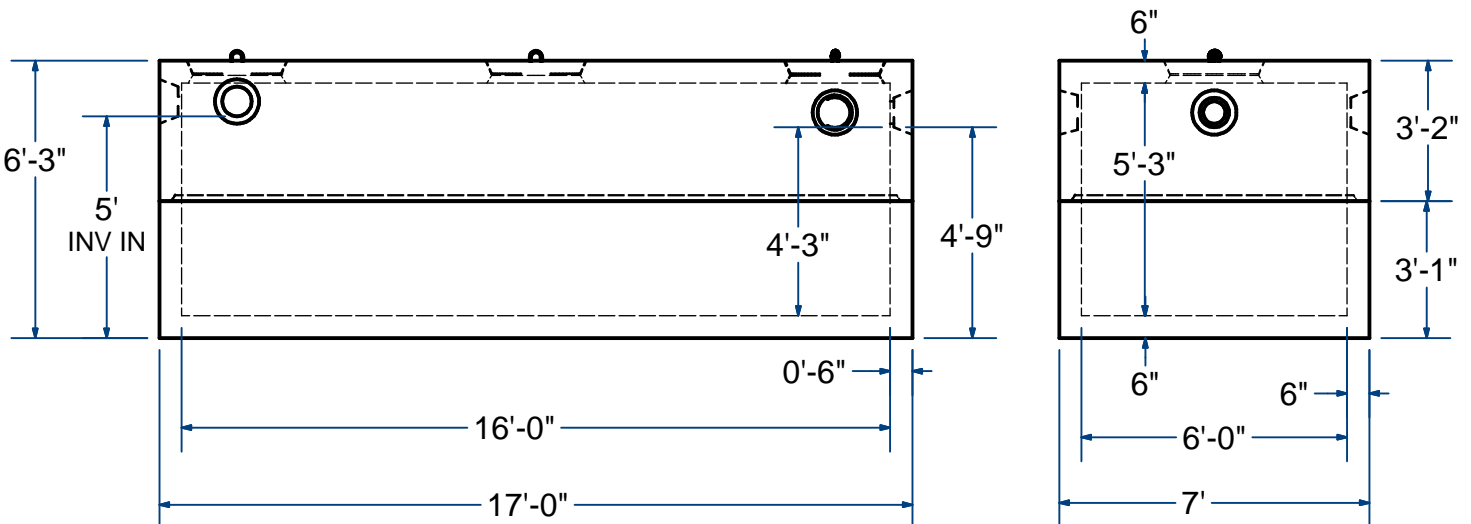
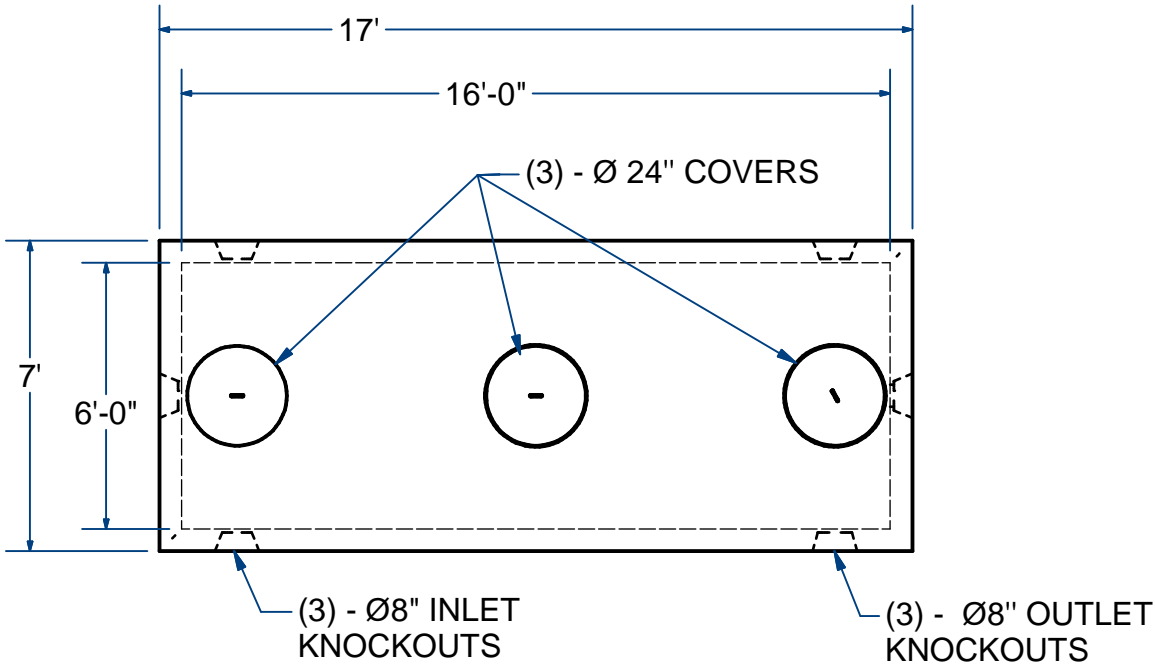
ACME-SHOREY

PRECAST CONCRETE PRODUCTS

NOTES:

- 1.) SEAM SEALED WITH FLEXIBLE BUTYL RUBBER SEALANT.

Each	Ht	wt.(Lbs)
Top	38"	18,000
Bottom	37"	19,000
		37000



NAME: 7'X17' SEPTIC TANK, 3000 Gallon

H-20

ITEM# ST730H

Concrete Minimum Strength: 5,000 p.s.i. at 28 days
 Steel Reinforcement: ASTM A615, Grade 60
 Design Loading: standard units - AASHTO - H20

WEIGHT 37,000 Lbs

H

DATE: 1-9-23

Ch 8 Pg 15.1 Sht 2 of 2