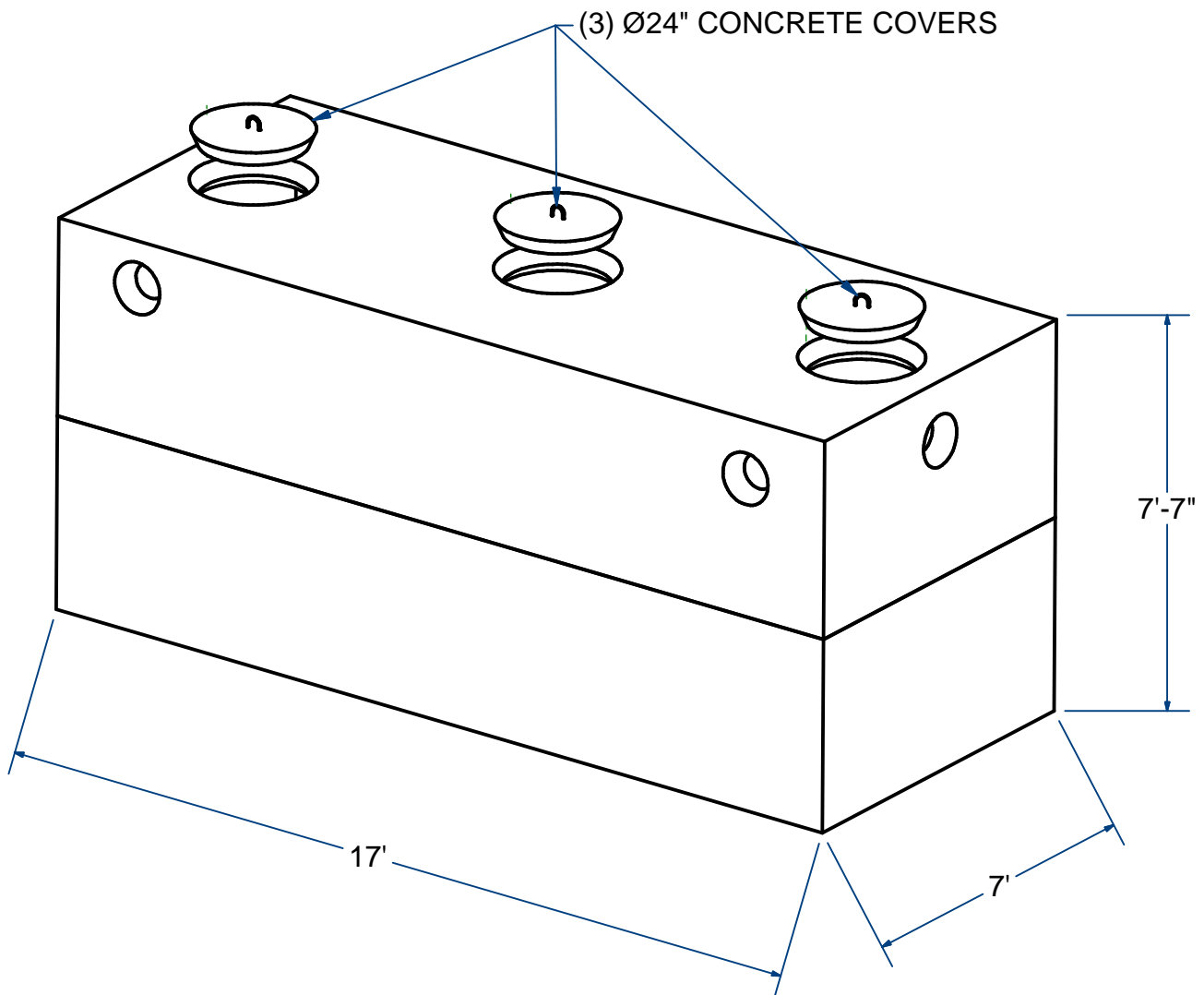


NOTES:

- 1.) SEAM SEALED WITH FLEXIBLE BUTYL RUBBER SEALANT.



7'x17' SEPTIC TANK

4000 Gallon

H20

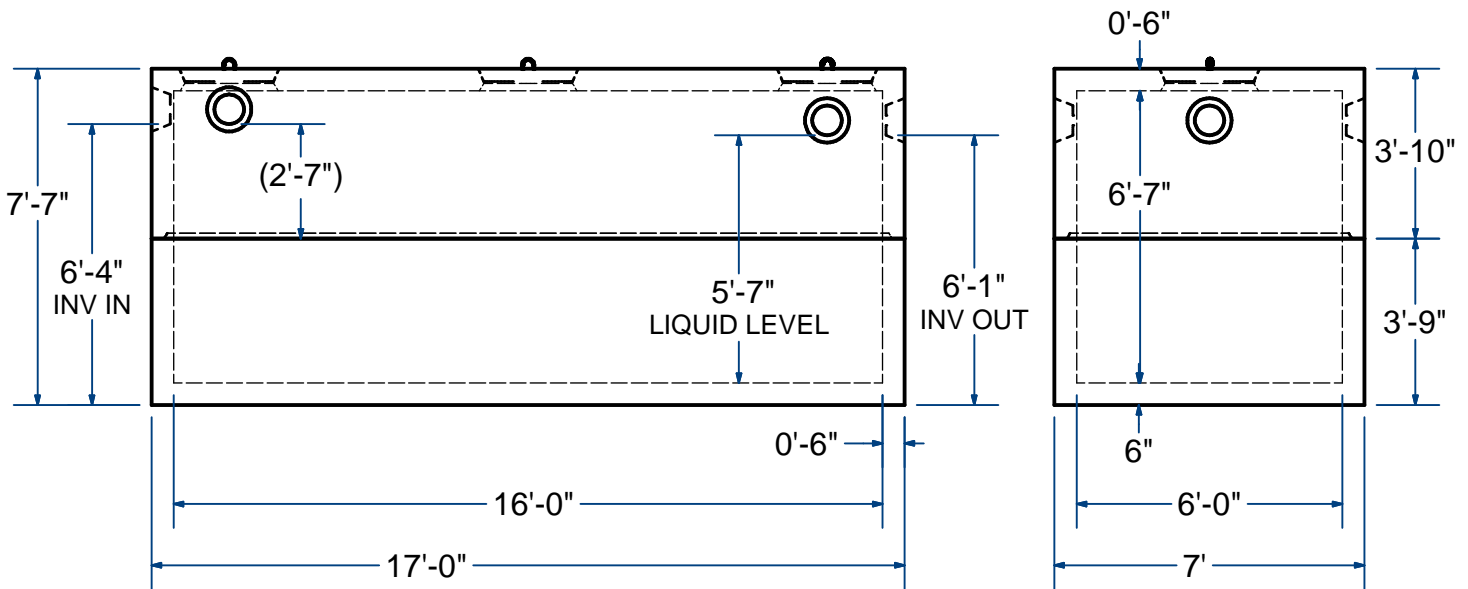
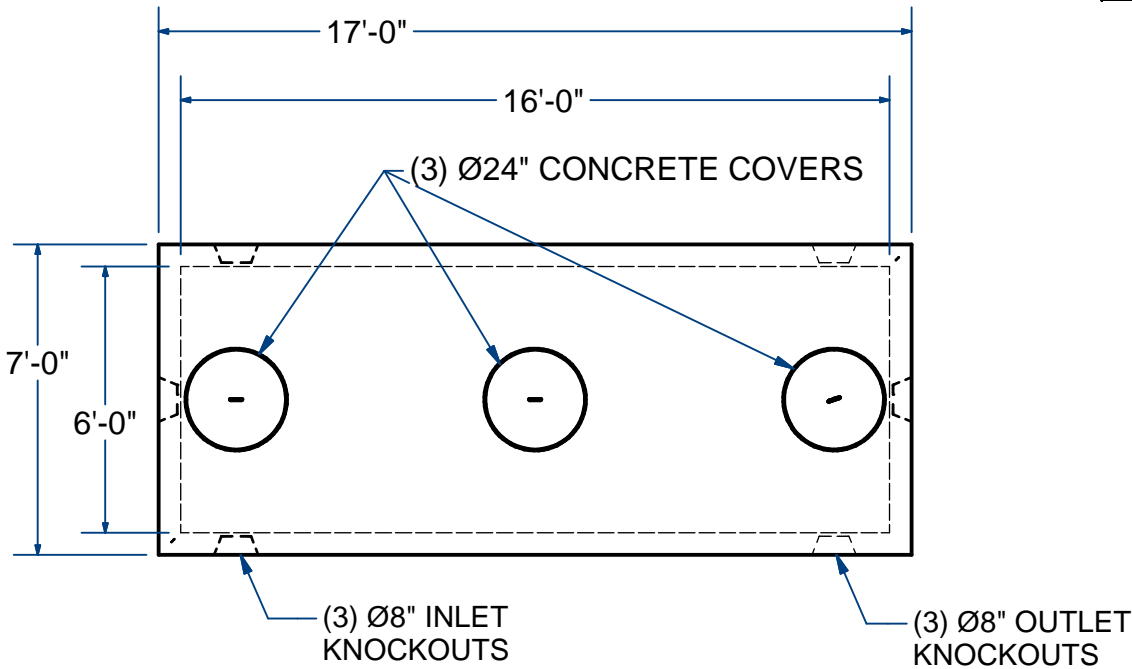
ACME-SHOREY

PRECAST CONCRETE PRODUCTS

NOTES:

- 1.) SEAM SEALED WITH FLEXIBLE BUTYL RUBBER SEALANT.

Each	Ht	wt. (Lbs)
Top	46"	20,500
Bottom	45"	21,600
		42100



NAME: 7'X17' SEPTIC TANK, 4000 Gallon

H-20

ITEM# ST740H

Concrete Minimum Strength: 5,000 p.s.i. at 28 days
 Steel Reinforcement: ASTM A615, Grade 60
 Design Loading: standard units - AASHTO - H20

WEIGHT 42,100 Lbs

H

DATE: 1-9-23

Ch 8

Pg 15.3

Sht 2 of 2