

# ACME-SHOREY

PRECAST CONCRETE PRODUCTS

WWW.ACMESHOREY.COM

PHONE (508) 548-9607

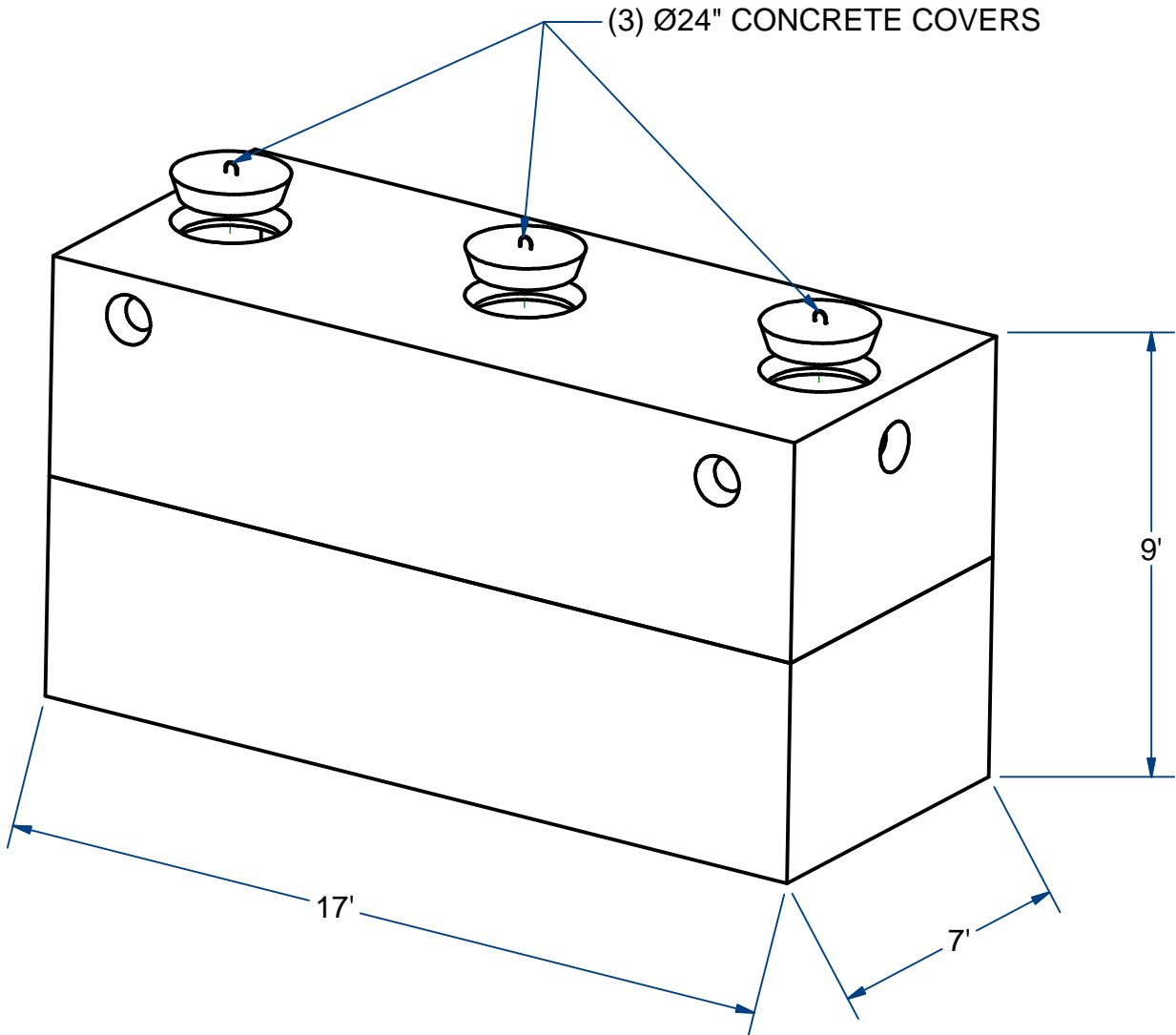
FAX (508) 548-1664

CARVER, MA  
334 TREMONT STREET

HARWICH, MA  
36 GREAT WESTERN ROAD

NOTES:

- 1.) SEAM SEALED WITH FLEXIBLE BUTYL RUBBER SEALANT.



## 7'X17' SEPTIC TANK

5,000 Gallon

H20

ITEM# ST750H

Wt. 46,750 Lbs

8 -15.5

Sht 1 of 2

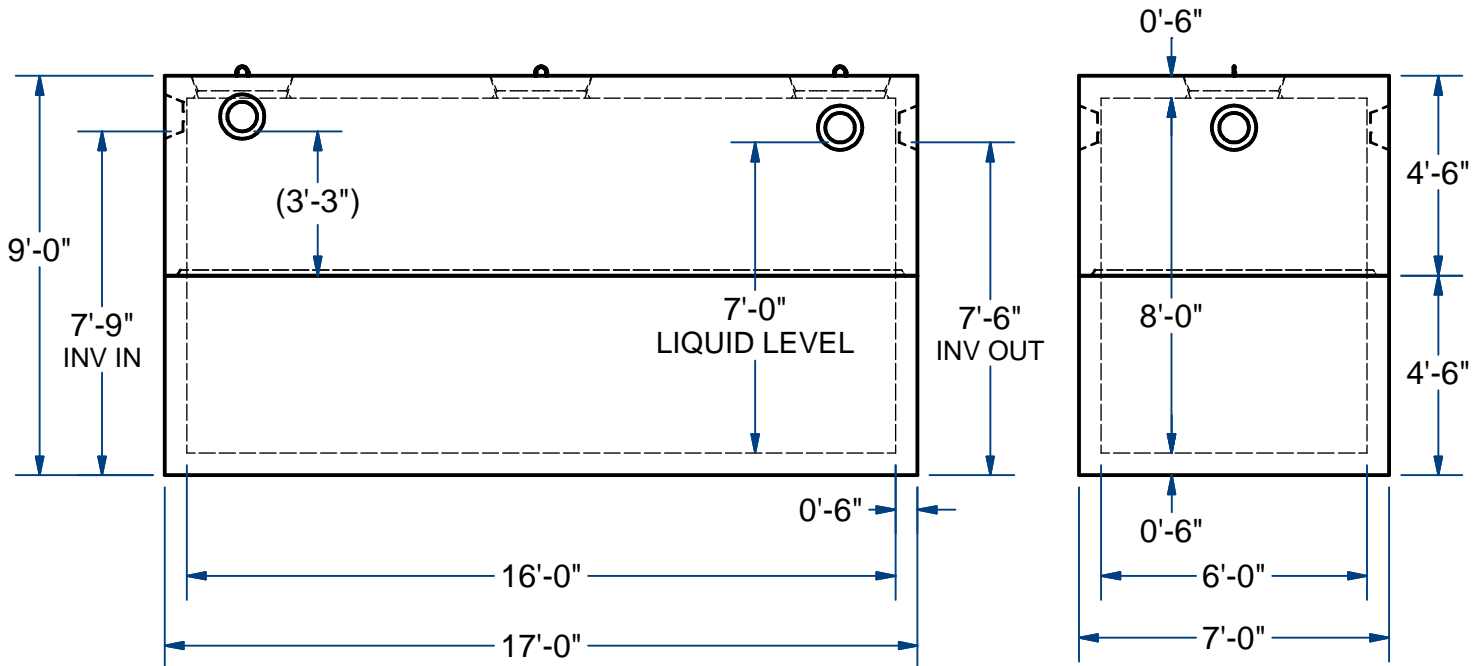
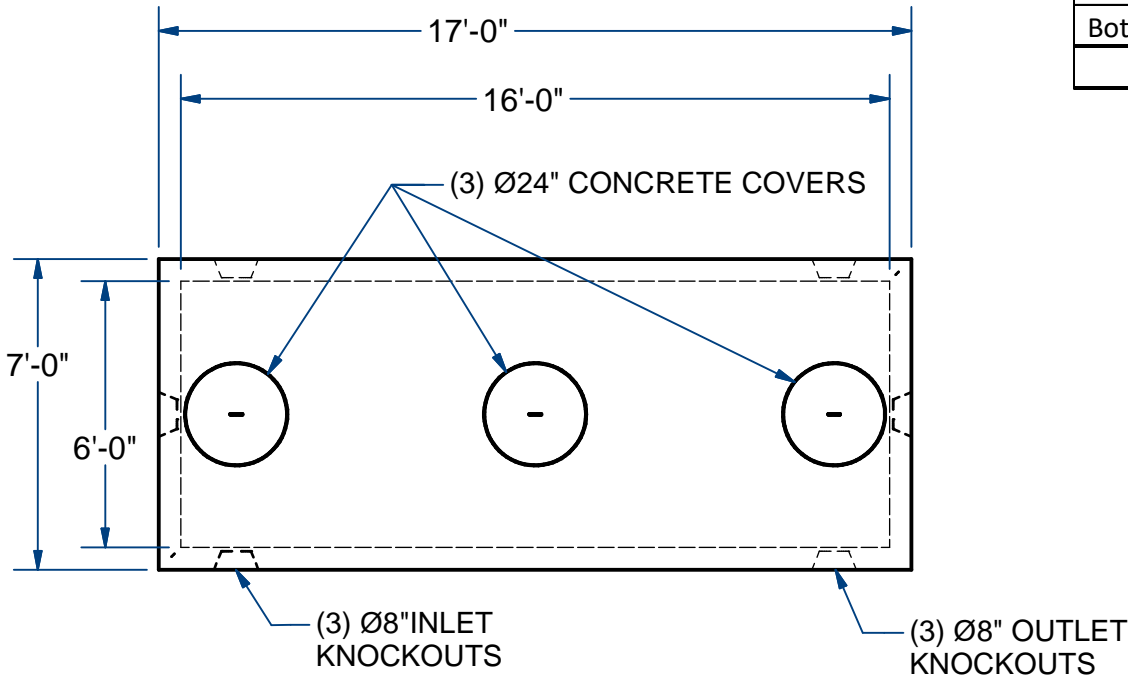
# ACME-SHOREY

PRECAST CONCRETE PRODUCTS

**NOTES:**

- 1.) SEAM SEALED WITH FLEXIBLE BUTYL RUBBER SEALANT.

Each	Ht	wt.(Lbs)
Top	54"	22,750
Bottom	54"	24,000
		46750



**NAME: 7' X 17' SEPTIC TANK, 5000 Gallon**

**H-20**

**ITEM# ST750H**

Concrete Minimum Strength: 5,000 p.s.i. at 28 days  
 Steel Reinforcement: ASTM A615, Grade 60  
 Design Loading: standard units - AASHTO - H20

**WEIGHT 46,750 Lbs**

**H**

**DATE: 1-9-23**