

ACME-SHOREY

PRECAST CONCRETE PRODUCTS

WWW.ACME-SHOREY.COM

PHONE (508) 548-9607

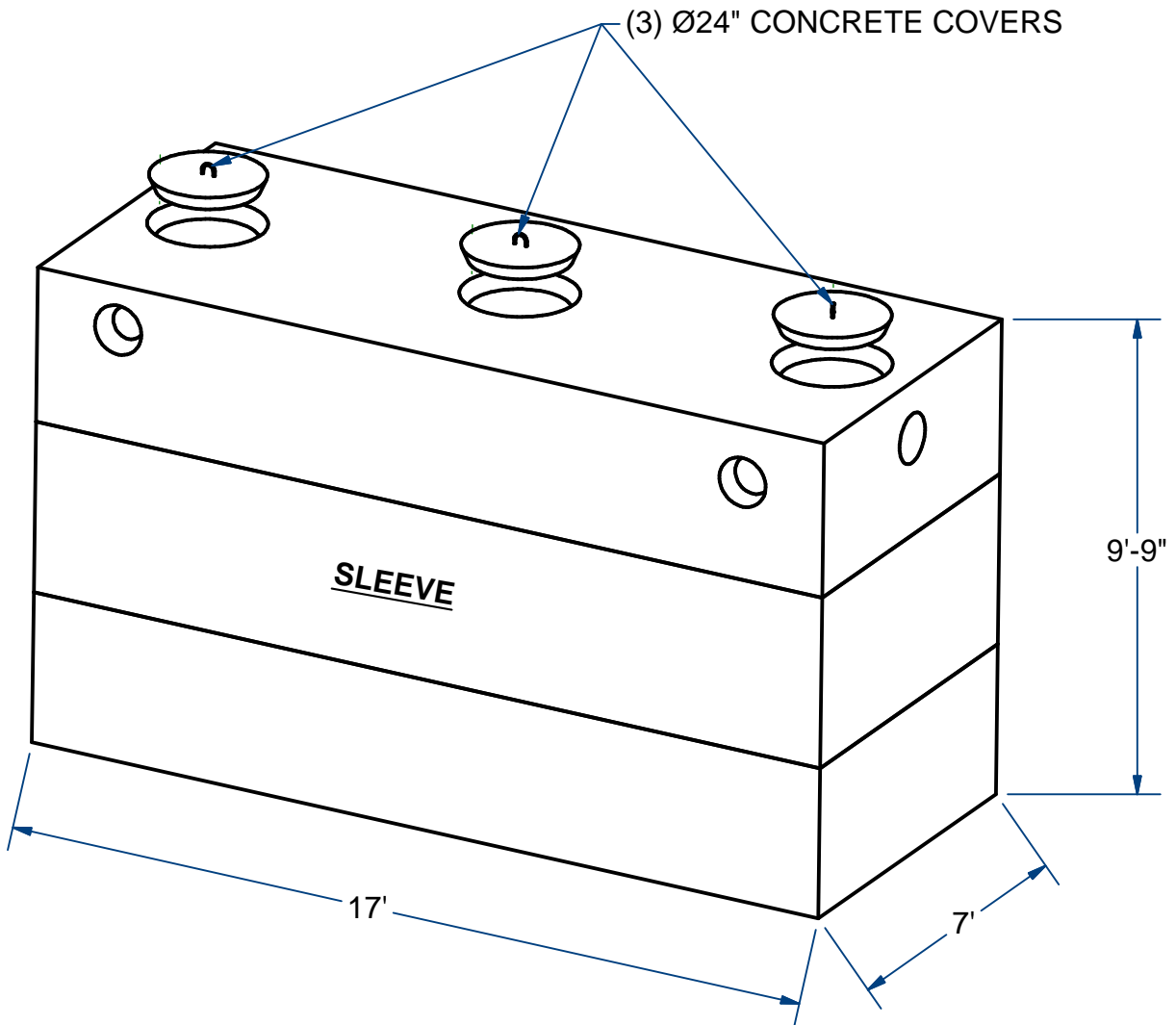
FAX (508) 548-1664

CARVER, MA
334 TREMONT STREET

HARWICH, MA
36 GREAT WESTERN ROAD

NOTES:

- 1.) SEAM SEALED WITH FLEXIBLE BUTYL RUBBER SEALANT.



7'X17' SEPTIC TANK

5,500 Gallon

H20

ITEM# ST755H

Wt. 49,750 Lbs

8 -15.6

Sht 1 of 2

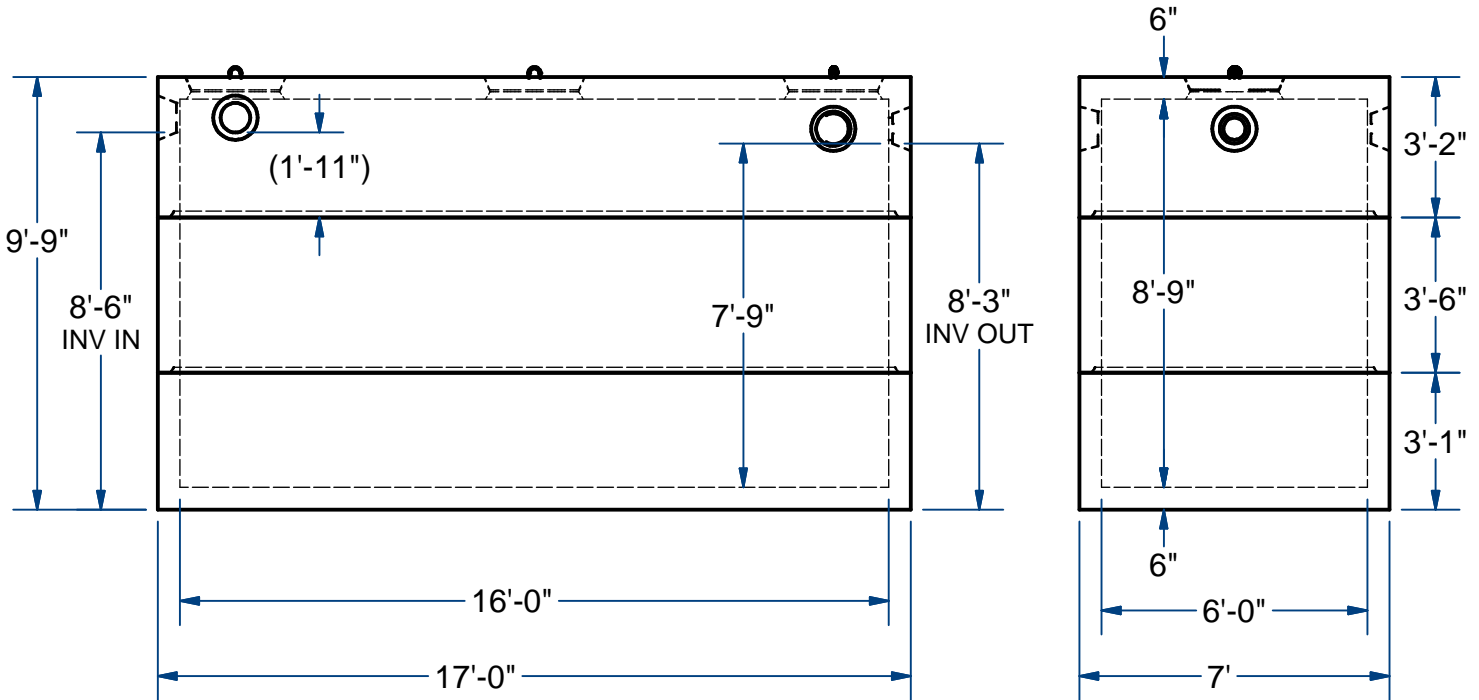
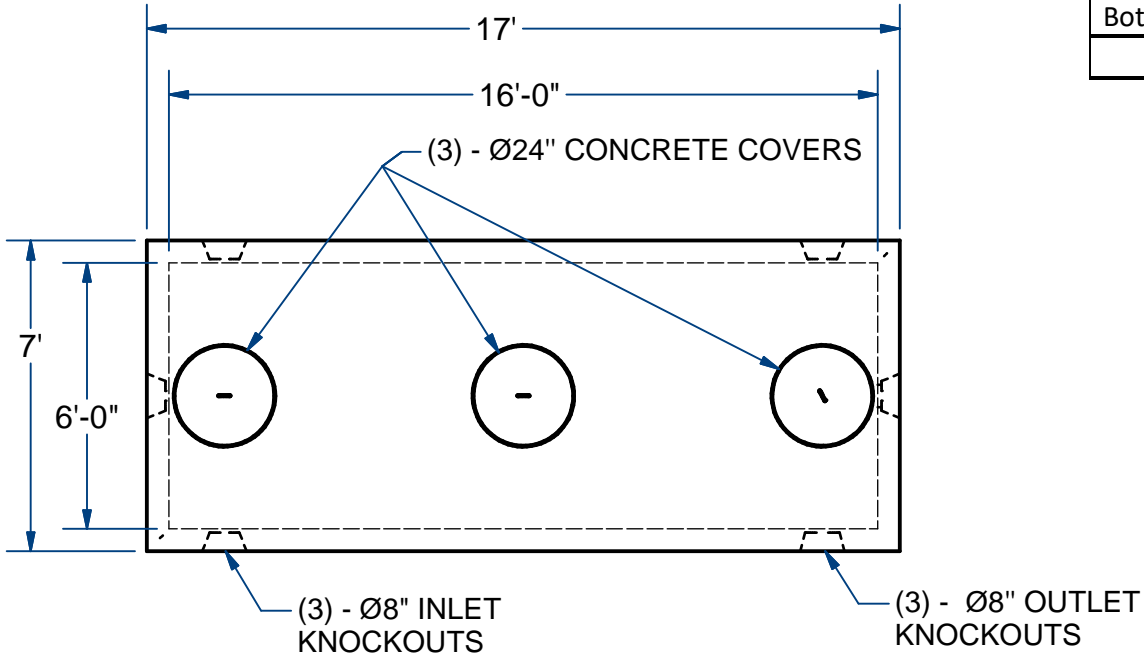
ACME-SHOREY

PRECAST CONCRETE PRODUCTS

NOTES:

1.) SEAM SEALED WITH FLEXIBLE BUTYL RUBBER SEALANT.

Each	Ht	wt. (Lbs)
Top	38"	18,000
Sleeve	42"	12,750
Bottom	37"	19,000
		49,750



NAME: 7'X17' SEPTIC TANK, 5500 Gallon

H-20

ITEM# ST755H

Concrete Minimum Strength: 5,000 p.s.i. at 28 days
 Steel Reinforcement: ASTM A615, Grade 60
 Design Loading: standard units - AASHTO - H20

WEIGHT 49,750 Lbs

H

DATE: 1-9-23

Ch 8 Pg 15.6 Sht 2 of 2