

ACME-SHOREY

PRECAST CONCRETE PRODUCTS

WWW.ACMESHOREY.COM

PHONE (508) 548-9607

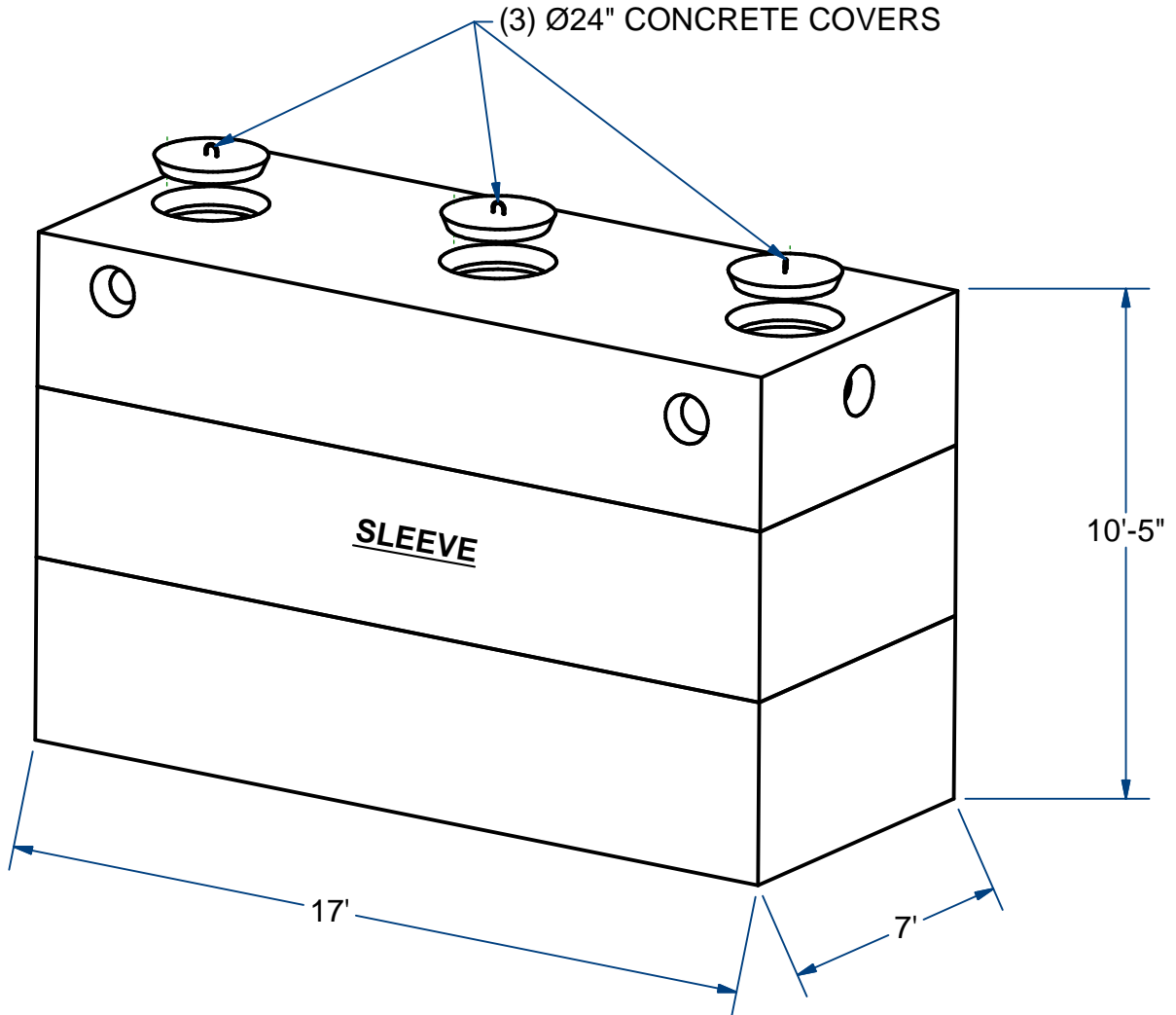
FAX (508) 548-1664

CARVER, MA
334 TREMONT STREET

HARWICH, MA
36 GREAT WESTERN ROAD

NOTES:

- 1.) SEAM SEALED WITH FLEXIBLE BUTYL RUBBER SEALANT.



7'X17' SEPTIC TANK

6000 Gallon

H2O

ITEM# ST760H

Wt. 52,350 Lbs

8 -15.7

Sht 1 of 2

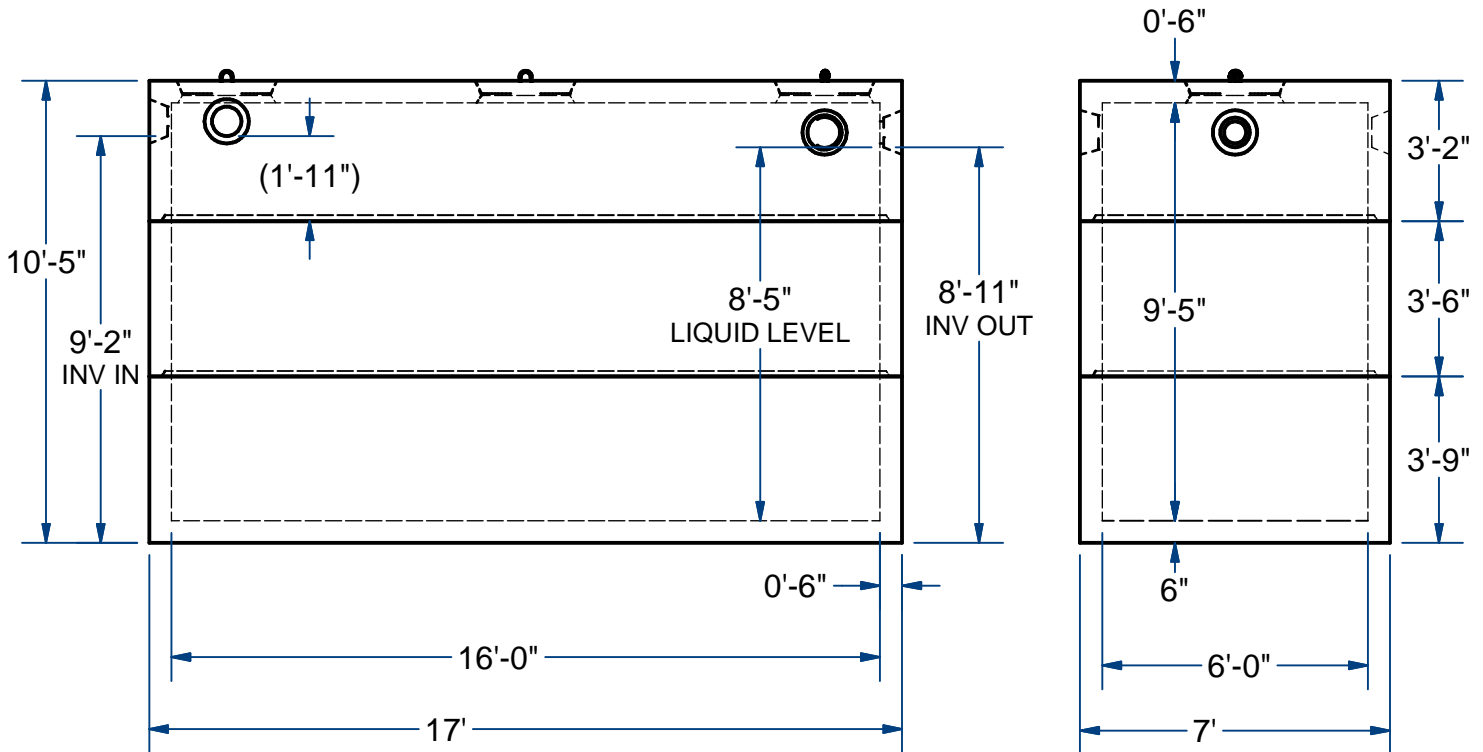
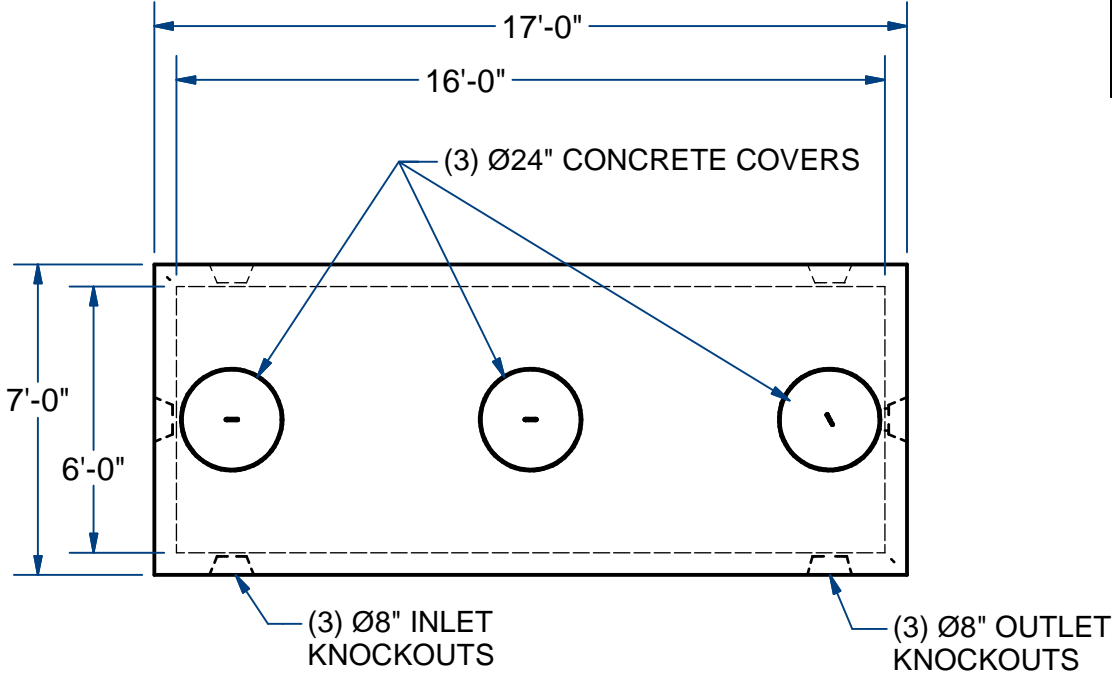
ACME-SHOREY

PRECAST CONCRETE PRODUCTS

NOTES:

- 1.) SEAM SEALED WITH FLEXIBLE BUTYL RUBBER SEALANT.

Each	Ht	wt.(Lbs)
Top	38"	18,000
Sleeve	42"	12,750
Bottom	45"	21,600
		52,350



NAME: 7'X17' X SEPTIC TANK, 6000 Gallon

H-20

ITEM# ST760H

Concrete Minimum Strength: 5,000 p.s.i. at 28 days
 Steel Reinforcement: ASTM A615, Grade 60
 Design Loading: standard units - AASHTO - H20

WEIGHT 52,350 Lbs

H

DATE: 1-9-23

Ch 8 Pg 15.7 Sht 2 of 2