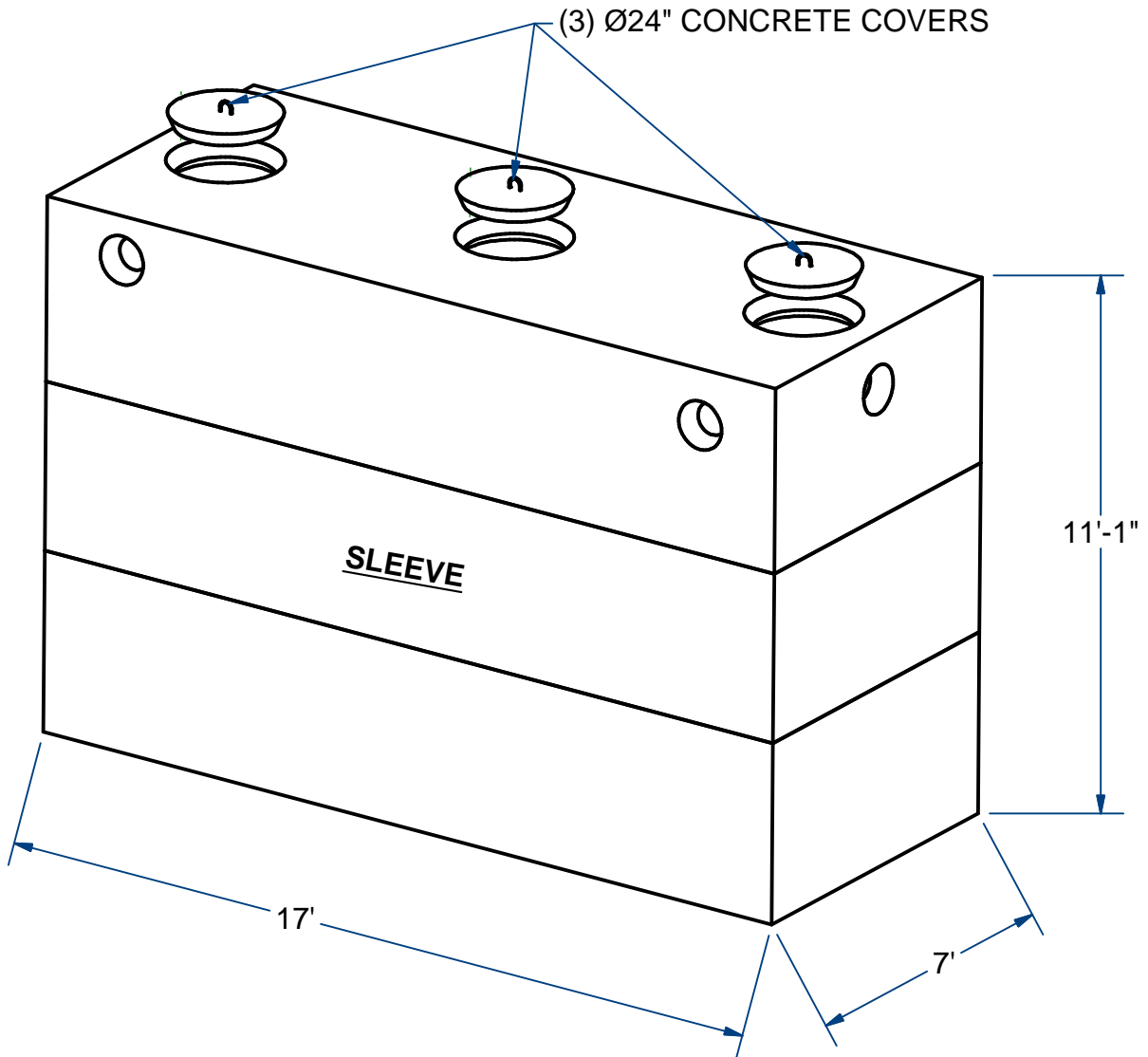


NOTES:

- 1.) SEAM SEALED WITH FLEXIBLE BUTYL RUBBER SEALANT.



**7'X17' SEPTIC TANK**

6,500 Gallon

H20

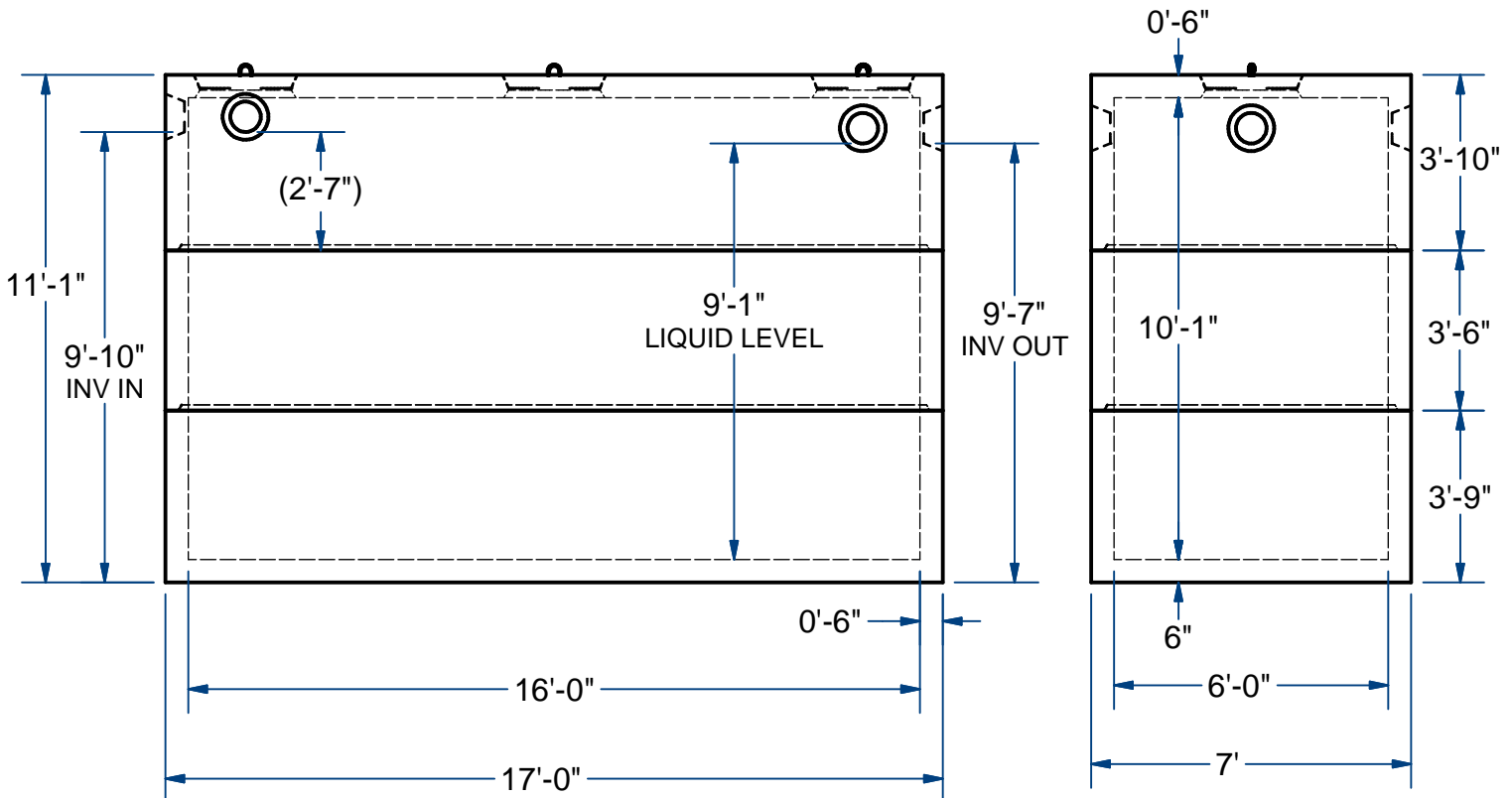
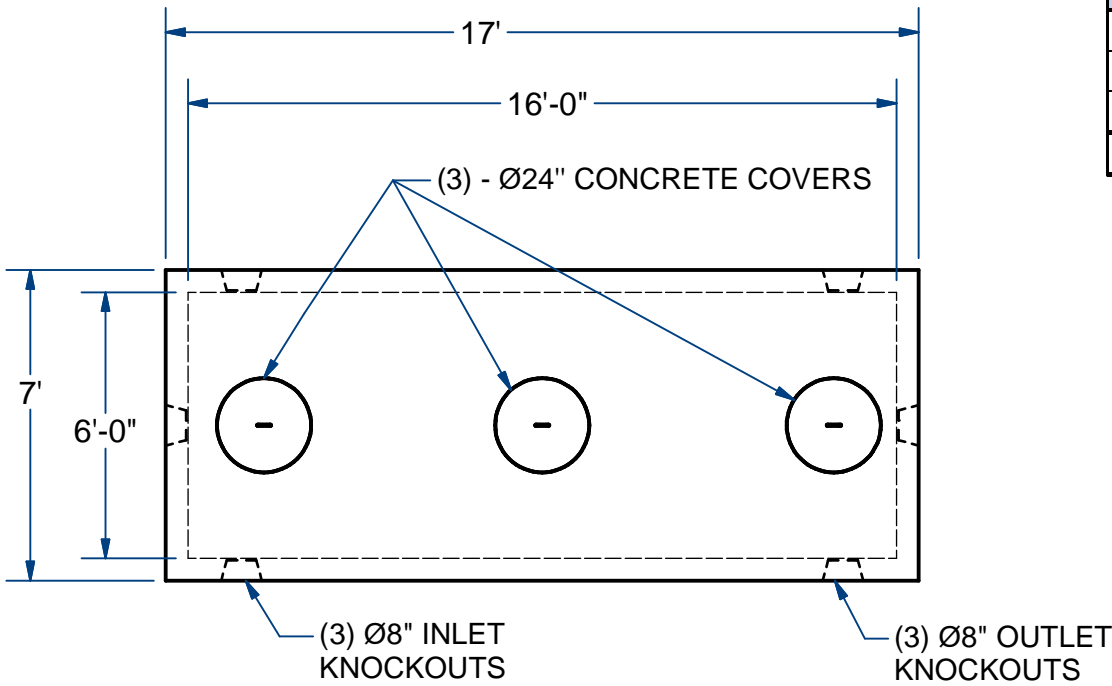
# ACME-SHOREY

PRECAST CONCRETE PRODUCTS

**NOTES:**

- 1.) SEAM SEALED WITH FLEXIBLE BUTYL RUBBER SEALANT.

Each	Ht	wt.(Lbs)
Top	46"	20,500
Sleeve	42"	12,750
Bottom	45"	21,600
		54,850



**NAME: 7'X17' SEPTIC TANK, 6500 Gallons**

**H-20**

**ITEM# ST765H**

Concrete Minimum Strength: 5,000 p.s.i. at 28 days  
 Steel Reinforcement: ASTM A615, Grade 60  
 Design Loading: standard units - AASHTO - H20

WEIGHT 54,850 Lbs

H

DATE: 1-9-23