

ACME-SHOREY

PRECAST CONCRETE PRODUCTS

WWW.ACMESHOREY.COM

PHONE (508) 548-9607

FAX (508) 548-1664

CARVER, MA

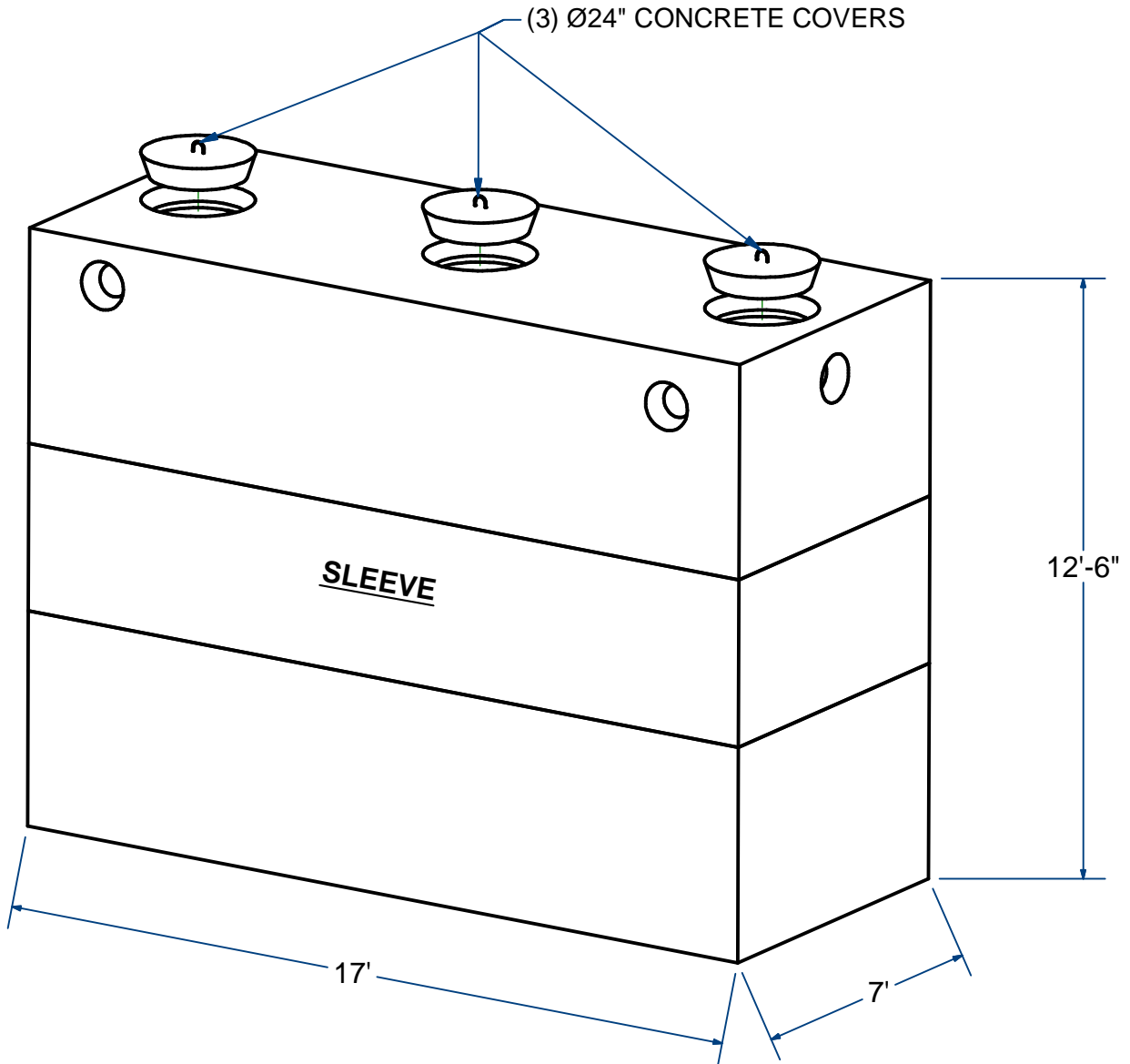
334 TREMONT STREET

HARWICH, MA

36 GREAT WESTERN ROAD

NOTES:

- 1.) SEAM SEALED WITH FLEXIBLE BUTYL RUBBER SEALANT.



7'x17' SEPTIC TANK

7,500 Gallon

H20

ITEM# ST775H

Wt. 59,500 Lbs

8 -15.10

Sht 1 of 2

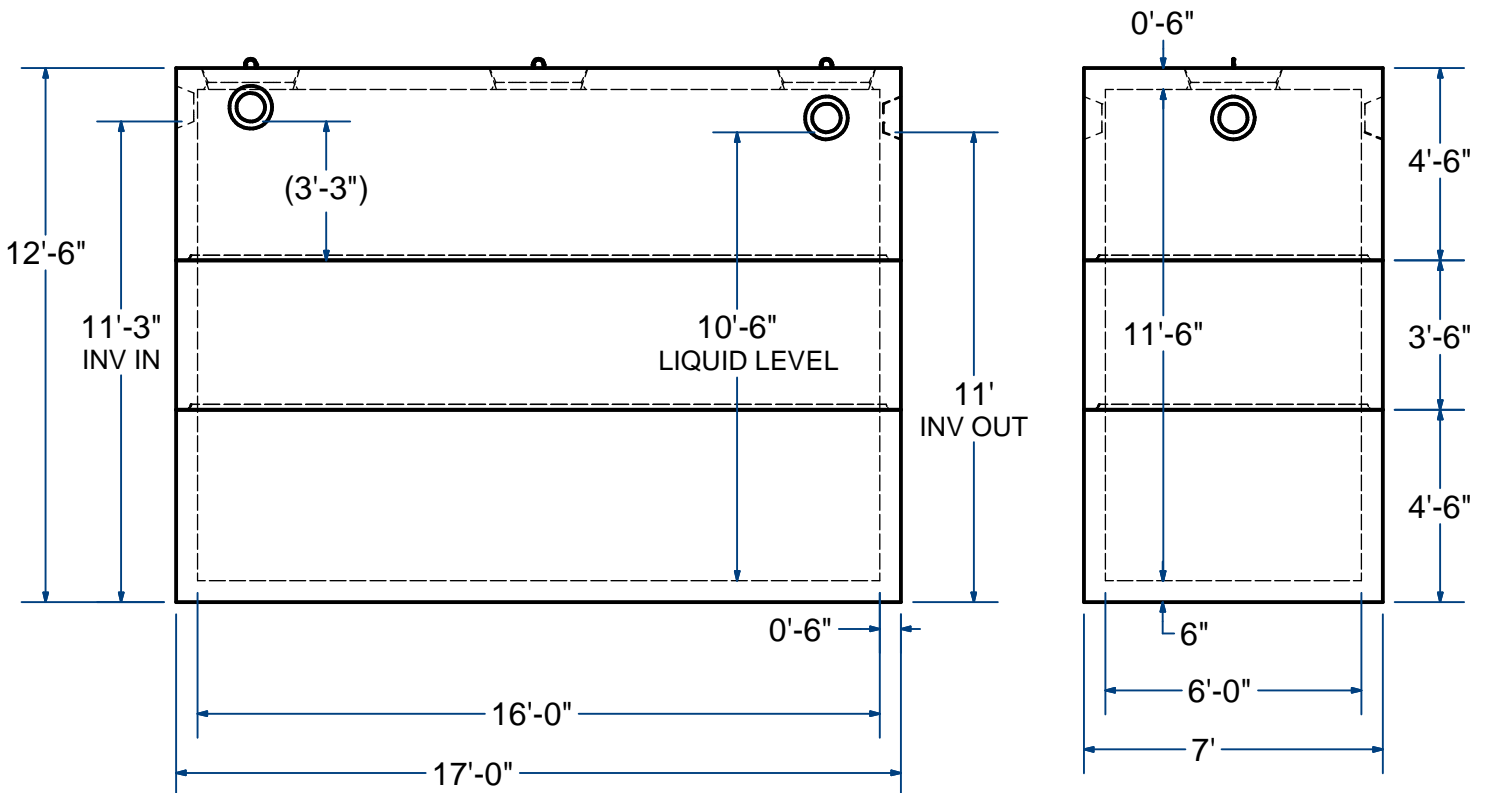
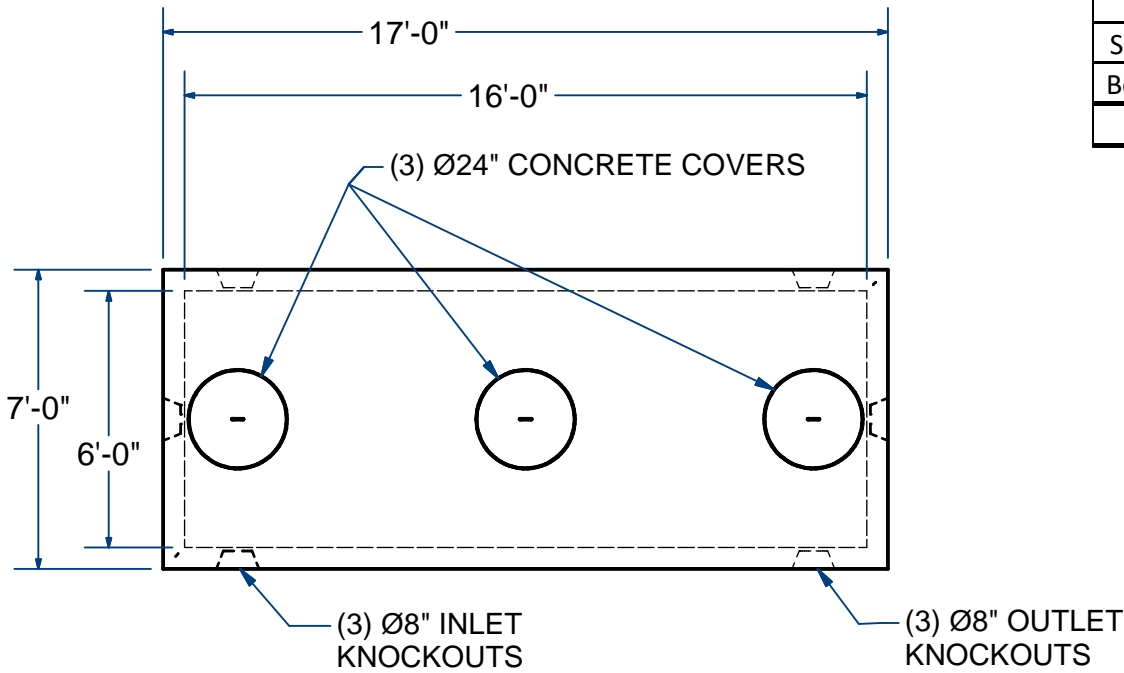
ACME-SHOREY

PRECAST CONCRETE PRODUCTS

NOTES:

1.) SEAM SEALED WITH FLEXIBLE BUTYL RUBBER SEALANT.

Each	Ht	wt.(Lbs)
Top	54"	22,750
Sleeve	42"	12,750
Bottom	54"	24,000
		59,500



NAME: 7' X 17' SEPTIC TANK, 7500 Gallons

H-20

ITEM# ST775H

Concrete Minimum Strength: 5,000 p.s.i. at 28 days
 Steel Reinforcement: ASTM A615, Grade 60
 Design Loading: standard units - AASHTO - H20

WEIGHT 59,500 Lbs

H

DATE: 1-9-23

Ch 8 Pg 15.10 Sht 2 of 2