

ACME-SHOREY

PRECAST CONCRETE PRODUCTS

WWW.ACMESHOREY.COM

PHONE (508) 548-9607

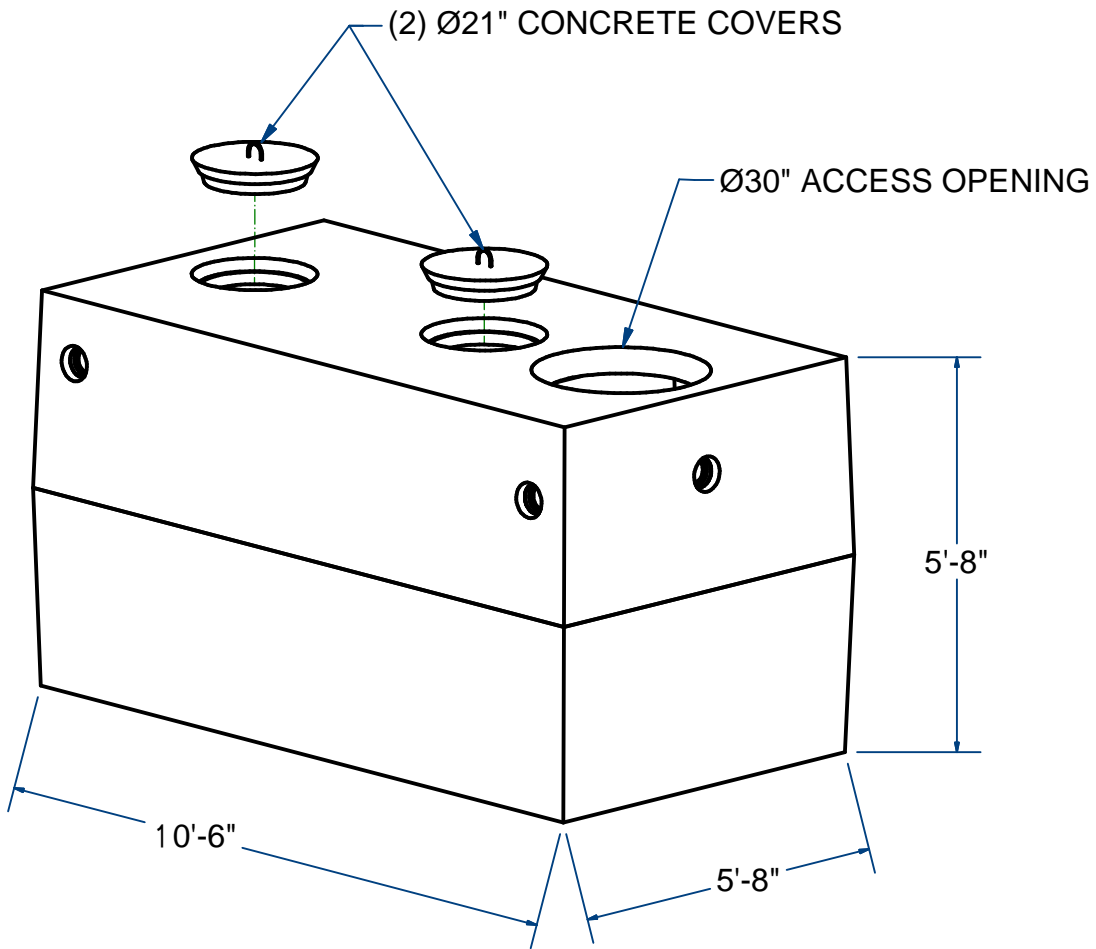
FAX (508) 548-1664

CARVER, MA
334 TREMONT STREET

HARWICH, MA
36 GREAT WESTERN ROAD

NOTES:

- 1.) SEAM SEALED WITH FLEXIBLE BUTYL RUBBER SEALANT.



SEPTIC TANK PUMP CHAMBER

H10

1,500 GALLON

ITEM# STPC1530

Wt. 13,000 Lbs

3 -2.2

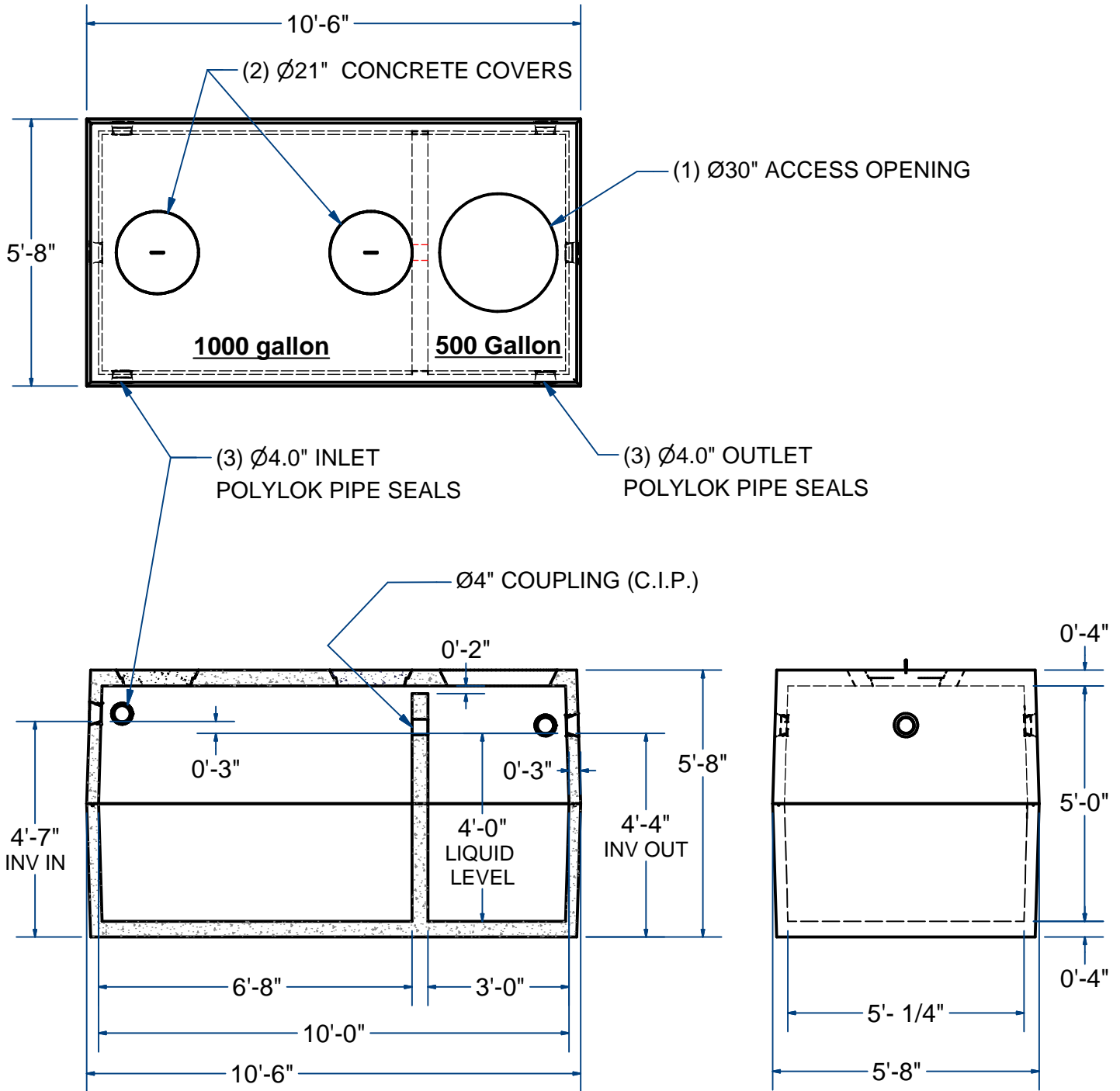
Sht 1 of 2

ACME-SHOREY

PRECAST CONCRETE PRODUCTS

NOTES:

- 1.) SEAM SEALED WITH FLEXIBLE BUTYL RUBBER SEALANT.



NAME: SEPTIC TANK-PUMP CHAMBER, 1500Gal H-10

ITEM# STPC1530

Concrete Minimum Strength: 4,000 p.s.i. at 28 days
 Steel Reinforcement: ASTM A615, Grade 60
 Design Loading: standard units - AASHTO - H10

TOP 6,500 Lbs
 BOTTOM 6,500 Lbs

CH

DATE: 3-8-2019

Ch 3 Pg 2.2 Sht 2 of 2