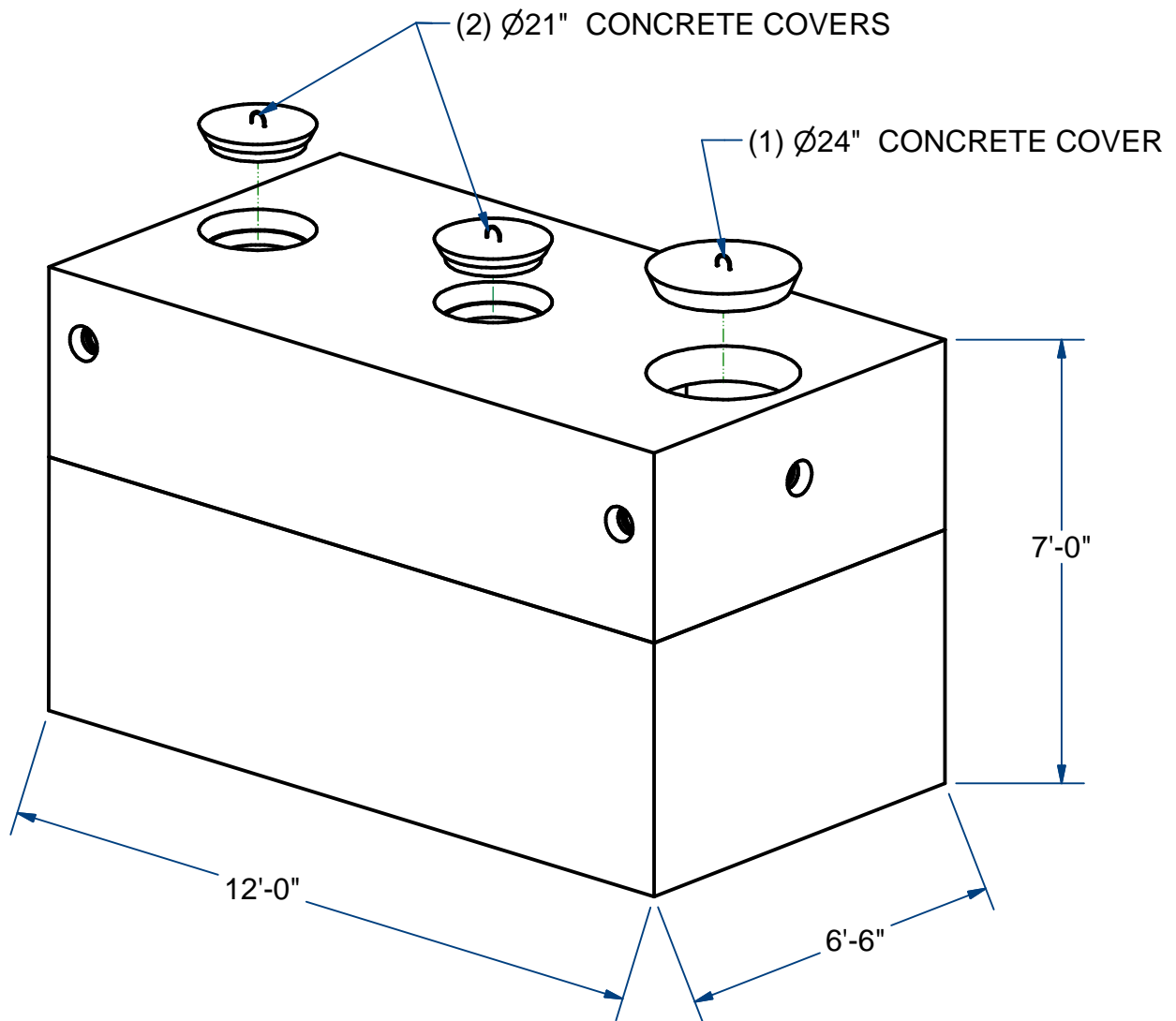


NOTES:

- 1.) SEAM SEALED WITH FLEXIBLE BUTYL RUBBER SEALANT.



**SEPTIC TANK-PUMP CHAMBER,
LOW PROFILE**

H10

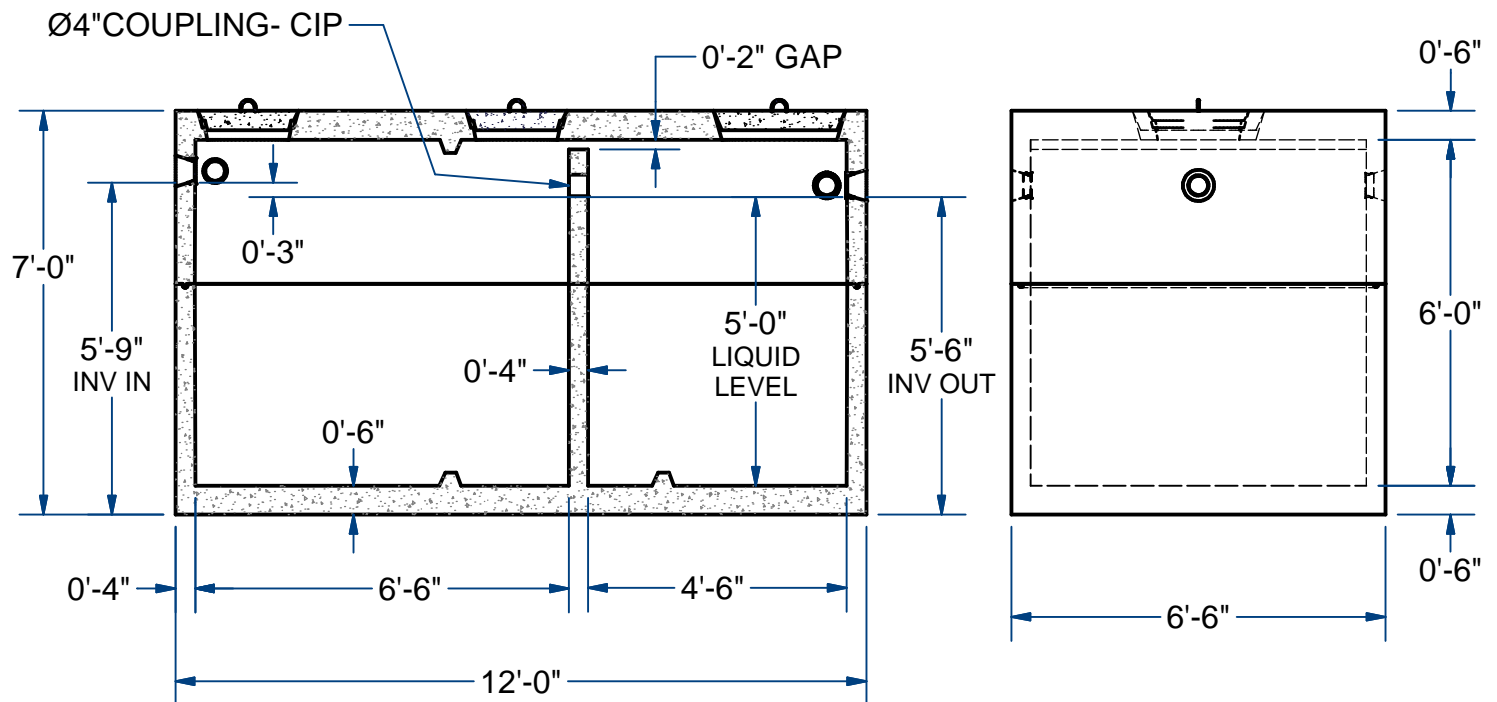
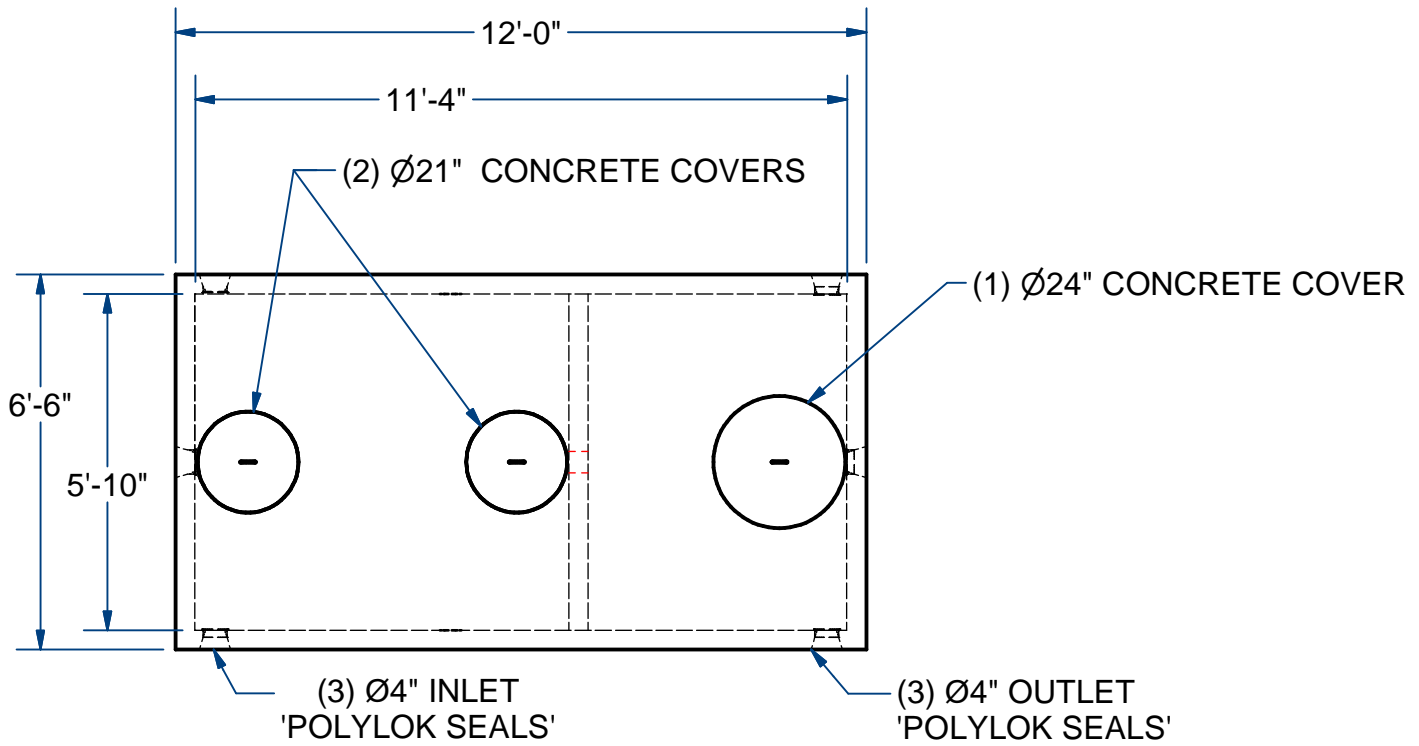
2,500 Gallons

ACME-SHOREY

PRECAST CONCRETE PRODUCTS

NOTES:

- 1.) SEAM SEALED WITH FLEXIBLE BUTYL RUBBER SEALANT.



NAME: SEPTIC TANK-PUMP CHAMBER, 2500 Gallon H-10

ITEM# STPC25LP

Concrete Minimum Strength: 4,000 p.s.i. at 28 days
 Steel Reinforcement: ASTM A615, Grade 60
 Design Loading: standard units - AASHTO - H10

TOP 11,000 Lbs
 BOTTOM 13,000 Lbs

C

DATE: 3-12-2019