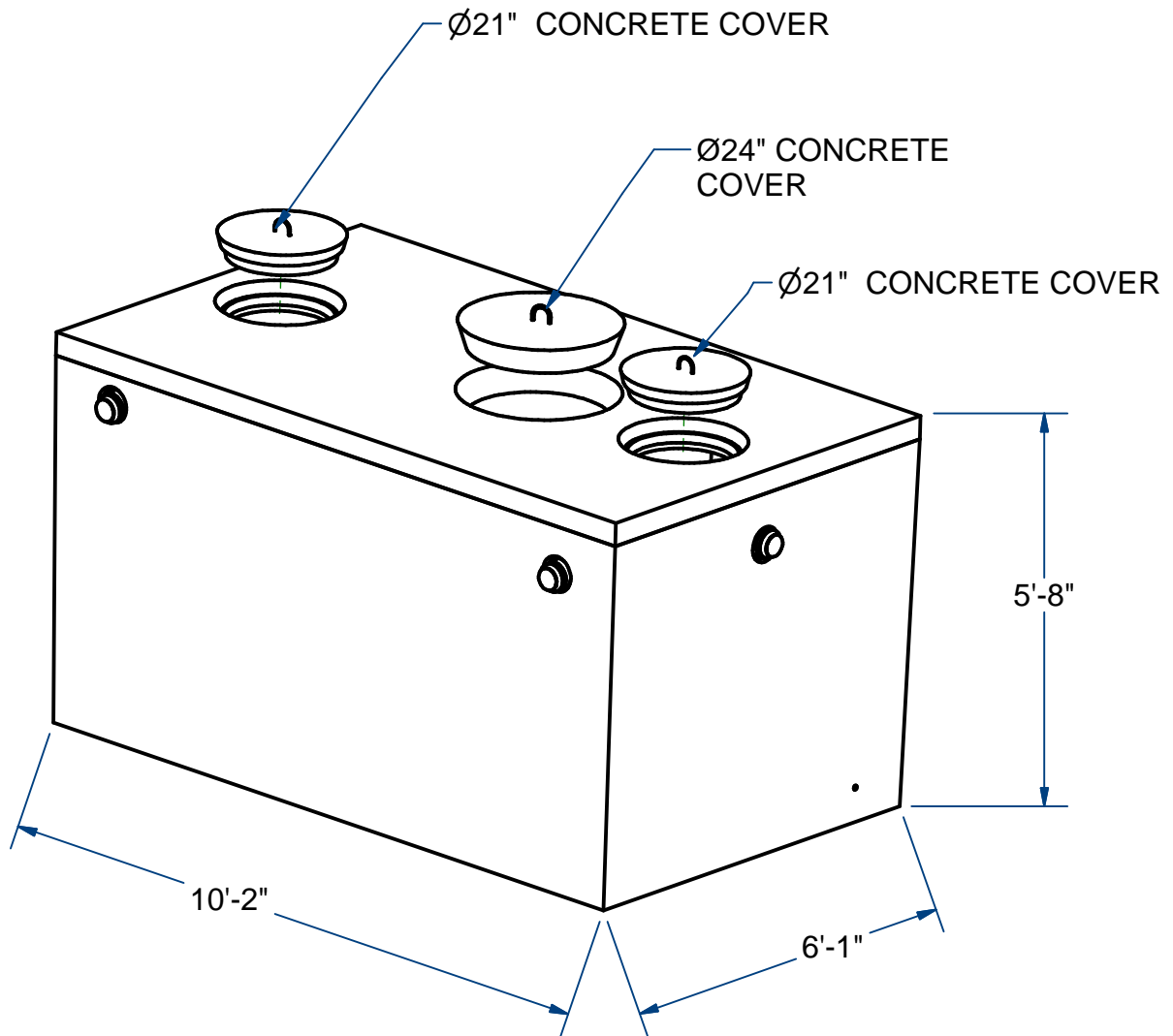


NOTES:
1.) SEAM SEALED WITH FLEXIBLE BUTYL RUBBER SEALANT.



SEPTIC TANK - SEPTIC TANK, MONO

H10

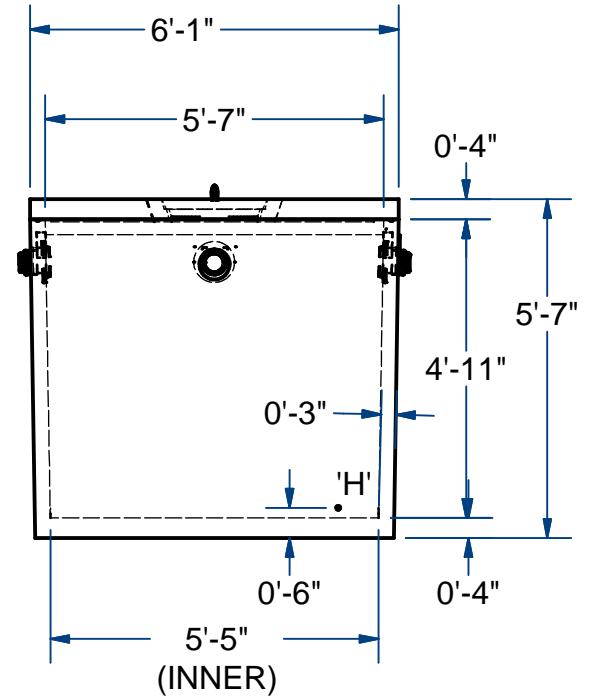
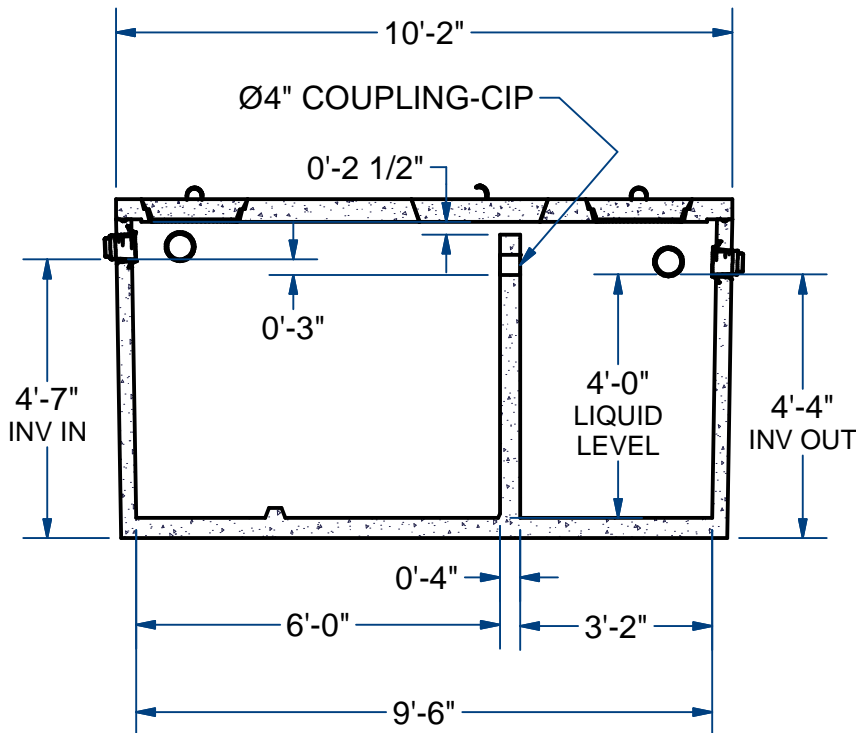
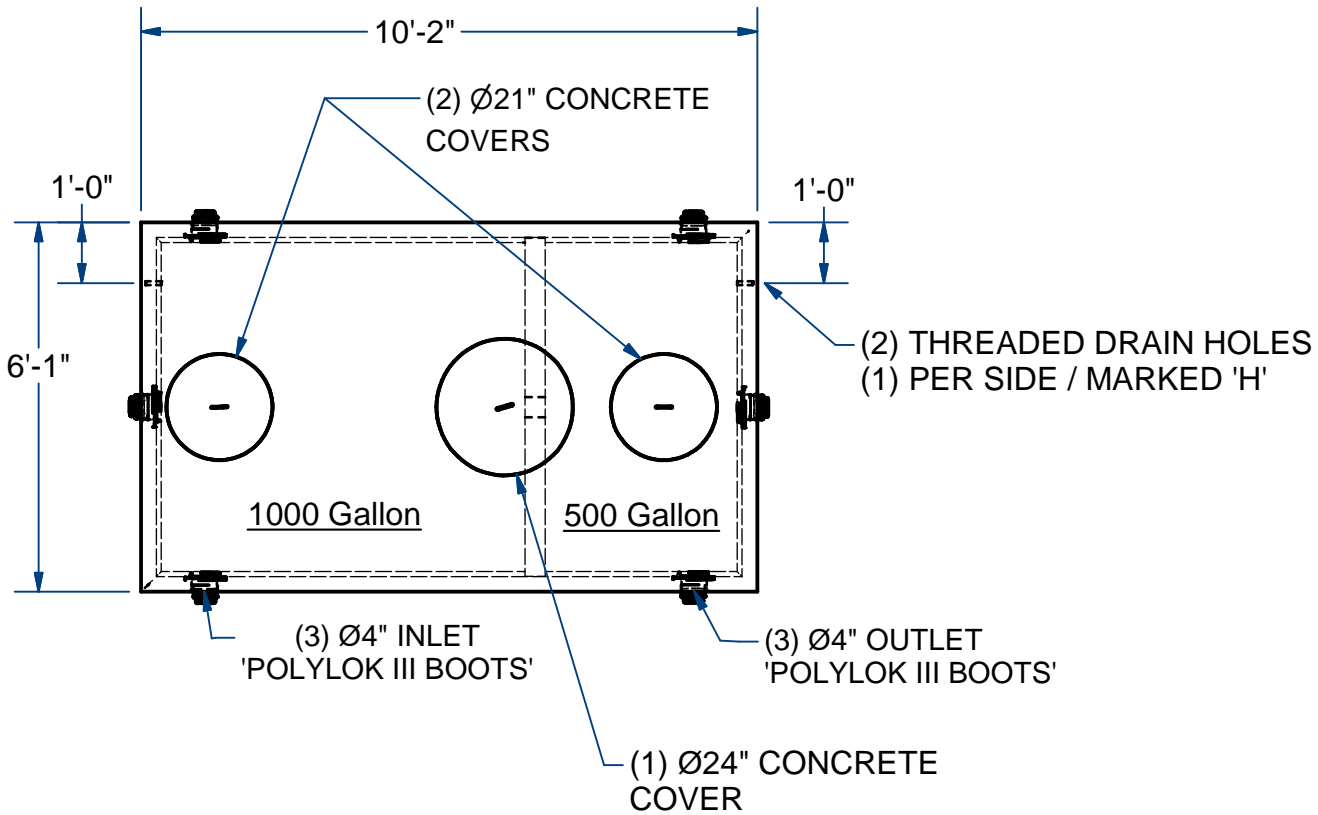
1500 Gallon

ACME-SHOREY

PRECAST CONCRETE PRODUCTS

NOTES:

1.) SEAM SEALED WITH FLEXIBLE BUTYL RUBBER SEALANT.



NAME: SEPTIC TANK-SEPTIC TANK, 1500G, MONO

H-10

ITEM# STST15MH

Concrete Minimum Strength: 4,000 p.s.i. at 28 days
 Steel Reinforcement: ASTM A615, Grade 60
 Design Loading: standard units - AASHTO - H10

TOP 3,250 Lbs
 BOTTOM 10,750 Lbs

H

DATE: 3-23-23

Ch 3 Pg 1.3 Sht 2 of 2