

# ACME-SHOREY

PRECAST CONCRETE PRODUCTS

WWW.ACME-SHOREY.COM

PHONE (508) 548-9607

FAX (508) 548-1664

CARVER, MA

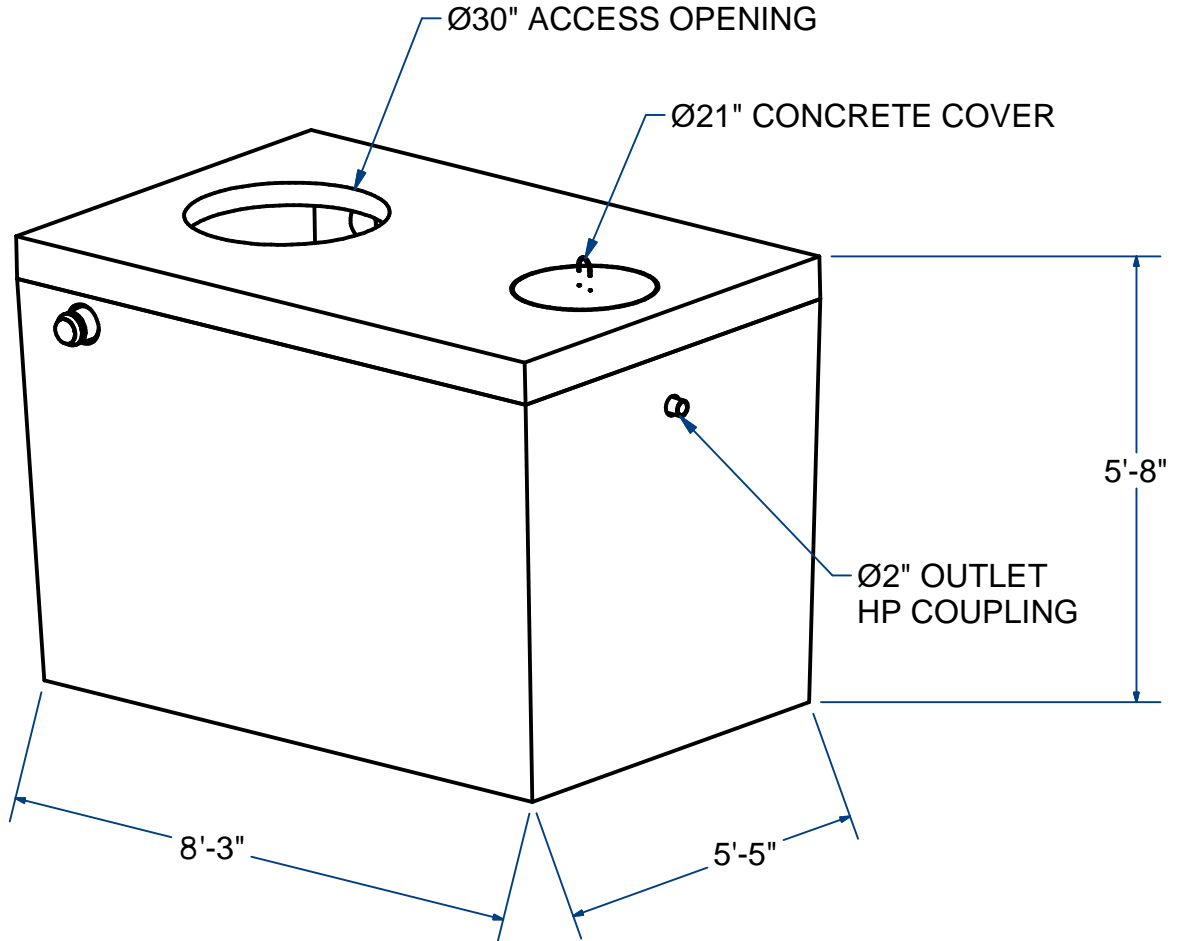
334 TREMONT STREET

HARWICH, MA

36 GREAT WESTERN ROAD

### NOTES:

- 1.) SEAM SEALED WITH FLEXIBLE BUTYL RUBBER SEALANT.



## STaar .50 SEPTIC TANK, MONOLITHIC, 2-COMPARTMENT

(SEPTI-TECH M400D PROCESSOR)

1,000 Gallon

H10

FOR PROCESS INFO  
PLEASE CONTACT:

DISTRIBUTOR  
J&R Sales & Service  
Raynham, Ma 02767  
(207) 333-6940  
www.jrsalesinc.com



ITEM# STaar.50-10M

Wt. 9,880 Lbs

7 -6.1

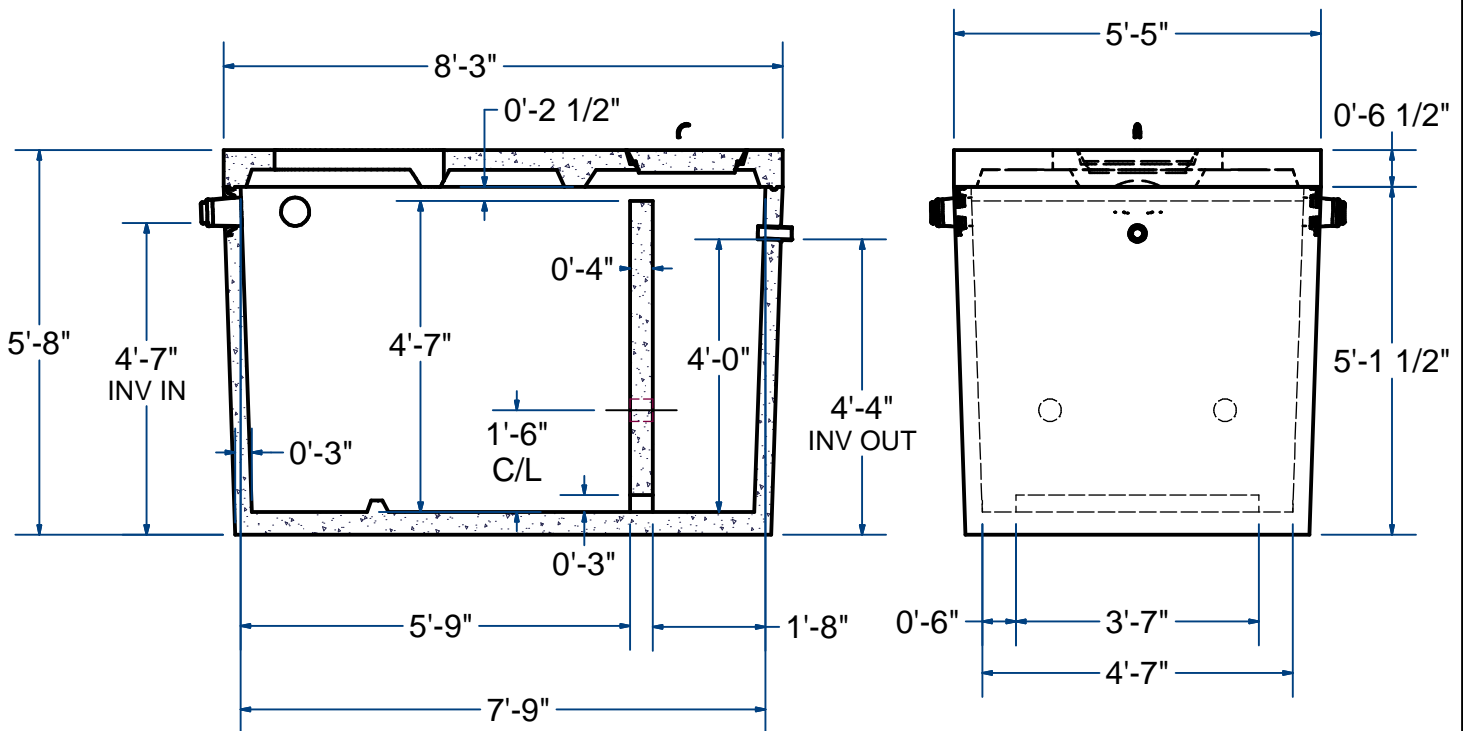
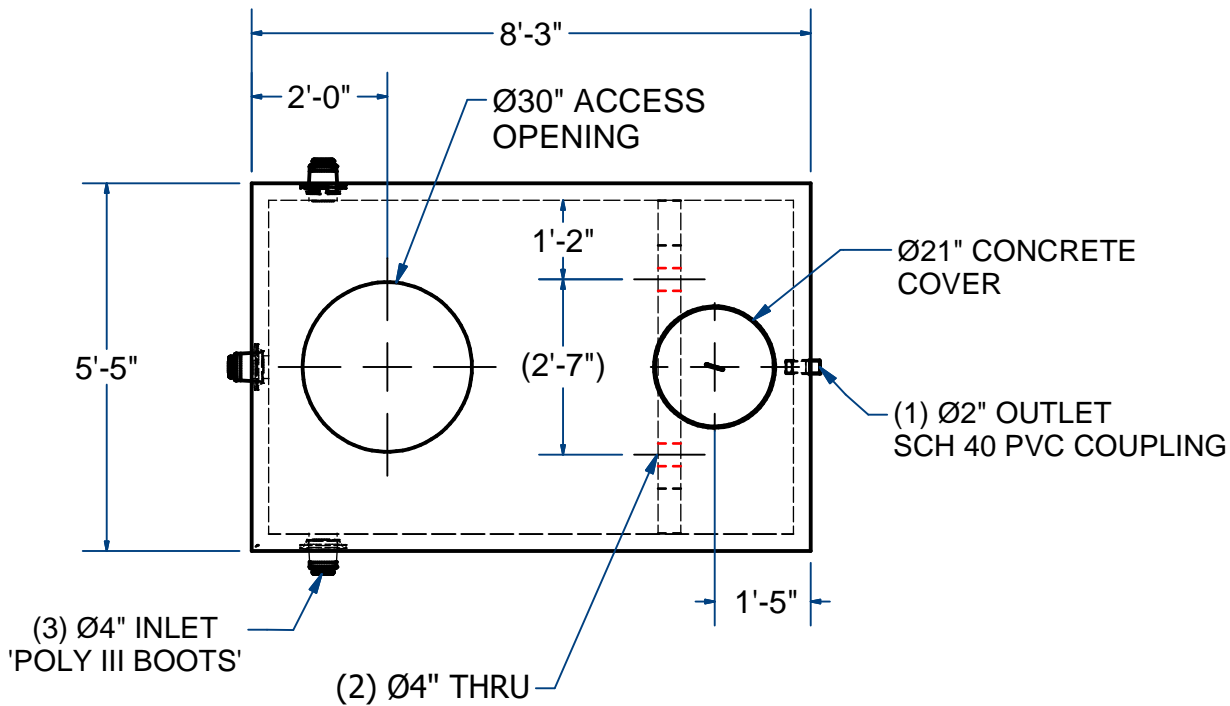
Sht 1 of 2

# ACME-SHOREY

PRECAST CONCRETE PRODUCTS

## NOTES:

- 1.) SEAM SEALED WITH FLEXIBLE BUTYL RUBBER SEALANT.
- 2.) SIMILAR SEPTI TECH MODEL #STM40D10MP



**NAME:** STaar .50 SEPTIC TANK, 1,000 Gallon, MONO  
(M400D PROCESSOR)

**H-10** ITEM# STaar.50-10M

Concrete Minimum Strength: 4,000 p.s.i. at 28 days  
Steel Reinforcement: ASTM A615, Grade 60  
Design Loading: standard units - AASHTO - H10

TOP 2,180 Lbs  
BOTTOM 7,700 Lbs

H DATE: 5-24-21  
Ch 7 Pg 6.1 Sht 2 of 2