

ACME-SHOREY

PRECAST CONCRETE PRODUCTS

WWW.ACME-SHOREY.COM

PHONE (508) 548-9607

FAX (508) 548-1664

CARVER, MA

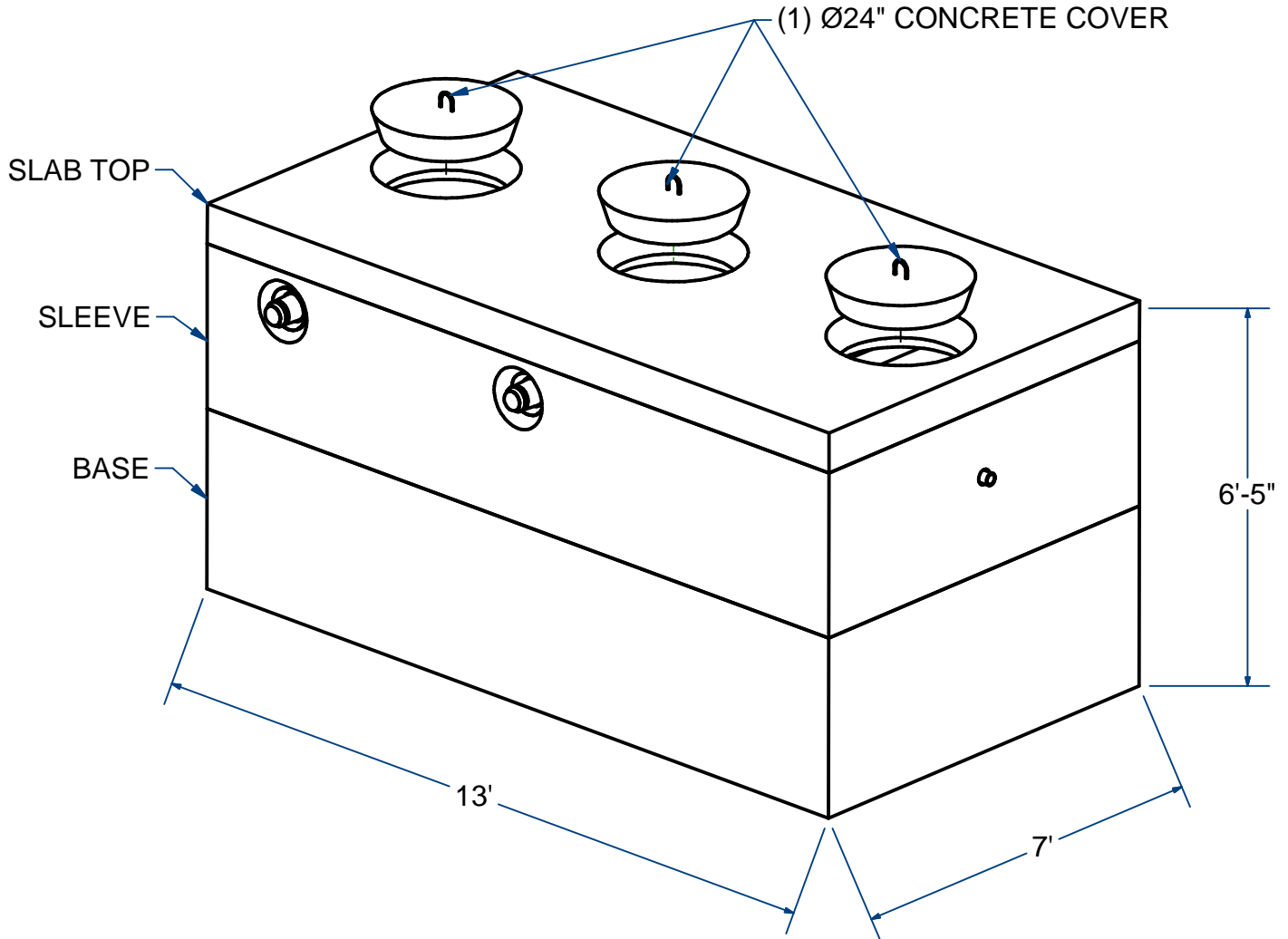
334 TREMONT STREET

HARWICH, MA

36 GREAT WESTERN ROAD

NOTES:

- 1.) SEAM SEALED WITH FLEXIBLE BUTYL RUBBER SEALANT.
- 2.) 3-PIECE DESIGN WITH SLABTOP. (FOR INSTALLATION PURPOSES).



STaar1.2 SEPTIC TANK (2-COMPARTMENT)

(SEPTI-TECH M1200D PROCESSOR)

2,000 GALLON
H2O

FOR PROCESS INFO
PLEASE CONTACT:

DISTRIBUTOR
J&R Sales & Service
Raynham, Ma 02767
(207) 333-6940
www.jrsalesinc.com



ITEM# **STaar1.2-202**

Wt. 31,750 Lbs

14-3.3

Sht 1 of 2

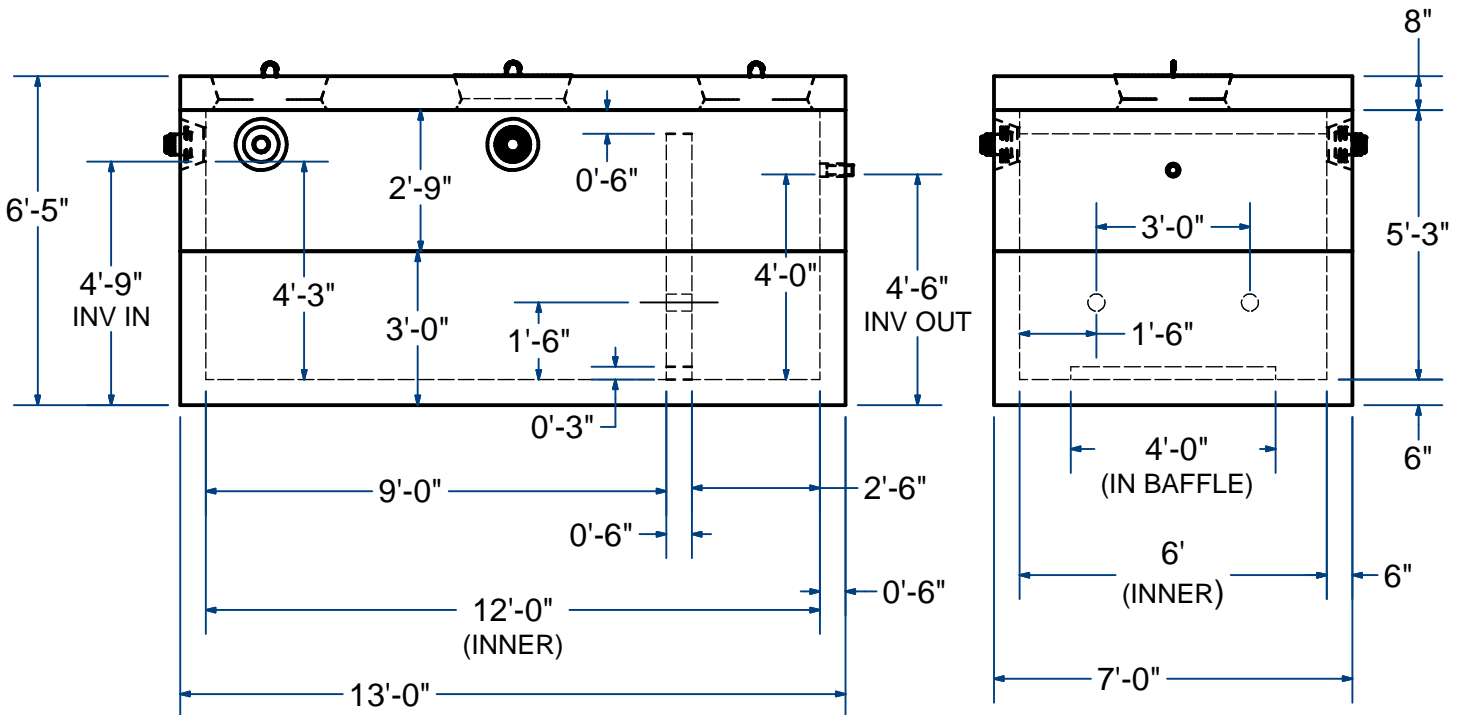
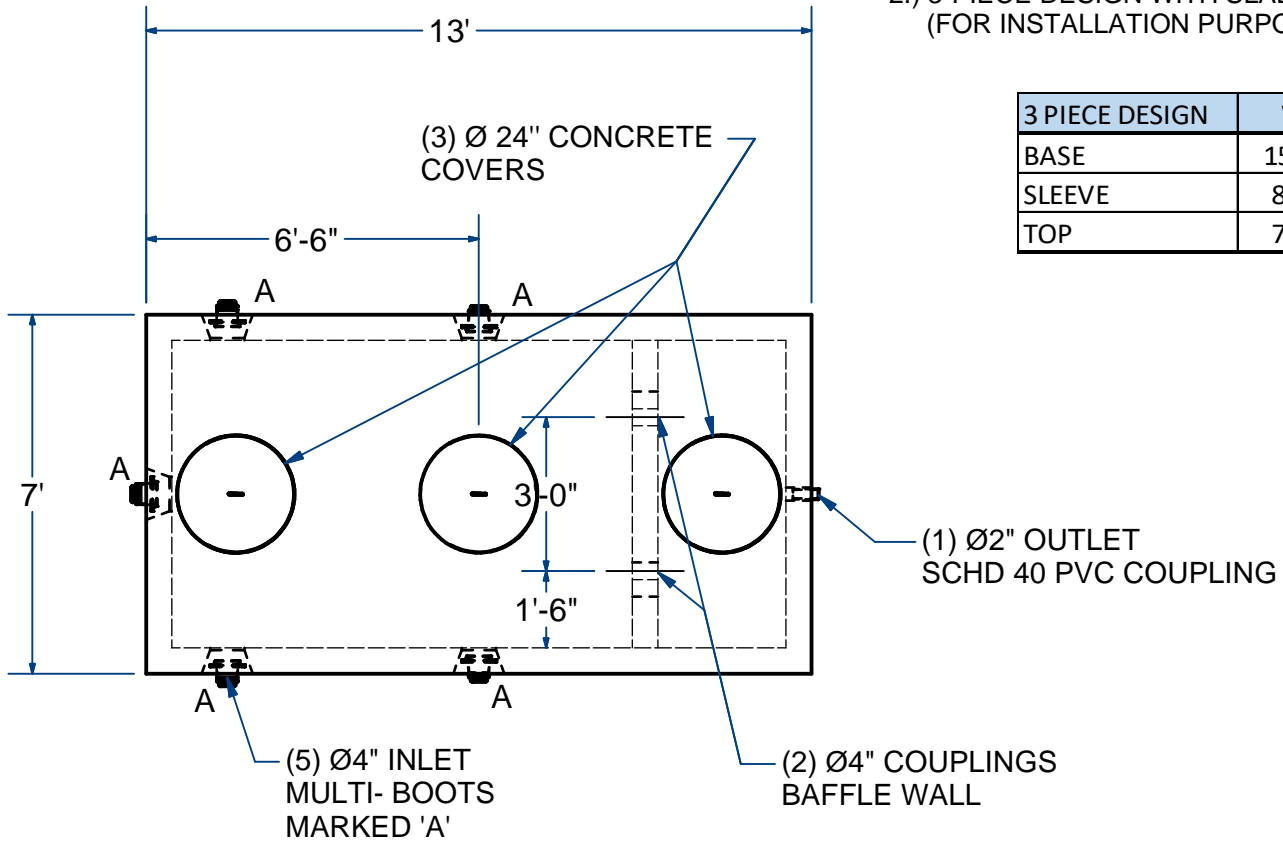
ACME-SHOREY

PRECAST CONCRETE PRODUCTS

NOTES:

- 1.) SEAM SEALED WITH FLEXIBLE BUTYL RUBBER SEALANT.
- 2.) 3-PIECE DESIGN WITH SLABTOP. (FOR INSTALLATION PURPOSES).

3 PIECE DESIGN	Wt.
BASE	15,500
SLEEVE	8,500
TOP	7,750



NAME: STaar1.2 SEPTIC TANK, 2000 Gallon
(SEPTI-TECH M1200D PROCESSOR)

H-20 ITEM# STaar1.2-202

Concrete Minimum Strength: 5,000 p.s.i. at 28 days
Steel Reinforcement: ASTM A615, Grade 60
Design Loading: standard units - AASHTO - H20

WEIGHT 31,750 Lbs

C

DATE: 5-20-2021

Ch 14 Pg 3.3 Sht 2 of 2