

ACME-SHOREY

PRECAST CONCRETE PRODUCTS

WWW.ACMESHOREY.COM

PHONE (508) 548-9607

FAX (508) 548-1664

CARVER, MA

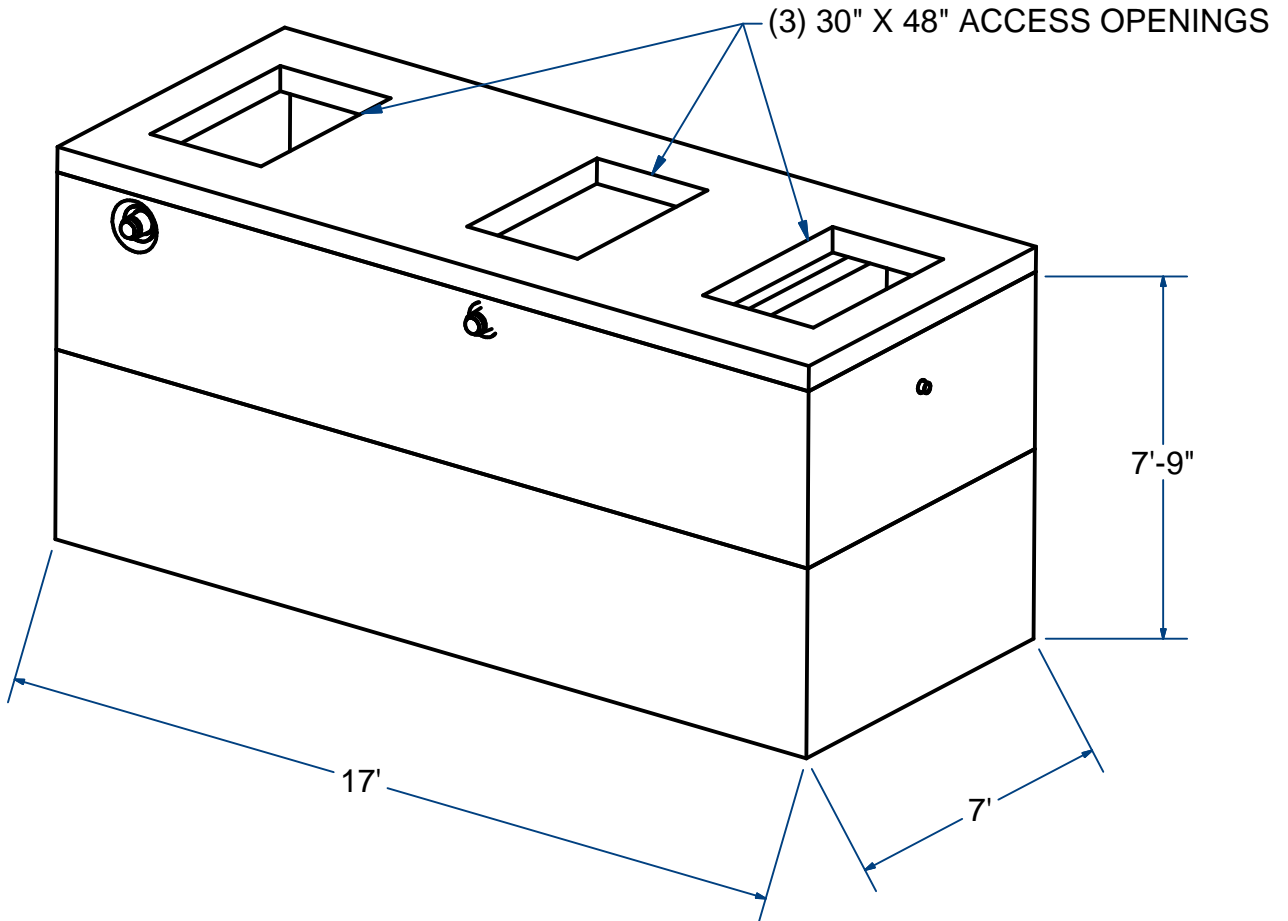
334 TREMONT STREET

HARWICH, MA

36 GREAT WESTERN ROAD

NOTES:

- 1.) SEAM SEALED WITH FLEXIBLE BUTYL RUBBER SEALANT.
- 2.) 3-PIECE DESIGN WITH SLABTOP.



STaar 1.5 SEPTIC TANK , 7' x 17' (2-COMPARTMENT)

(SEPTI-TECH M1500D PROCESSOR)

4000 Gallon
H2O

FOR PROCESS INFO
PLEASE CONTACT:

DISTRIBUTOR
J&R Sales & Service
Raynham, Ma 02767
(207) 333-6940
www.jrsalesinc.com



ITEM# STaar1.5-740

Wt. 43,500 Lbs

14-3.4

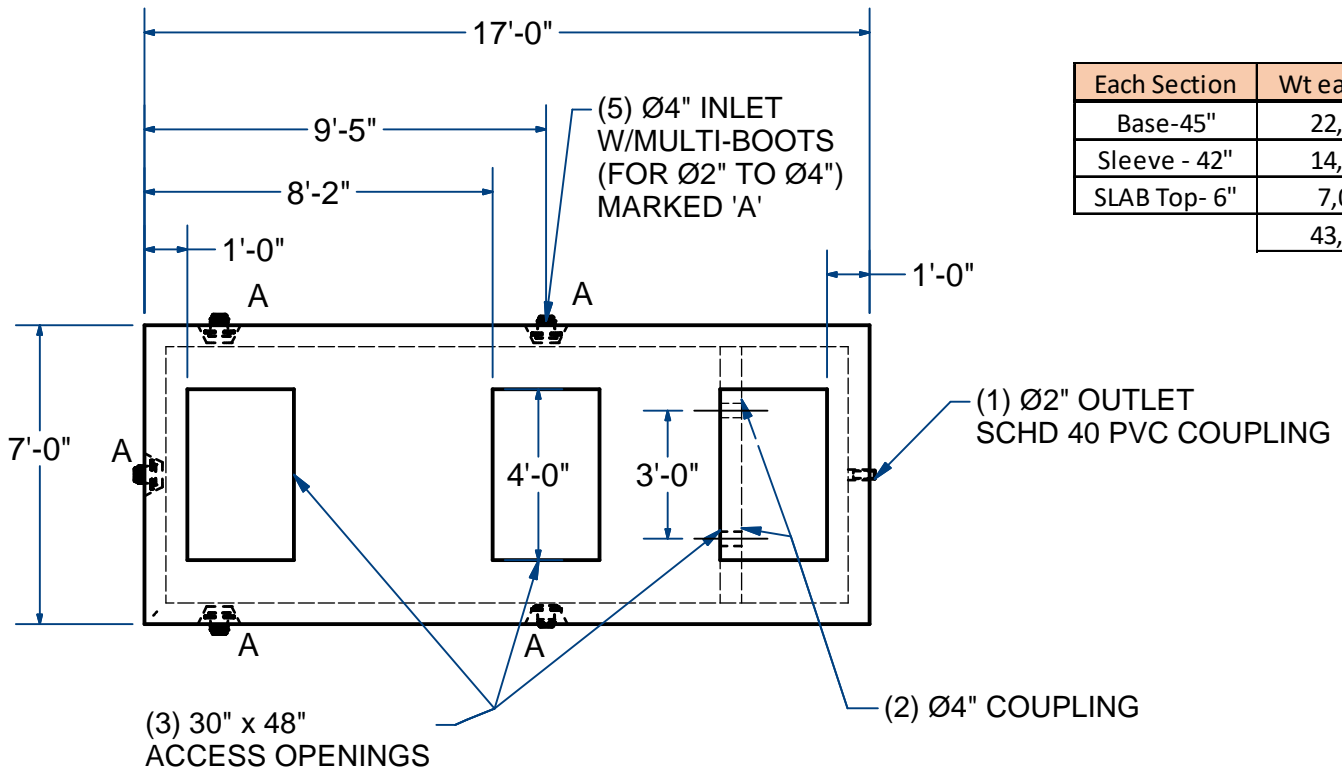
Sht 1 of 2

ACME-SHOREY

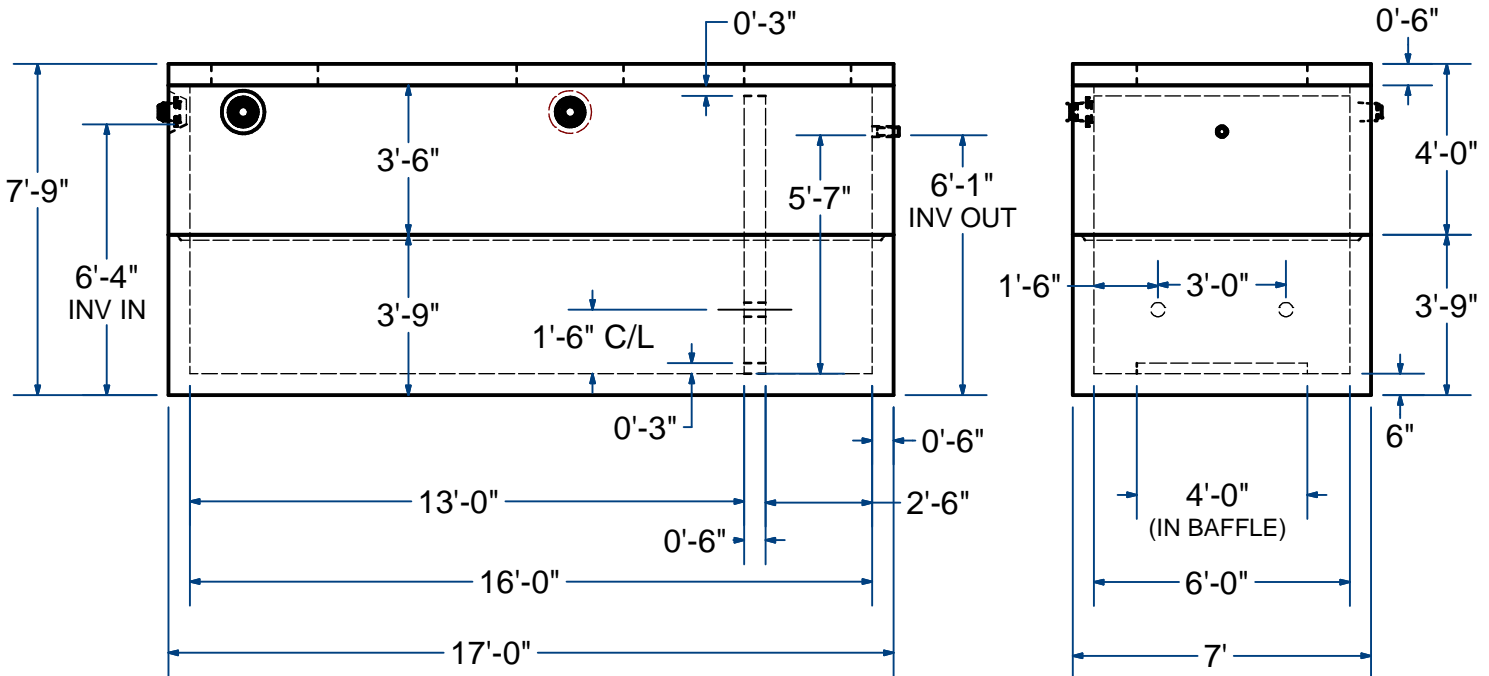
PRECAST CONCRETE PRODUCTS

NOTES:

- 1.) SEAM SEALED WITH FLEXIBLE BUTYL RUBBER SEALANT.
- 2.) 3-PIECE DESIGN WITH SLABTOP.



Each Section	Wt ea. (Lbs)
Base-45"	22,000
Sleeve - 42"	14,500
SLAB Top- 6"	7,000
	43,500



NAME: STaar1.5 SEPTIC TANK. 4000 Gallon
(SEPTIC-TECH M1500D PROCESSOR)

H-20

ITEM# STaar1.5-740

Concrete Minimum Strength: 5,000 p.s.i. at 28 days
Steel Reinforcement: ASTM A615, Grade 60
Design Loading: standard units - AASHTO - H20

WEIGHT 43,500 Lbs

H

DATE: 2-24-2021

Ch 14 Pg 3.4 Sht 2 of 2