

# ACME-SHOREY

PRECAST CONCRETE PRODUCTS

WWW.ACME-SHOREY.COM

PHONE (508) 548-9607

FAX (508) 548-1664

CARVER, MA

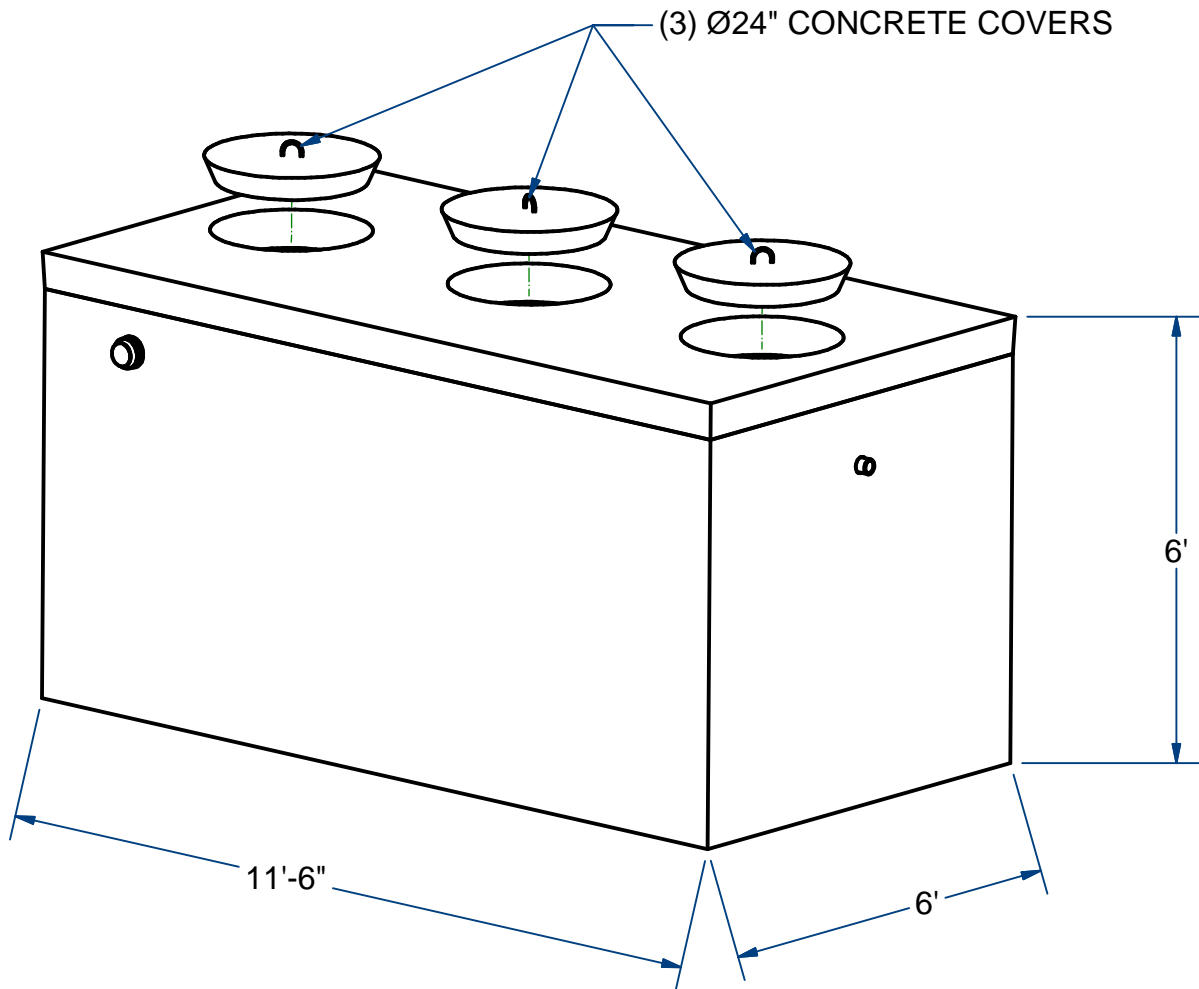
334 TREMONT STREET

HARWICH, MA

36 GREAT WESTERN ROAD

### NOTES:

- 1.) SEAM SEALED WITH FLEXIBLE BUTYL RUBBER SEALANT.
- 2.) STaar .75 Size USES A M550 PROCESSOR IN A 1500 Gallon Tank.  
STaar 1.0 Size USES A M750 PROCESSOR IN A 1500 Gallon Tank.



## STaar SEPTIC TANK,(MODEL'S .75 & 1.0) (2 COMPARTMENT)

1,500 Gallon

H20

FOR PROCESS INFO  
PLEASE CONTACT:

DISTRIBUTOR  
J&R Sales & Service  
Raynham, Ma 02767  
(207) 333-6940  
www.jrsalesinc.com



ITEM# STaar152M

Wt. 23,800 Lbs

14-3.2

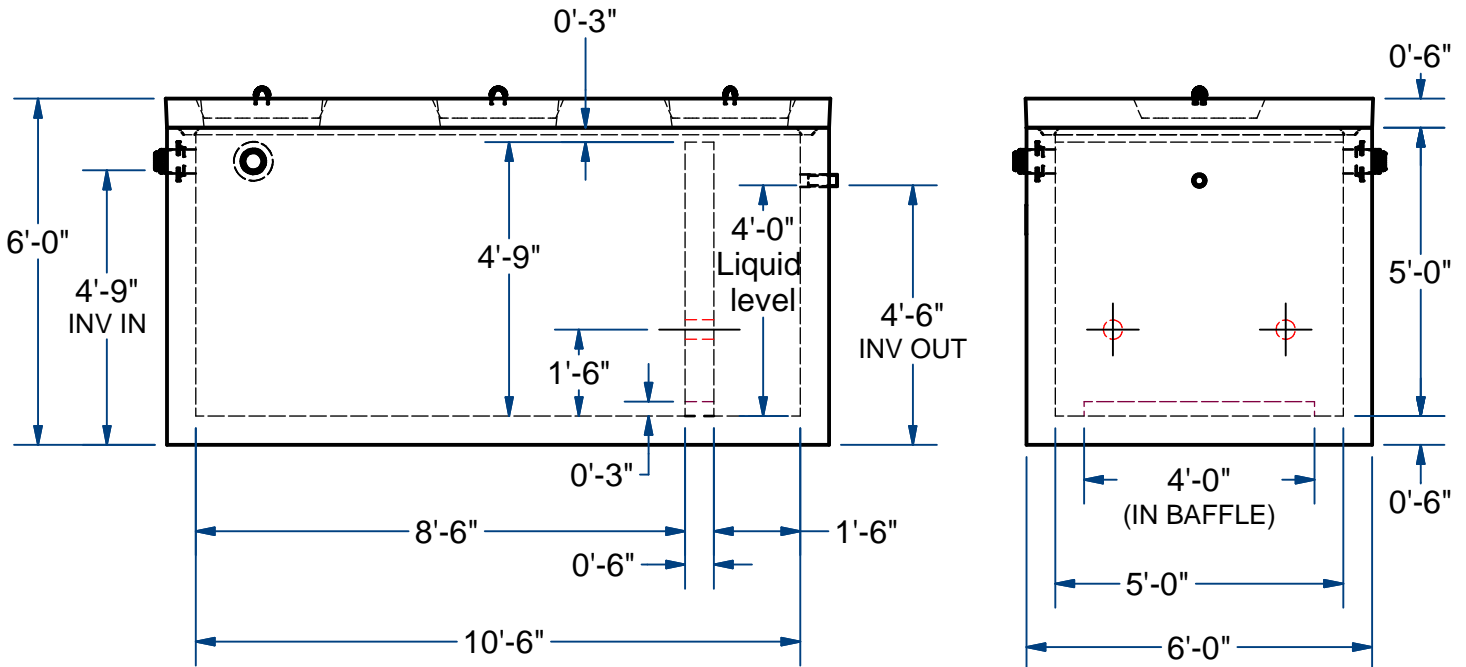
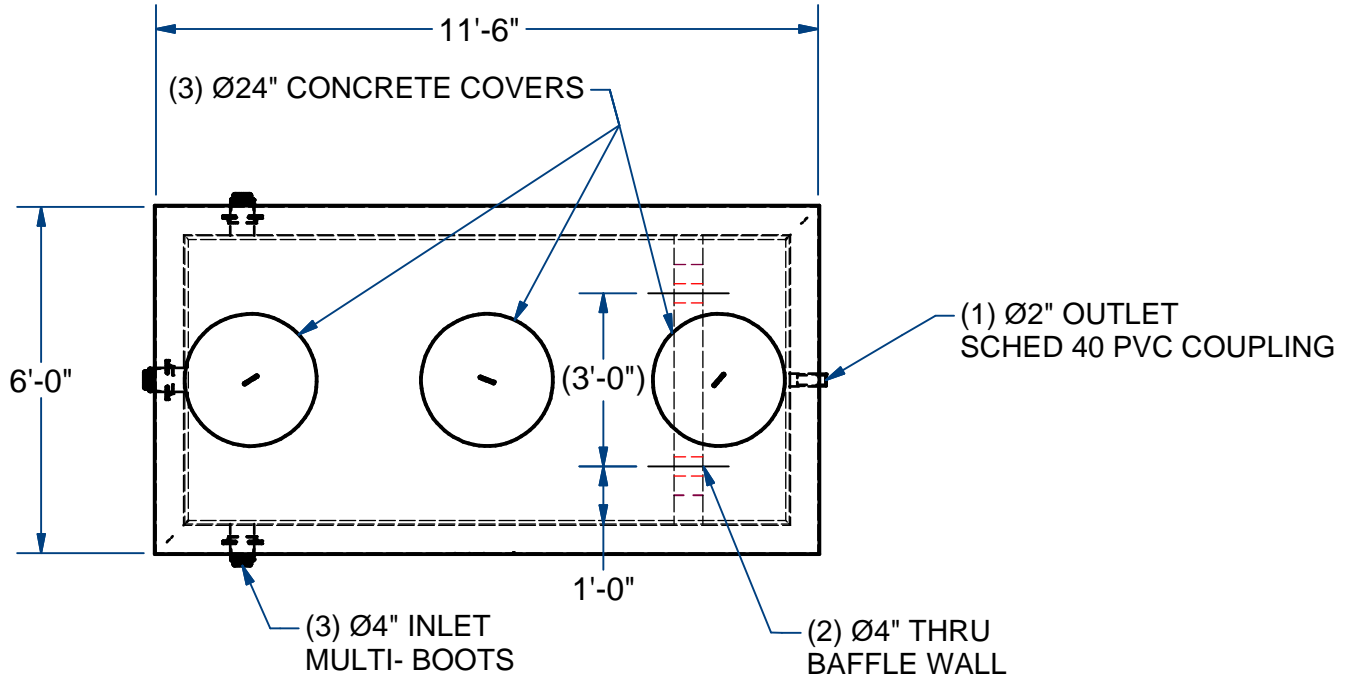
Sht 1 of 2

# ACME-SHOREY

PRECAST CONCRETE PRODUCTS

## NOTES:

- 1.) SEAM SEALED WITH FLEXIBLE BUTYL RUBBER SEALANT.
- 2.) STaar .75 Size USES A M550 PROCESSOR IN A 1500 Gallon Tank.  
STaar 1.0 Size USES A M750 PROCESSOR IN A 1500 Gallon Tank.



**NAME:** STaar SEPTIC TANK, MONO, 1,500 Gallon  
(ACCOMODATES MODELS .75 & 1.0)

**H-20** ITEM# STaar152M

Concrete Minimum Strength: 5,000 p.s.i. at 28 days  
Steel Reinforcement: ASTM A615, Grade 60  
Design Loading: standard units - AASHTO - H20

TOP 4,700 Lbs  
BOTTOM 19,100 Lbs

C DATE: 8-14-2019  
Ch 14 Pg 3.2 Sht 2 of 2