

ACME-SHOREY

PRECAST CONCRETE PRODUCTS

WWW.ACMESHOREY.COM

PHONE (508) 548-9607

FAX (508) 548-1664

CARVER, MA

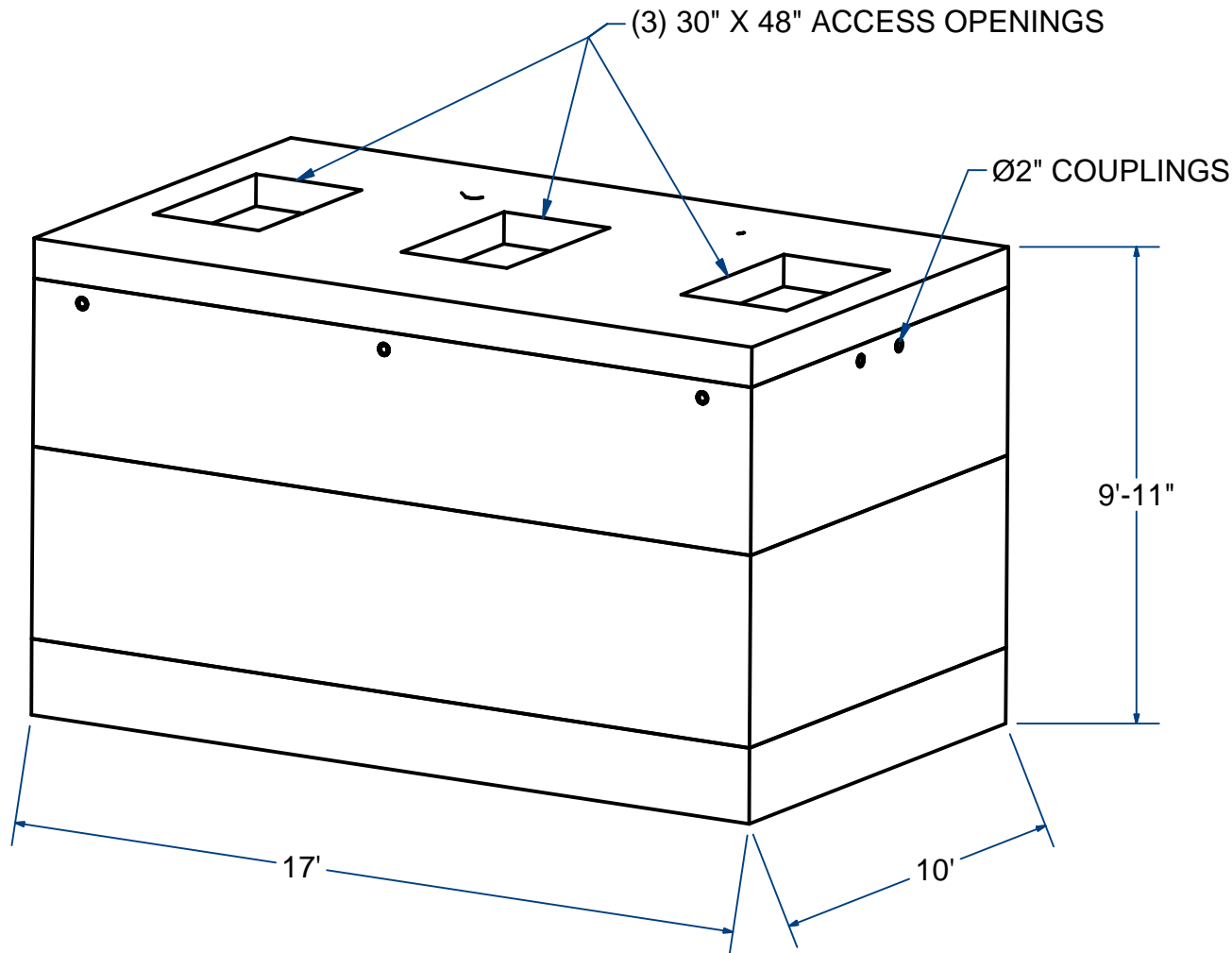
334 TREMONT STREET

HARWICH, MA

36 GREAT WESTERN ROAD

NOTES:

- 1.) SEAM SEALED WITH FLEXIBLE BUTYL RUBBER SEALANT.



STaar4.5 SEPTIC TANK, 10' X 17' (3-COMPARTMENT)

(SEPTI-TECH M3000D PROCESSOR)

8000 Gallon
H2O

FOR PROCESS INFO
PLEASE CONTACT:

DISTRIBUTOR
J&R Sales & Service
Raynham, Ma 02767
(207) 333-6940
www.jrsalesinc.com



ITEM# STaar4.5-1008

Wt. 78,850 Lbs

14-3.6

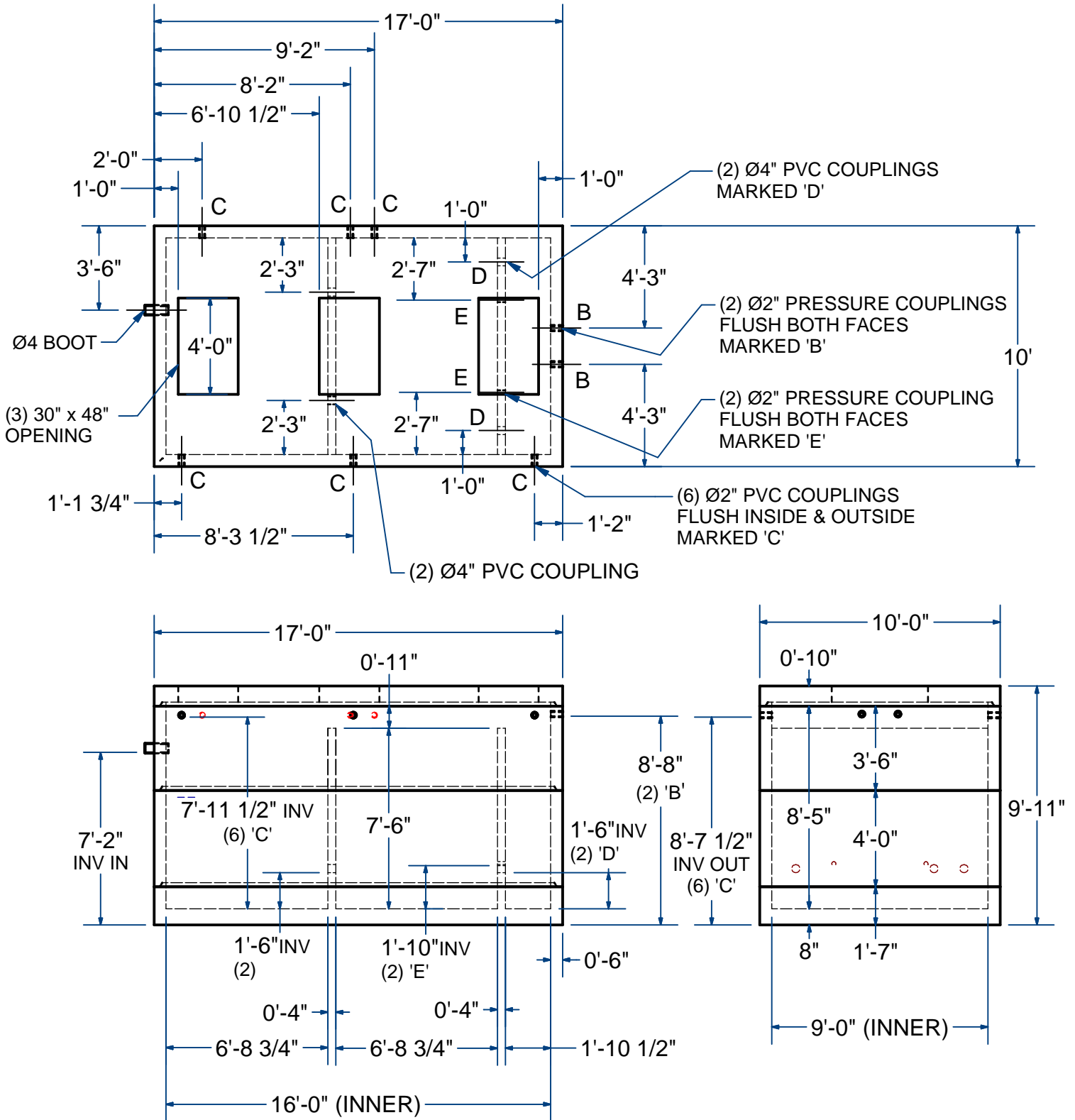
Sht 1 of 2

ACME-SHOREY

PRECAST CONCRETE PRODUCTS

NOTES:

1.) SEAM SEALED WITH FLEXIBLE BUTYL RUBBER SEALANT.



NAME: STaar4.5 SEPTIC TANK, 8000 Gallon H2O H-20 (SEPTI-TECH M3000 PROCESSOR) **ITEM# STaar4.5-1008**

Concrete Minimum Strength: 5,000 p.s.i. at 28 days
 Steel Reinforcement: ASTM A615, Grade 60
 Design Loading: standard units - AASHTO - H20

WEIGHT 78,850 Lbs

H DATE: 2-10-2021
 Ch 14 Pg 3.6 Sht 2 of 2