

ACME-SHOREY

PRECAST CONCRETE PRODUCTS

WWW.ACMESHOREY.COM

PHONE (508) 548-9607

FAX (508) 548-1664

CARVER, MA

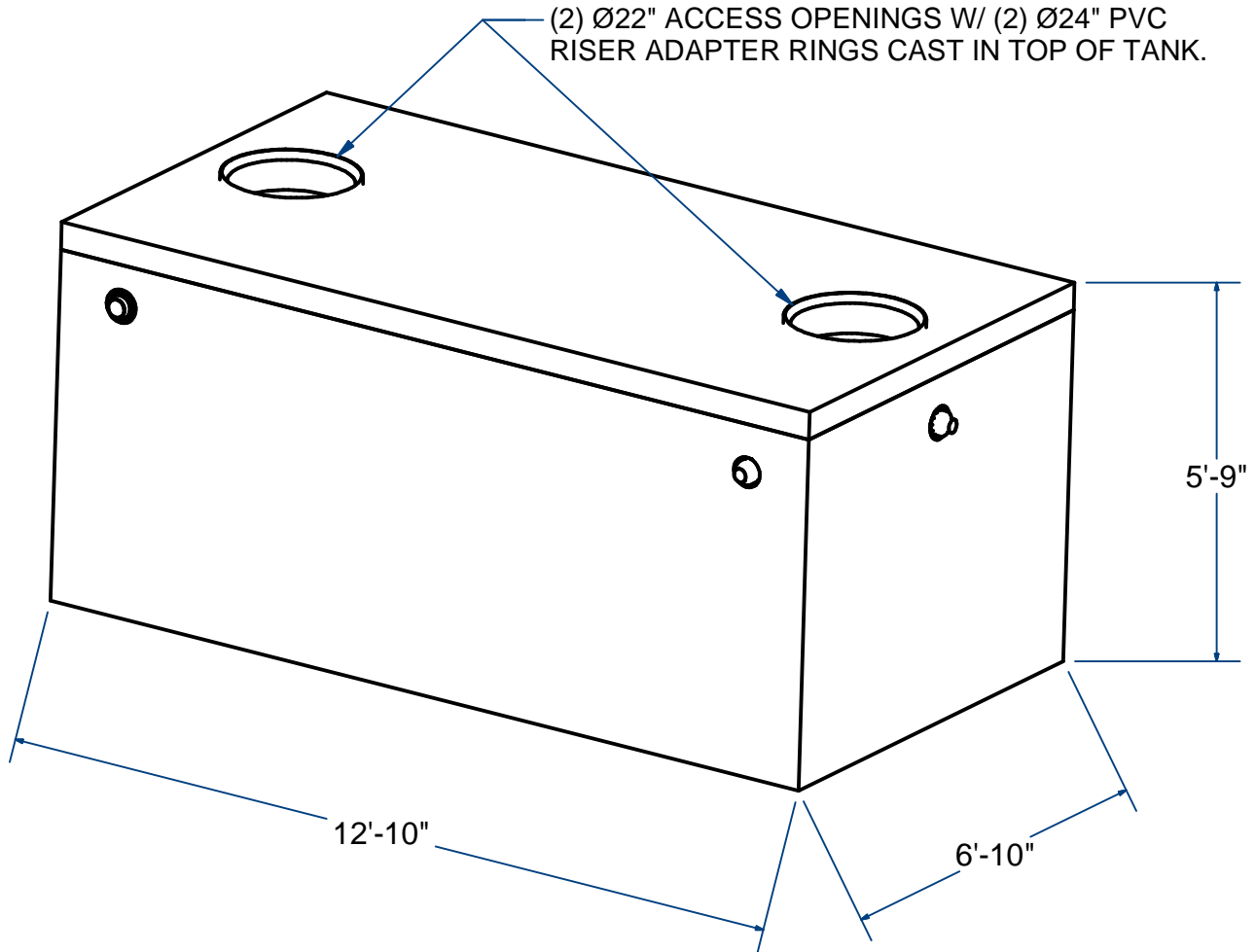
334 TREMONT STREET

HARWICH, MA

36 GREAT WESTERN ROAD

NOTES:

- 1.) SEAM SEALED WITH FLEXIBLE BUTYL RUBBER SEALANT.



WATERLOO BIOFILTER TANK, 2000 Gallons , 2-COMPARTMENT, MONOLITHIC

FOR PROCESS INFO
PLEASE CONTACT:



(866) 366-4329
info@waterloo-biofilter.com
www.waterloo-biofilter.com

2,000 Gallon

H10

ITEM# **WBSTPC155M**

Wt. 22,000 Lbs

7 -8.1

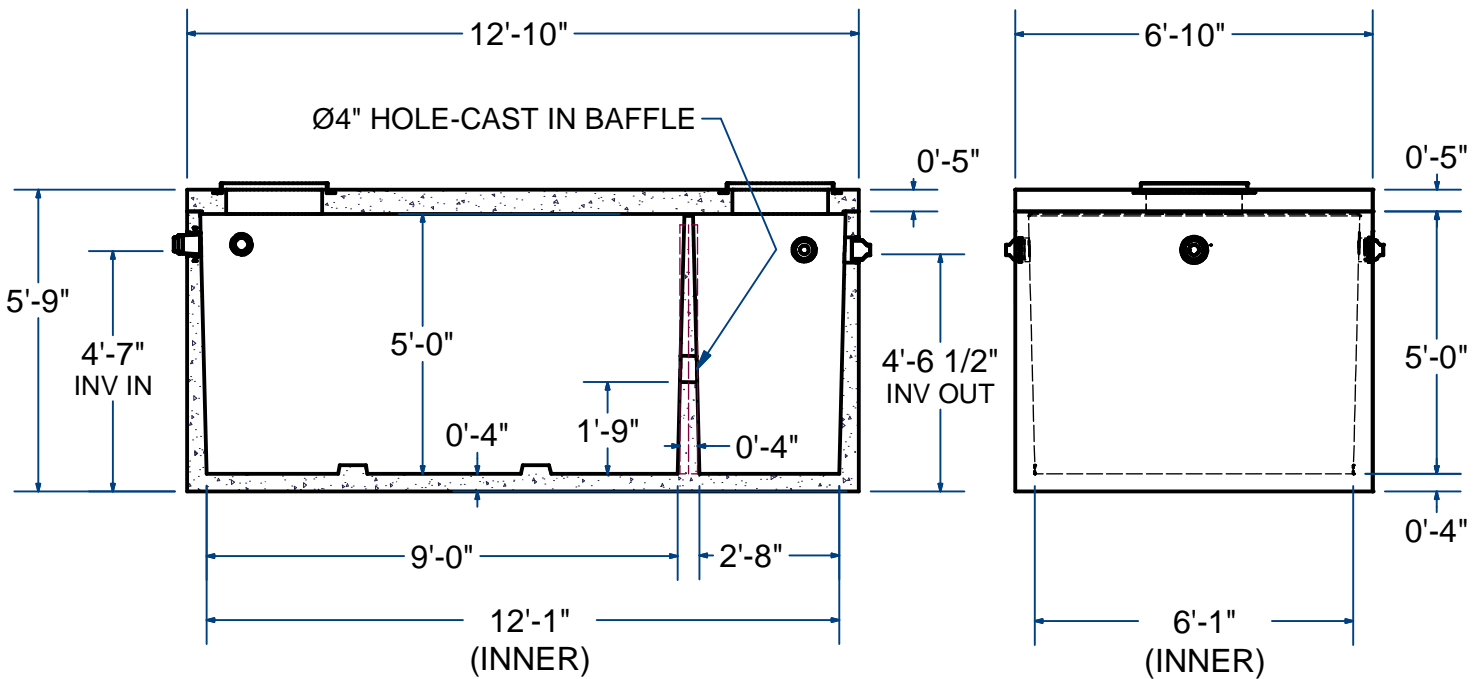
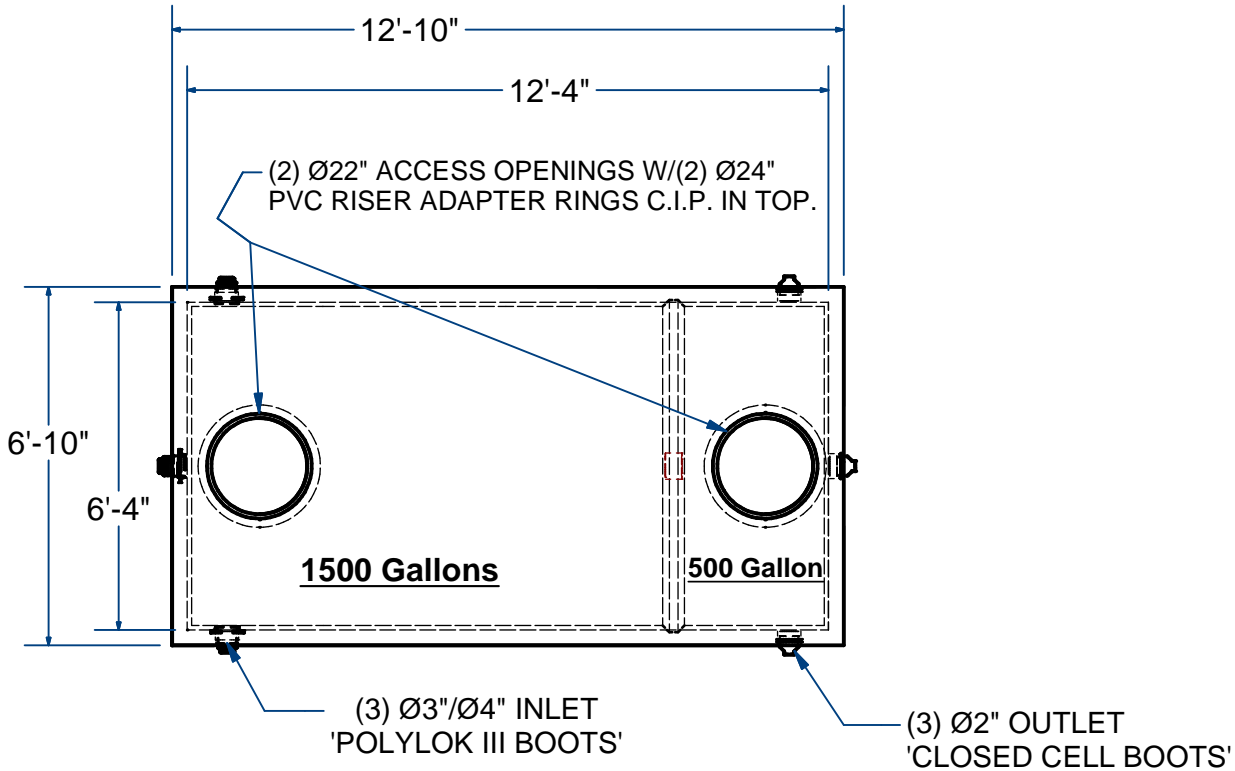
Sht 1 of 2

ACME-SHOREY

PRECAST CONCRETE PRODUCTS

NOTES:

- 1.) SEAM SEALED WITH FLEXIBLE BUTYL RUBBER SEALANT.



NAME: WATERLOO BIOFILTER TANK, 2000G, 2-COMP, MONO H-10

ITEM# WBSTPC155M

Concrete Minimum Strength: 4,000 p.s.i. at 28 days
 Steel Reinforcement: ASTM A615, Grade 60
 Design Loading: standard units - AASHTO - H10

TOP 10,800 Lbs
 BOTTOM 11,200 Lbs

H

DATE: 3-2-2020